

FIGURE 1: TWO HOLE NEMA

LEGEND

PLKTP8515	DB	Ey	
			PAD SIZE & NEMA OPTION
			BI METALLIC MATERIAL CODE "D"= ALUMINUM, "B"=COPPER
			BASIC PART NUMBER

EO190171 BY: C.N. DATE: 5/23/16 E.K.
 EO190225 BY: C.N. DATE: 6/8/16 E.K.

DO NOT SCALE DRAWING

- UNLESS OTHERWISE SPECIFIED -

DECIMALS .XX ±.01"
 .XXX ±.005"
 FRACTIONS ±1/64"
 ANGLES ±0°30'
 MACHINED SURFACES 125/
 "DRILL" HOLES PER AND10387
 PARTS TO BE FREE OF BURRS & SHARP EDGES
 DIMENSIONING AND TOLERANCING PER
 ASME Y14.5M-1994



THIS DRAWING AND THE INFORMATION CONTAINED HEREIN ARE THE PROPERTY OF DMC Power AND SHALL NOT BE COPIED, REPRODUCED OR DISCLOSED WITHOUT EXPRESS AUTHORIZATION BY DMC Power.

DRAWN	DATE
C. NICHOLAS	5/20/2016
CHECKED	DATE
E. KHANSA	5/20/2016
APPROVED	DATE
E. KHANSA	5/20/2016

TITLE

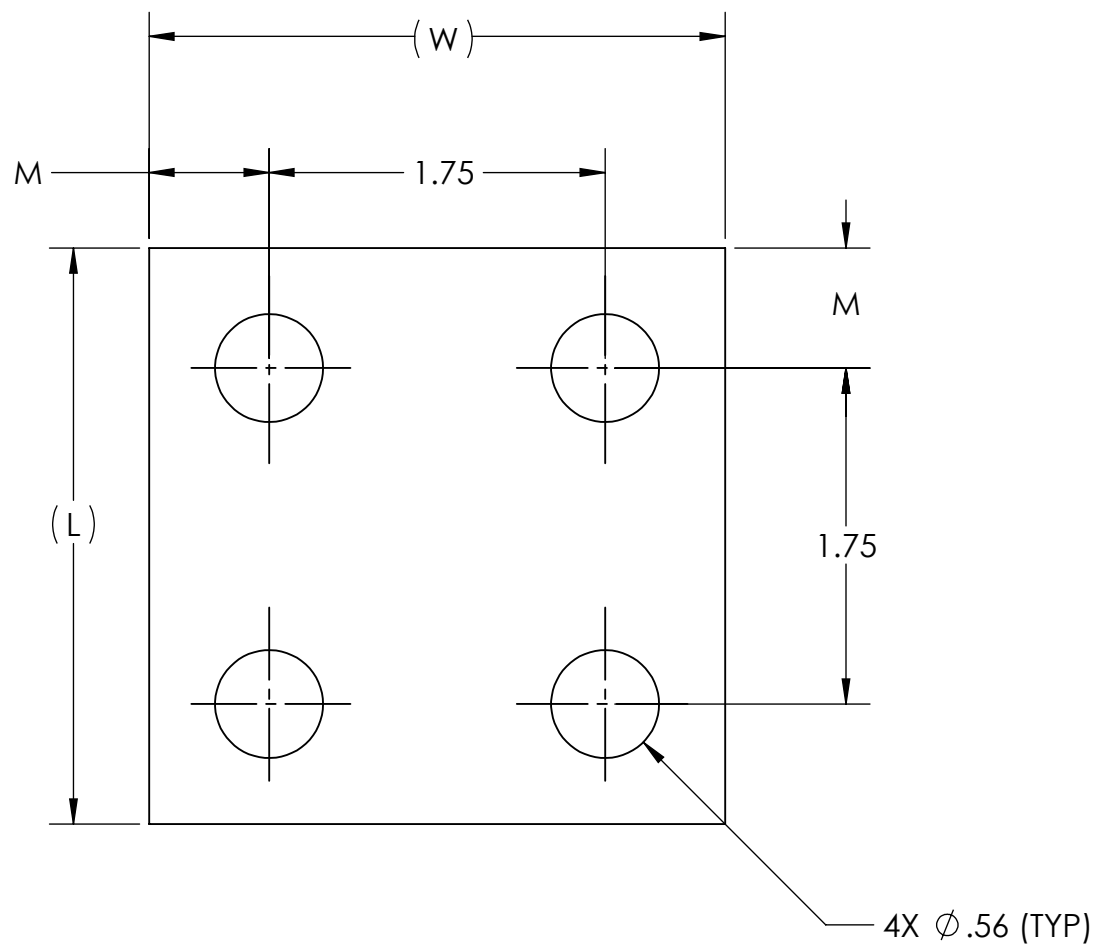
BI METALLIC TRANSITION PLATE

DWG NO

PLKTP8515

SIZE
B

SHEET 1 OF 3



ALUMINUM CONNECTOR TONGUE

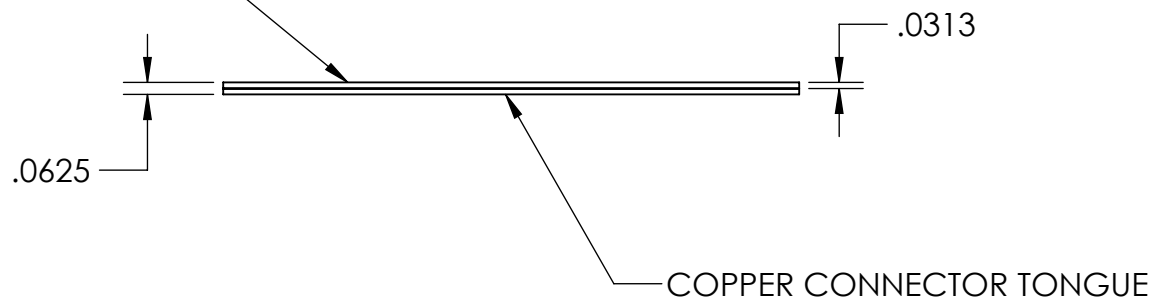


FIGURE 2: FOUR HOLE NEMA

THIS DRAWING AND THE INFORMATION CONTAINED HEREIN ARE THE PROPERTY OF DMC Power AND SHALL NOT BE COPIED, REPRODUCED OR DISCLOSED WITHOUT EXPRESS AUTHORIZATION BY DMC Power.

XX FOR REVISIONS - SEE SHEET 1

TABLE 1: AVAILABLE OPTIONS

PART NUMBER	FIGURE	L	W	M
PLKTP8515DBE1	1	1.500	3.000	.750
PLKTP8515DBE2	1	2.000	3.000	1.00
PLKTP8515DBE3	2	3.000	3.000	0.625
PLKTP8515DBE4	2	4.000	4.000	1.125

TABLE 2: PAD OPTIONS

Ey	NEMA HOLE	PAD SIZE (L)
1	2	1.50
2	2	2.00
3	4	3.00
4	4	4.00

NOTES(UNLESS OTHERWISE NOTES):

1 ALUMINUM PLATE AND COPPER SHEET IN THICKNESS RATIO OF 85:15 MOLECULARLY BONDED INTO HOMOGENOUS MATERIAL

THIS DRAWING AND THE INFORMATION CONTAINED HEREIN ARE THE PROPERTY OF DMC Power AND SHALL NOT BE COPIED, REPRODUCED OR DISCLOSED WITHOUT EXPRESS AUTHORIZATION BY DMC Power.

XX FOR REVISIONS - SEE SHEET 1