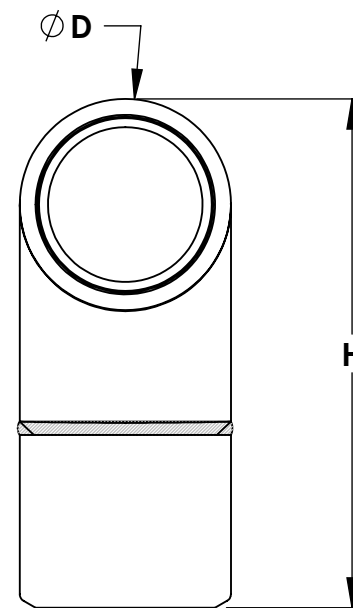
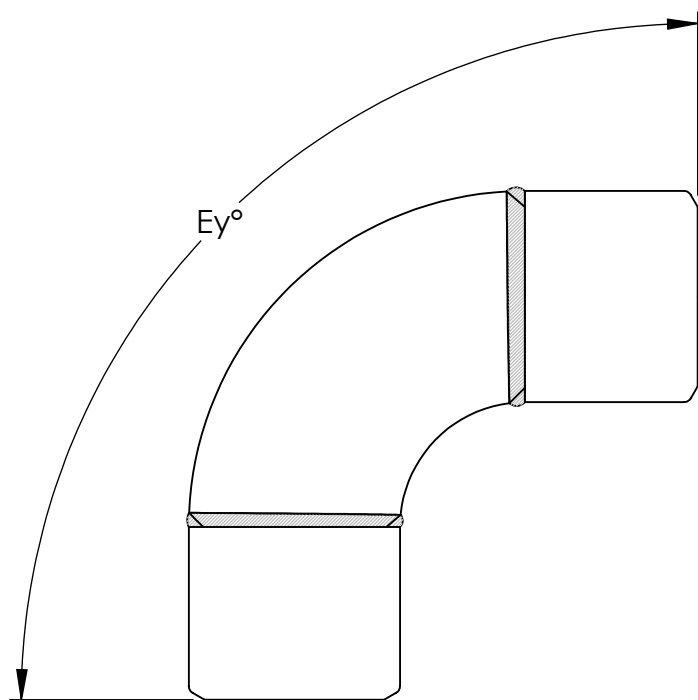


**FIGURE 1:**  
E2 CONFIGURATION



**FIGURE 2:**  
E4 CONFIGURATION

TABLE: AVAILABLE OPTIONS

ASSEMBLY PART NUMBER	ANGLE Ey	ØD	H
PLK3401D48E2	45	4.38	7.86
PLK3401D48E4	90		10.89
PLK3401D64E2	45	5.50	9.63
PLK3401D64E78	78		12.39
PLK3401D64E4	90		13.25
PLK3401D80E1	30	6.50	11.46
PLK3401D80E35	35		12.23
PLK3401D80E2	45		13.78
PLK3401D80E4	90		20.75
PLK3401D96E2	45	8.00	15.77
PLK3401D96E4	90		22.50

**LEGEND**

PLK3401 D XX Ey

- Ey ANGLE OPTION (E2=45, E4=90)
- SIZE (16 THRU 96)
- MATERIAL CODE "D"= ALUMINUM
- BASIC PART NUMBER