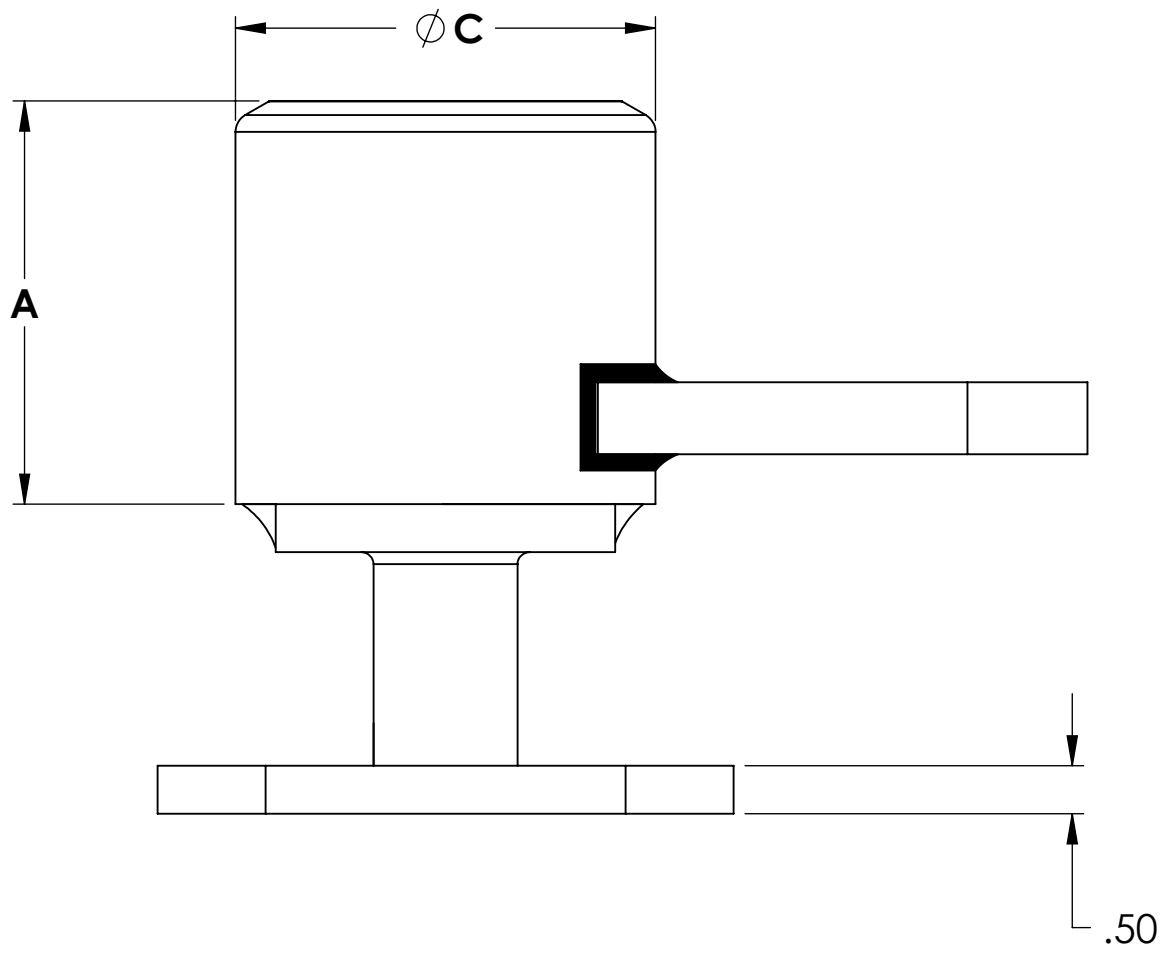
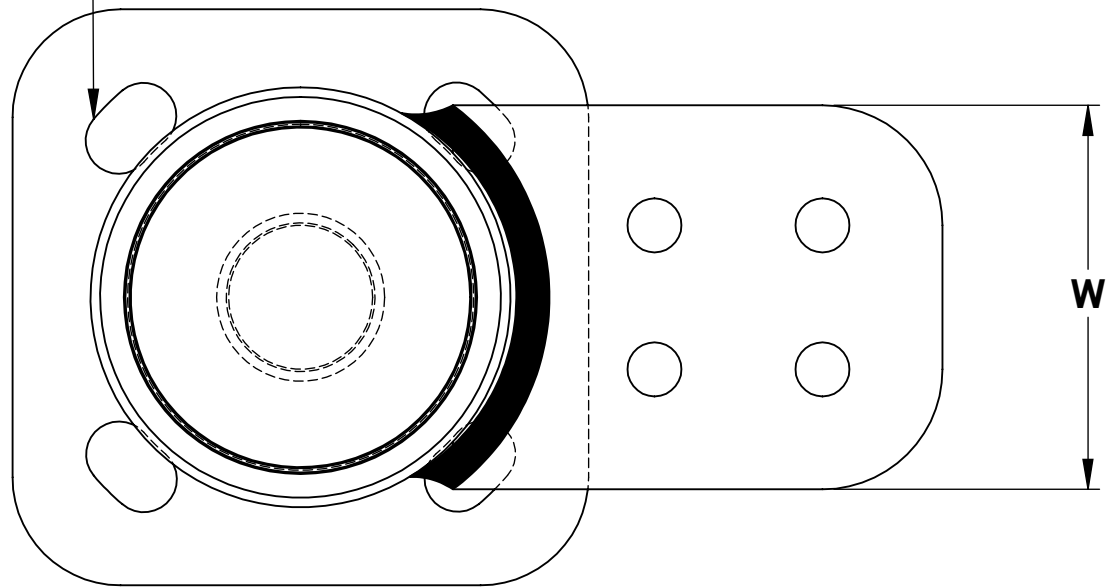


S 4X SLOTS
EQUALLY SPACED
ON Ø **Ey** B.C.

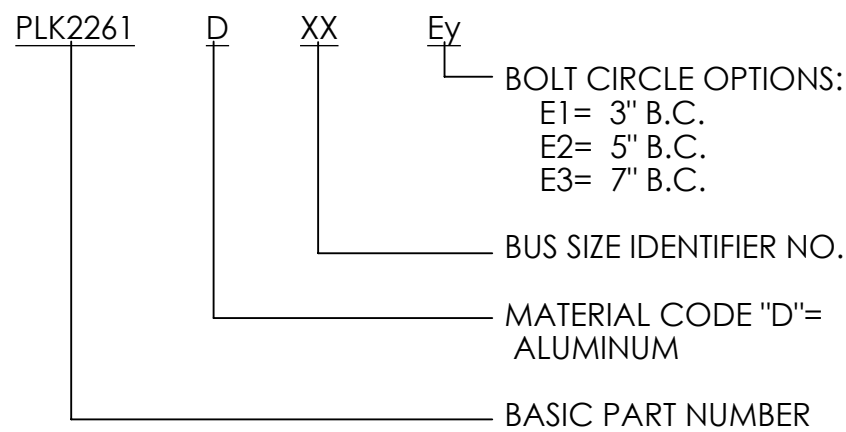


THIS DRAWING AND THE INFORMATION CONTAINED HEREIN ARE THE PROPERTY OF DMCPower AND SHALL NOT BE COPIED, REPRODUCED OR DISCLOSED WITHOUT EXPRESS AUTHORIZATION BY DMCPower.

TABLE: AVAILABLE OPTIONS

ASSEMBLY PART NUMBER	PIPE SIZE (NPS)	A	ØC	Ø Ey		S 4X	W
				OPTION LETTERS	(IN)		
PLK2261D16E1	1"	~~~~	2.000	E1	3.000	9/16 X 13/16"	3.00
PLK2261D16E2				E2	5.000	11/16 X 1-1/16"	
PLK2261D24E1	1-1/2"	3.750	2.500	E1	3.000	9/16 X 13/16"	3.00
PLK2261D24E2				E2	5.000	11/16 X 1-1/16"	
PLK2261D32E1	2"	3.750	3.000	E1	3.000	9/16 X 13/16"	3.00
PLK2261D32E2				E2	5.000	11/16 X 1-1/16"	
PLK2261D40E1	2-1/2"	3.750	3.750	E1	3.000	9/16 X 13/16"	4.00
PLK2261D40E2				E2	5.000	11/16 X 1-1/16"	
PLK2261D48E1	3"	5.000	4.375	E1	3.000	9/16 X 13/16"	4.00
PLK2261D48E2				E2	5.000	11/16 X 1-1/16"	
PLK2261D48E3				E3	7.000	13/16 X 1-1/2"	
PLK2261D56E1	3-1/2"	5.000	5.000	E1	3.000	9/16 X 13/16"	4.00
PLK2261D56E2				E2	5.000	11/16 X 1-1/16"	
PLK2261D56E3				E3	7.000	13/16 X 1-1/2"	
PLK2261D64E1	4"	5.000	5.500	E1	3.000	9/16 X 13/16"	4.00
PLK2261D64E2				E2	5.000	11/16 X 1-1/16"	
PLK2261D64E3				E3	7.000	13/16 X 1-1/2"	
PLK2261D80E1	5"	7.000	6.500	E1	3.000	9/16 X 13/16"	4.00
PLK2261D80E2				E2	5.000	11/16 X 1-1/16"	
PLK2261D80E3				E3	7.000	13/16 X 1-1/2"	

LEGEND



THIS DRAWING AND THE INFORMATION CONTAINED HEREIN ARE THE PROPERTY OF DMCPower AND SHALL NOT BE COPIED, REPRODUCED OR DISCLOSED WITHOUT EXPRESS AUTHORIZATION BY DMCPower.