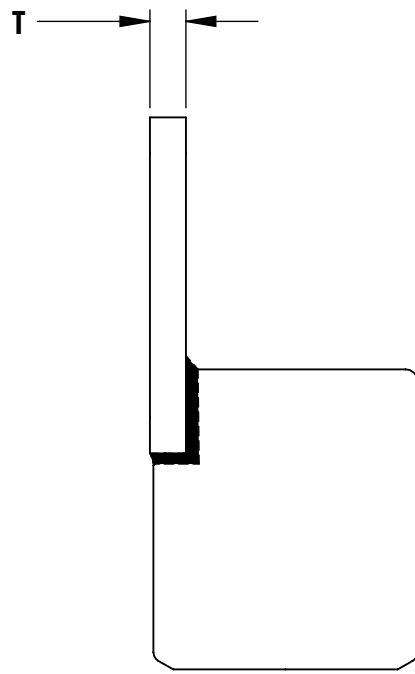
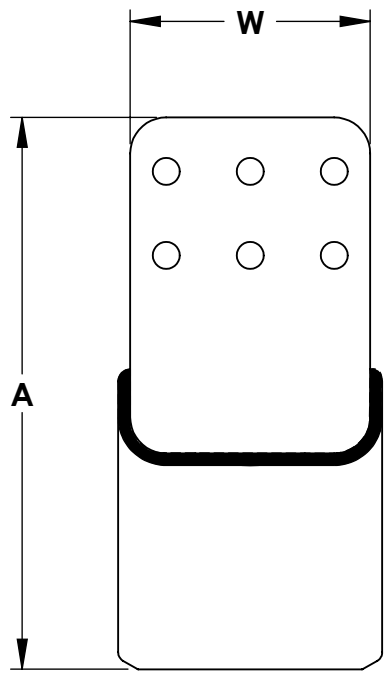
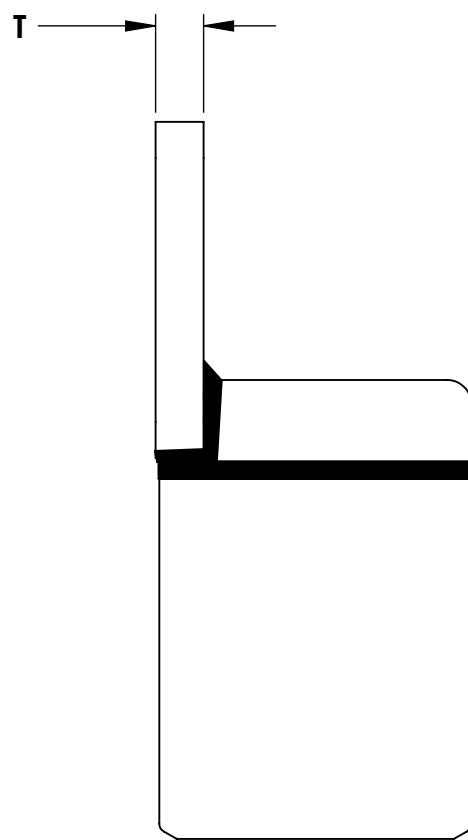
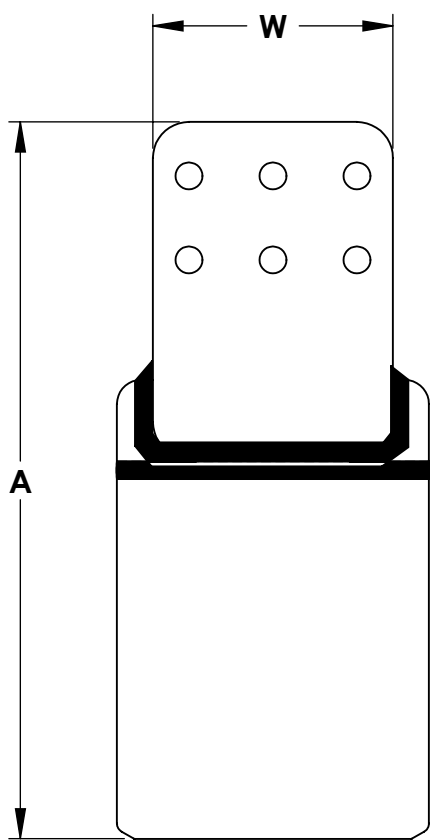


SIZES: 16 THRU 64



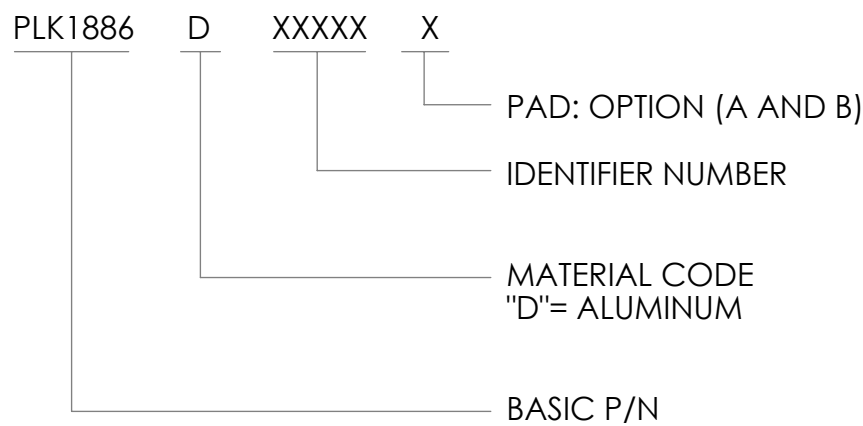
SIZES: 80 THRU 96



THIS DRAWING AND THE INFORMATION CONTAINED HEREIN ARE THE PROPERTY OF DMCPOWER AND SHALL NOT BE COPIED, REPRODUCED OR DISCLOSED WITHOUT EXPRESS AUTHORIZATION BY DMCPOWER.

TABLE: AVAILABLE OPTIONS				
ASSEMBLY PART NUMBER	BUS SIZE: (NPS)	A	T	W
PLK1886D16A	1"	9.500	3/8"	5.000
PLK1886D16B				6.000
PLK1886D24A	1-1/2"	9.750	1/2"	5.000
PLK1886D24B				6.000
PLK1886D32A	2"	10.700	1/2"	5.000
PLK1886D32B				6.000
PLK1886D40A	2-1/2"	10.825	5/8"	5.000
PLK1886D40B				6.000
PLK1886D48A	3"	10.950	3/4"	5.000
PLK1886D48B				6.000
PLK1886D56A	3-1/2"	11.250	3/4"	5.000
PLK1886D56B				6.000
PLK1886D64A	4"	11.500	3/4"	5.000
PLK1886D64B				6.000
PLK1886D80A	5"	14.933	1"	5.000
PLK1886D80B				6.000
PLK1886D96A	6"	15.933	1-1/4"	5.000
PLK1886D96B				6.000

LEGEND



THIS DRAWING AND THE INFORMATION CONTAINED HEREIN ARE THE PROPERTY OF DMCPower AND SHALL NOT BE COPIED, REPRODUCED OR DISCLOSED WITHOUT EXPRESS AUTHORIZATION BY DMCPower.