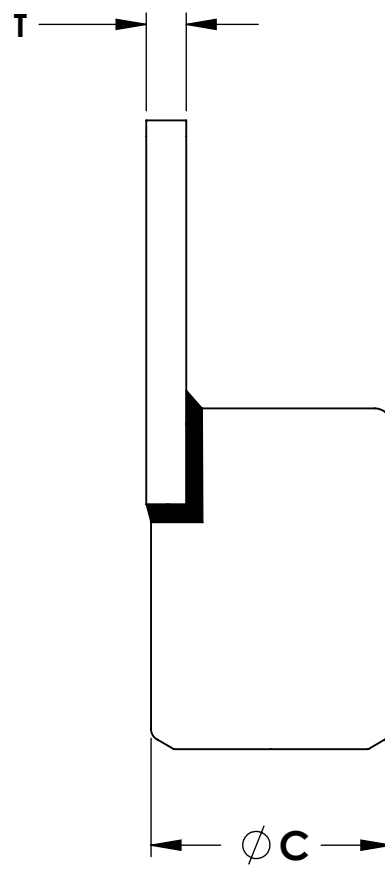
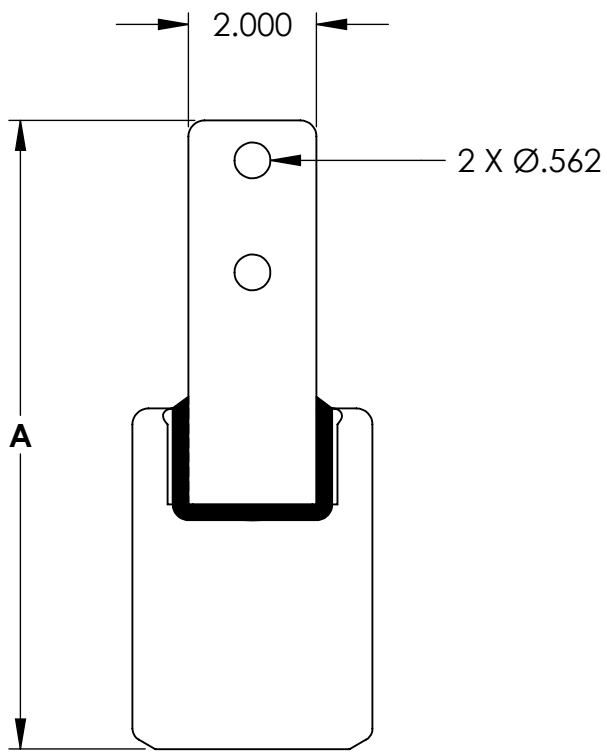
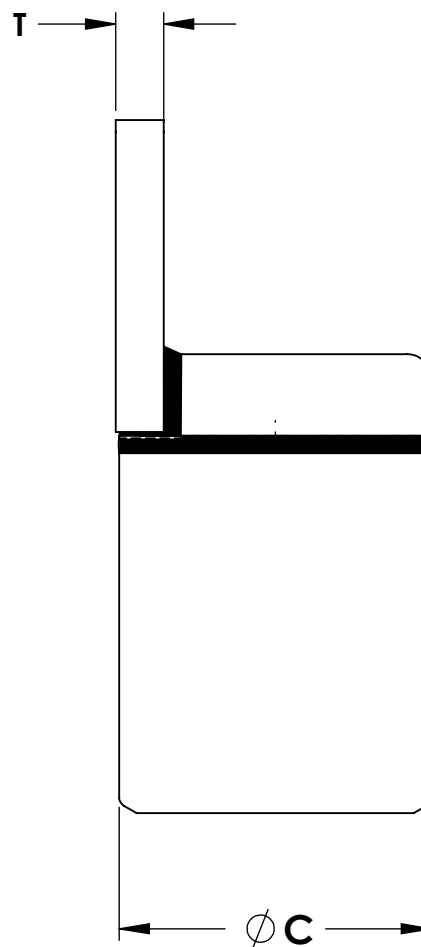
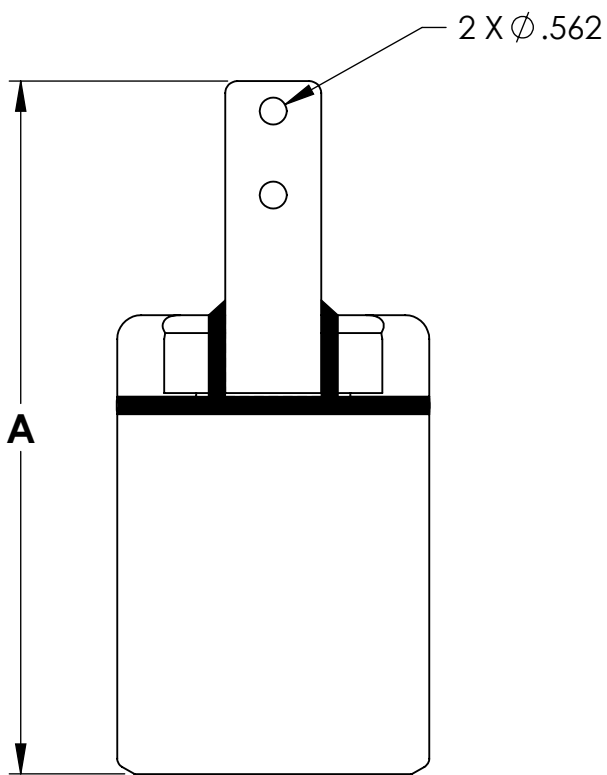


SIZES: 16 THRU 64



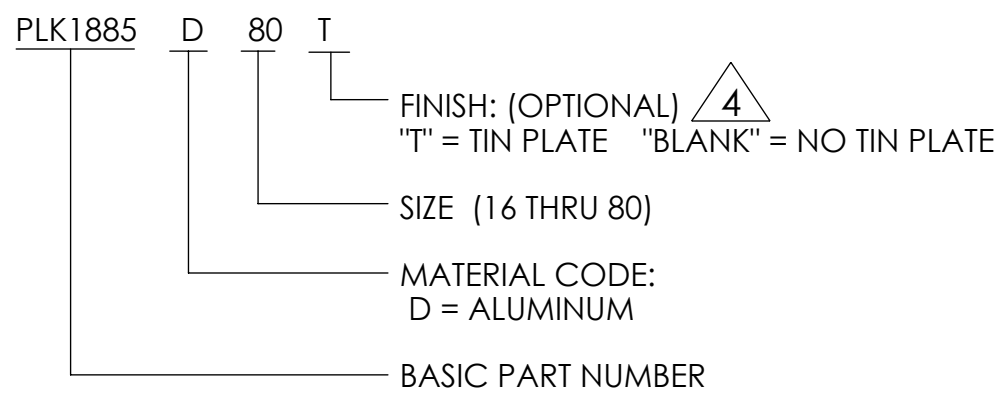
SIZES: 80



THIS DRAWING AND THE INFORMATION CONTAINED HEREIN ARE THE PROPERTY OF DMCPower AND SHALL NOT BE COPIED, REPRODUCED OR DISCLOSED WITHOUT EXPRESS AUTHORIZATION BY DMCPower.

TABLE: AVAILABLE OPTIONS				
ASSEMBLY PART NUMBER	BUS SIZE: (NPS)	A	(ØC)	T
PLK1885D16	1"	8.500	2.000	3/8"
PLK1885D24	1-1/2"	8.750	2.500	1/2"
PLK1885D32	2"	9.700	3.000	1/2"
PLK1885D40	2-1/2"	9.825	3.750	5/8"
PLK1885D48	3"	10.450	4.375	3/4"
PLK1885D56	3-1/2"	10.750	5.000	3/4"
PLK1885D64	4"	11.000	5.500	3/4"
PLK1885D80	5"	14.438	6.500	1"

LEGEND



THIS DRAWING AND THE INFORMATION CONTAINED HEREIN ARE THE PROPERTY OF DMCPower AND SHALL NOT BE COPIED, REPRODUCED OR DISCLOSED WITHOUT EXPRESS AUTHORIZATION BY DMCPower.