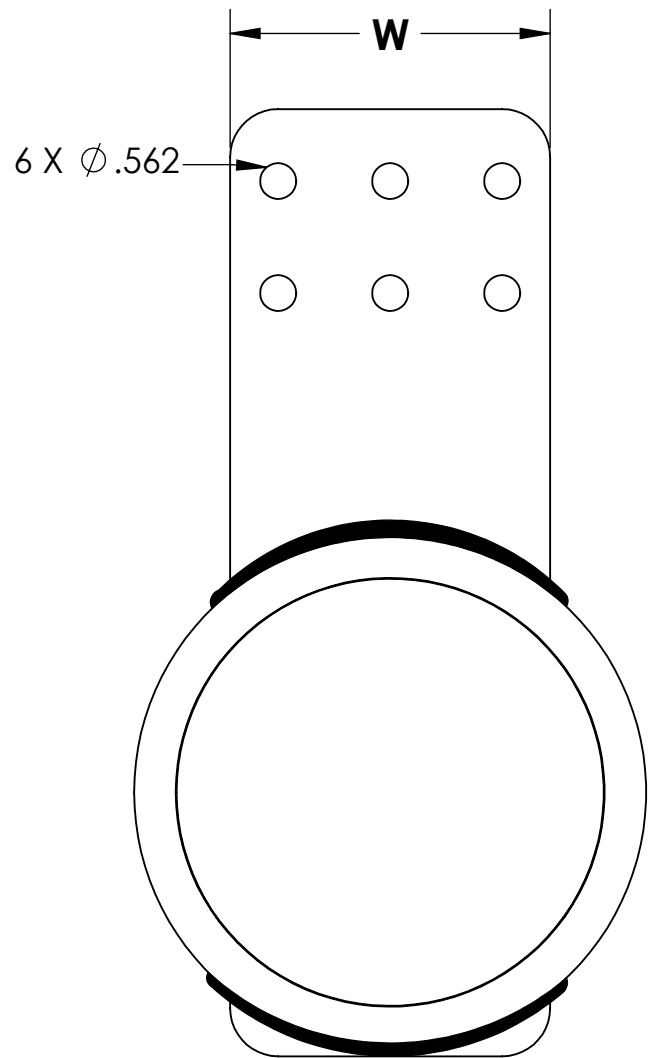
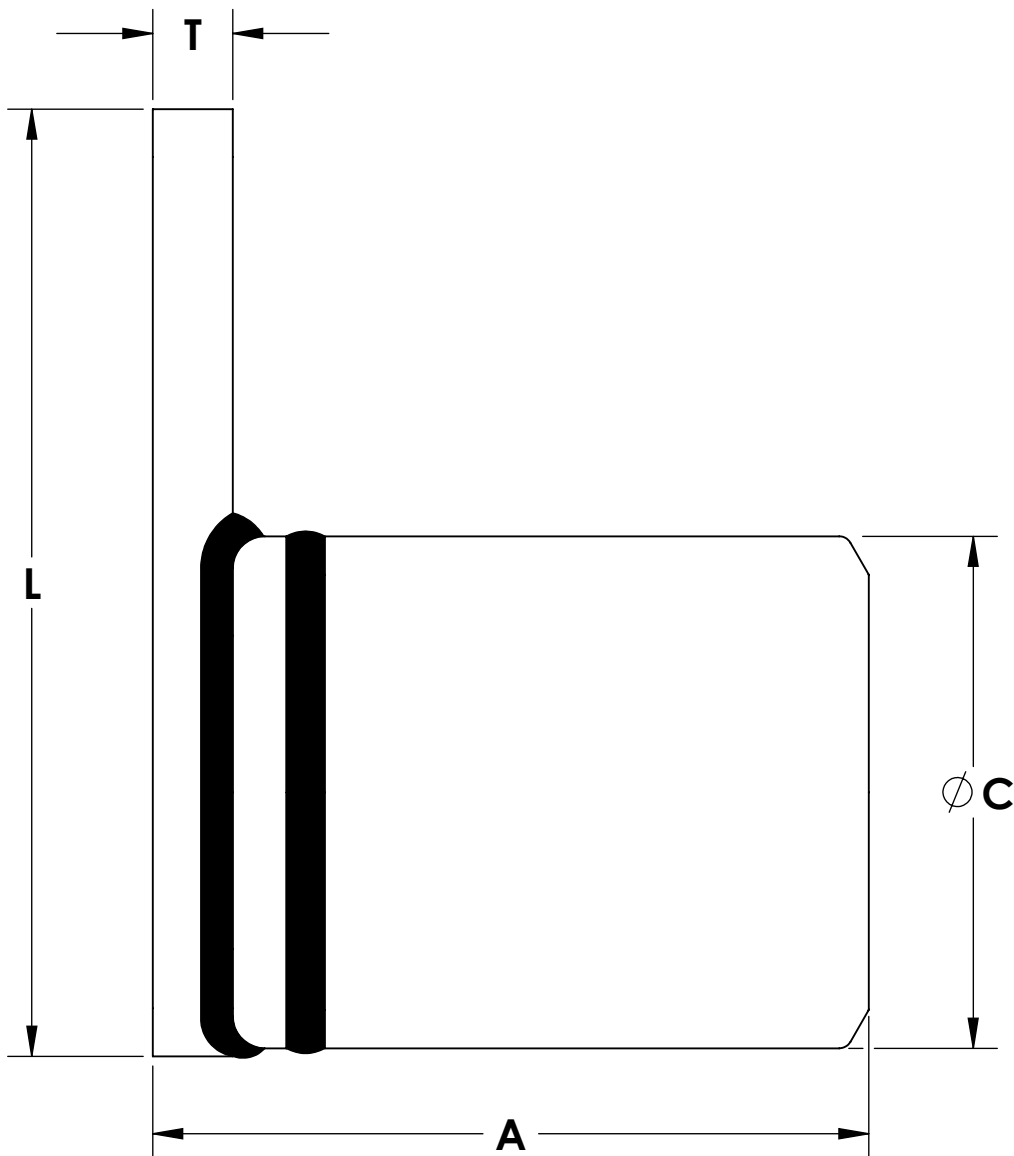


**FIGURE A**  
**SIZES 40 THRU 64**



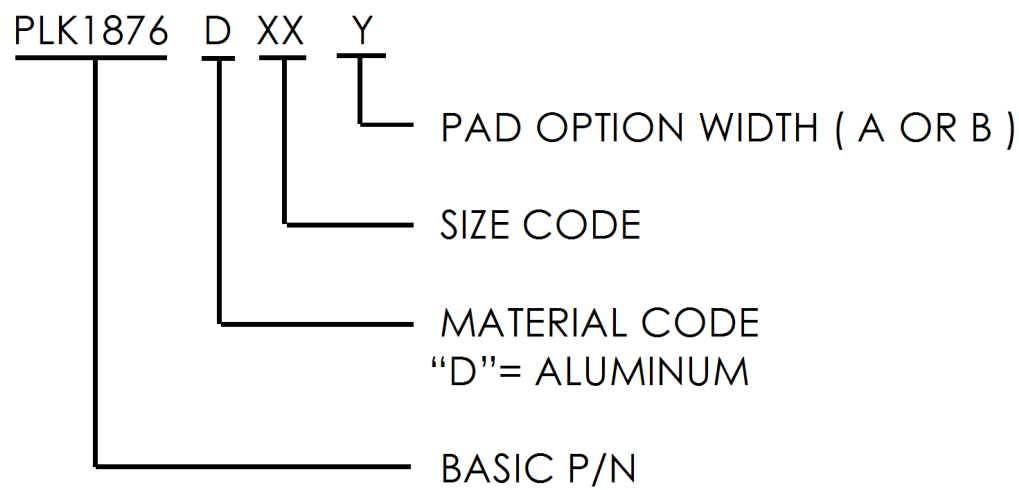
**FIGURE B**  
**SIZES 80 THRU 96**

THIS DRAWING AND THE INFORMATION CONTAINED HEREIN ARE THE PROPERTY OF DMCPower AND SHALL NOT BE COPIED, REPRODUCED OR DISCLOSED WITHOUT EXPRESS AUTHORIZATION BY DMCPower.

**TABLE: AVAILABLE OPTIONS**

ASSEMBLY PART NUMBER	A	C	L	W	T
PLK1876D40A	4.125	3.750	9.700	6.000	5/8
PLK1876D40B				5.000	
PLK1876D48A	4.750	4.375	10.625	6.000	3/4
PLK1876D48B				5.000	
PLK1876D56A	4.750	5.000	11.550	6.000	3/4
PLK1876D56B				5.000	
PLK1876D64A	4.750	5.500	12.300	6.000	3/4
PLK1876D64B				5.000	
PLK1876D80A	10.225	6.500	13.300	6.000	1
PLK1876D80B				5.000	
PLK1876D96A	11.175	8.000	14.800	6.000	1 1/4
PLK1876D96B				5.000	

**LEGEND:**



THIS DRAWING AND THE INFORMATION CONTAINED HEREIN ARE THE PROPERTY OF DMCPOWER AND SHALL NOT BE COPIED, REPRODUCED OR DISCLOSED WITHOUT EXPRESS AUTHORIZATION BY DMCPOWER.