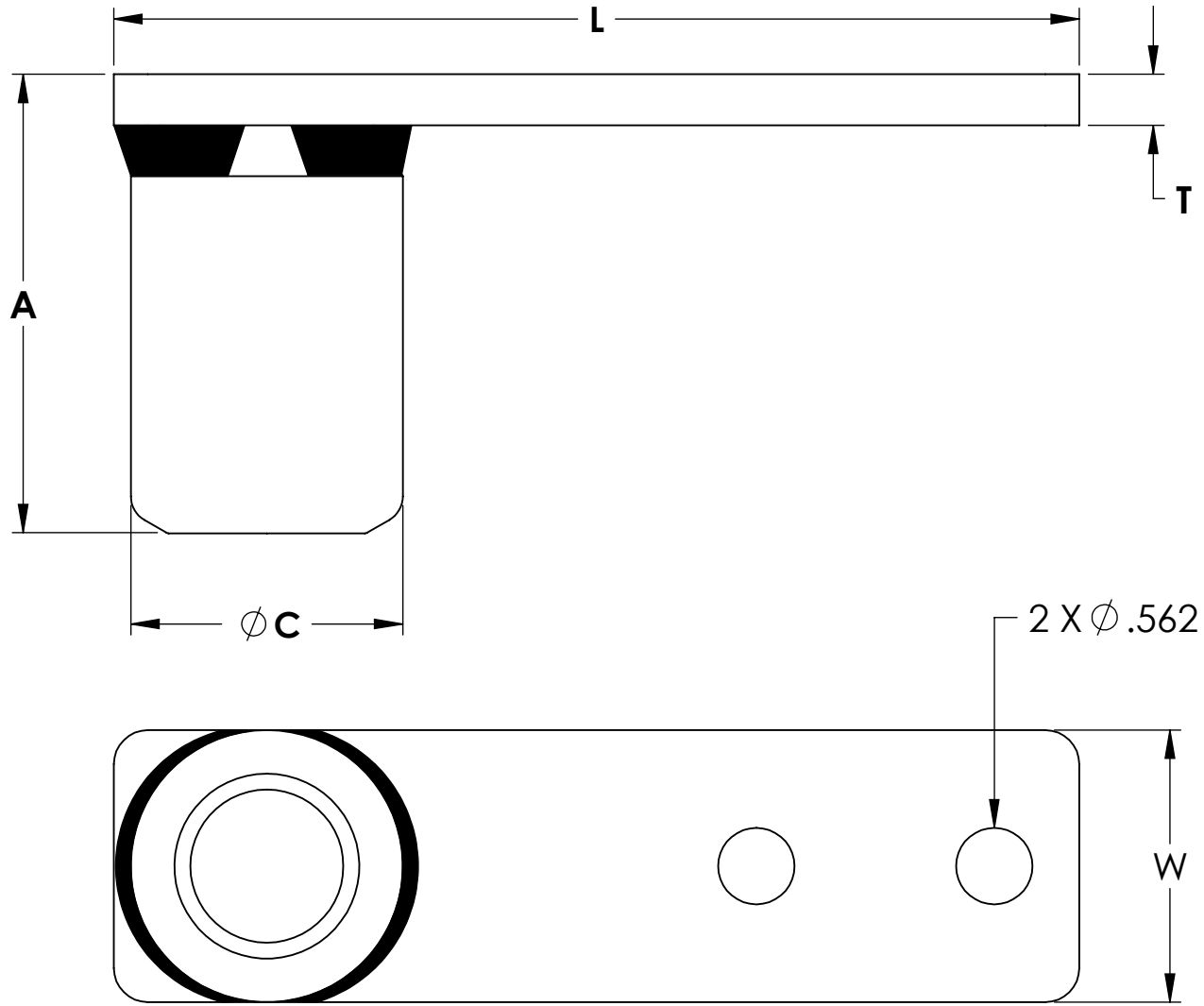
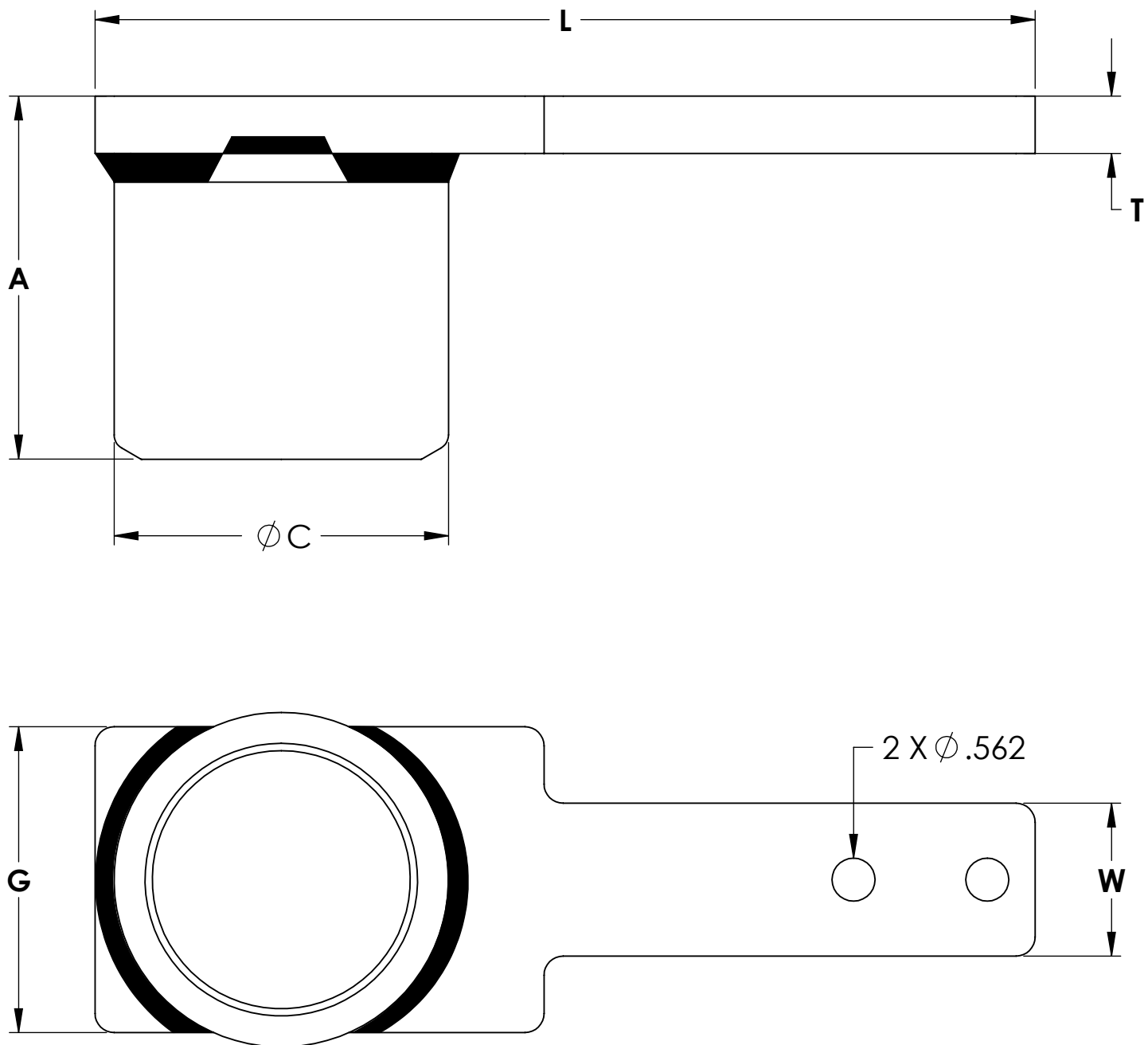


SIZE: 16

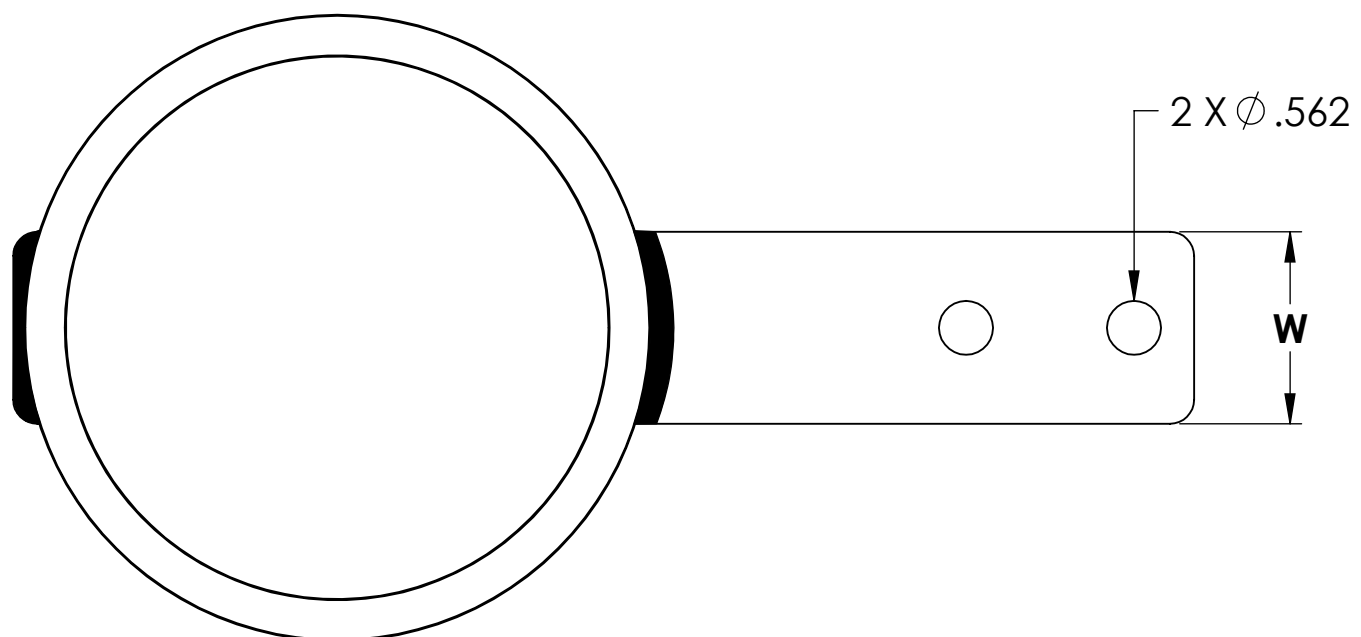
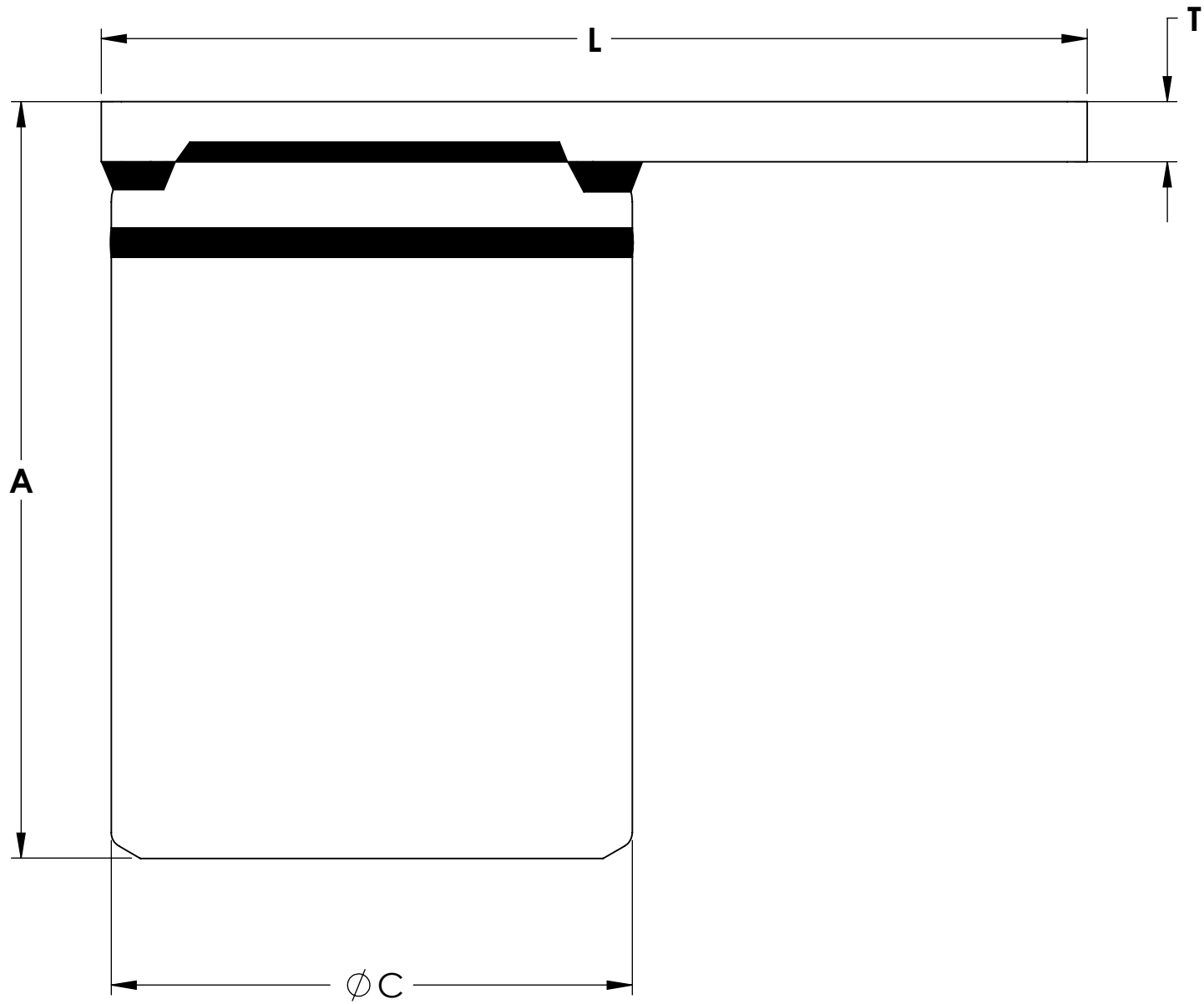


SIZE: 24 THRU 64



THIS DRAWING AND THE INFORMATION CONTAINED HEREIN ARE THE PROPERTY OF DMCPower AND SHALL NOT BE COPIED, REPRODUCED OR DISCLOSED WITHOUT EXPRESS AUTHORIZATION BY DMCPower.

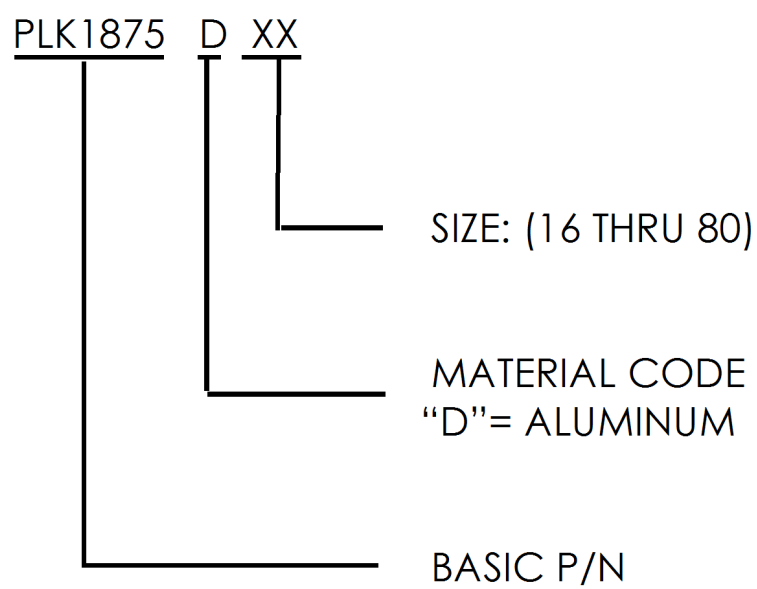
SIZE: 80



THIS DRAWING AND THE INFORMATION CONTAINED HEREIN ARE THE PROPERTY OF DMCPower AND SHALL NOT BE COPIED, REPRODUCED OR DISCLOSED WITHOUT EXPRESS AUTHORIZATION BY DMCPower.

TABLE: AVAILABLE OPTIONS							
ASSEMBLY PART NUMBER	PIPE SIZE: (NPS)	A	ØC	G	L	T	W
PLK1875D16	1"	3.375	2.000	N/A	7.100	3/8"	2.000
PLK1875D20	1-1/4"	3.500	2.500	2.500	8.550	1/2"	
PLK1875D24	1-1/2"	3.500	2.500	2.50	8.550	1/2"	
PLK1875D32	2"	4.000	3.000	2.50	8.550	1/2"	
PLK1875D40	2-1/2"	4.125	3.750	3.00	9.700	5/8"	
PLK1875D48	3"	4.750	4.375	4.00	12.300	3/4"	
PLK1875D56	3-1/2"	4.750	5.000	4.00	12.300	3/4"	
PLK1875D64	4"	4.750	5.500	4.00	12.300	3/4"	
PLK1875D80	5"	9.433	6.500	N/A	13.300	1"	

LEGEND:



THIS DRAWING AND THE INFORMATION CONTAINED HEREIN ARE THE PROPERTY OF DMCPower AND SHALL NOT BE COPIED, REPRODUCED OR DISCLOSED WITHOUT EXPRESS AUTHORIZATION BY DMCPower.