

FIGURE A

THIS DRAWING AND THE INFORMATION CONTAINED HEREIN ARE THE PROPERTY OF DMCPower AND SHALL NOT BE COPIED, REPRODUCED OR DISCLOSED WITHOUT EXPRESS AUTHORIZATION BY DMCPower.

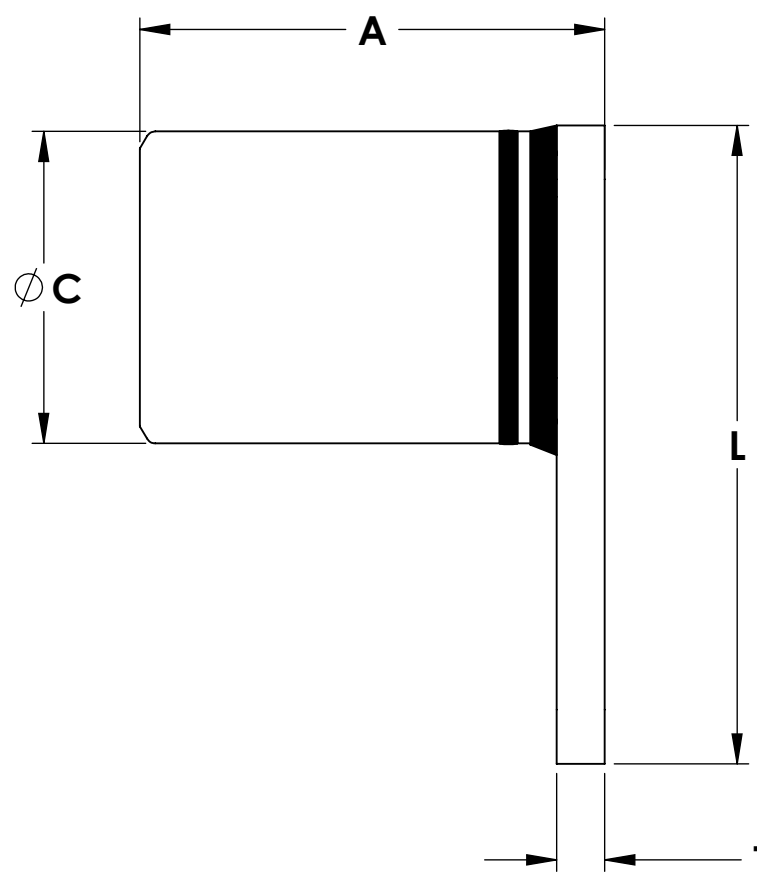
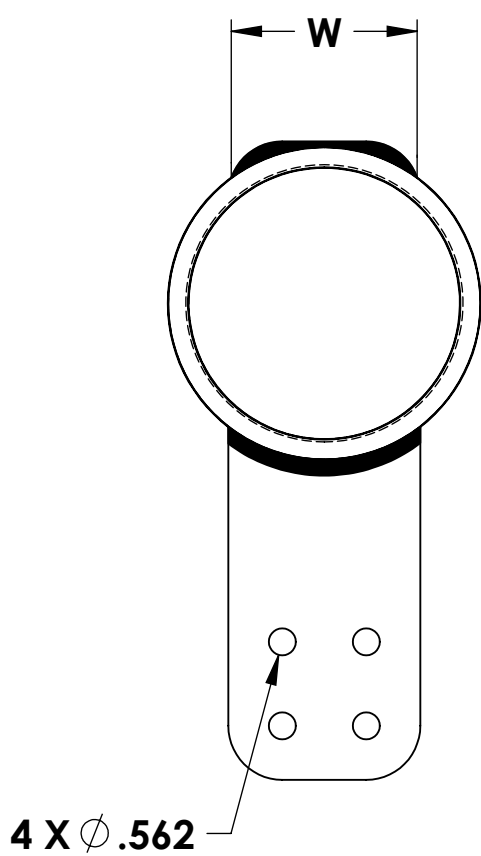


FIGURE B

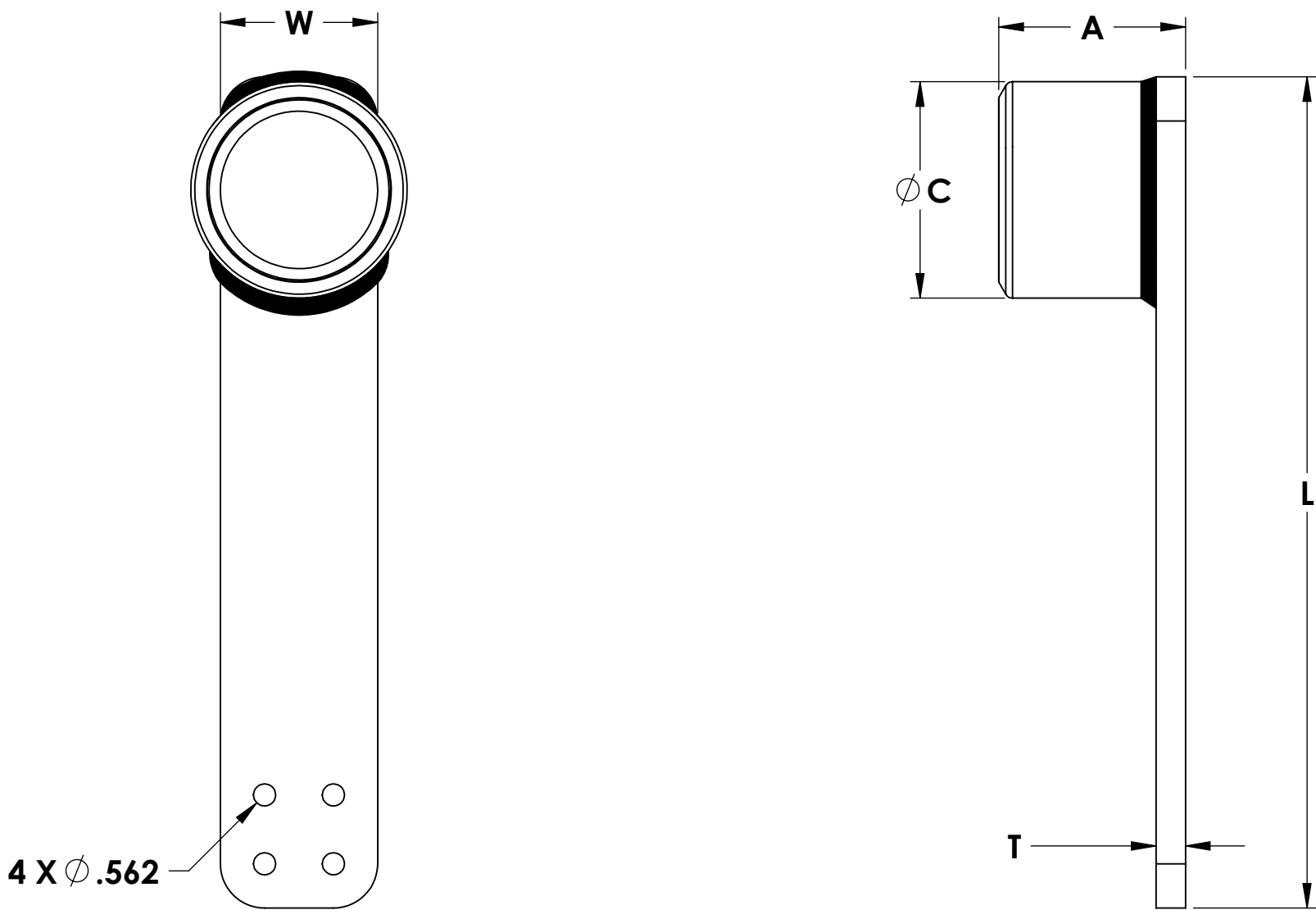
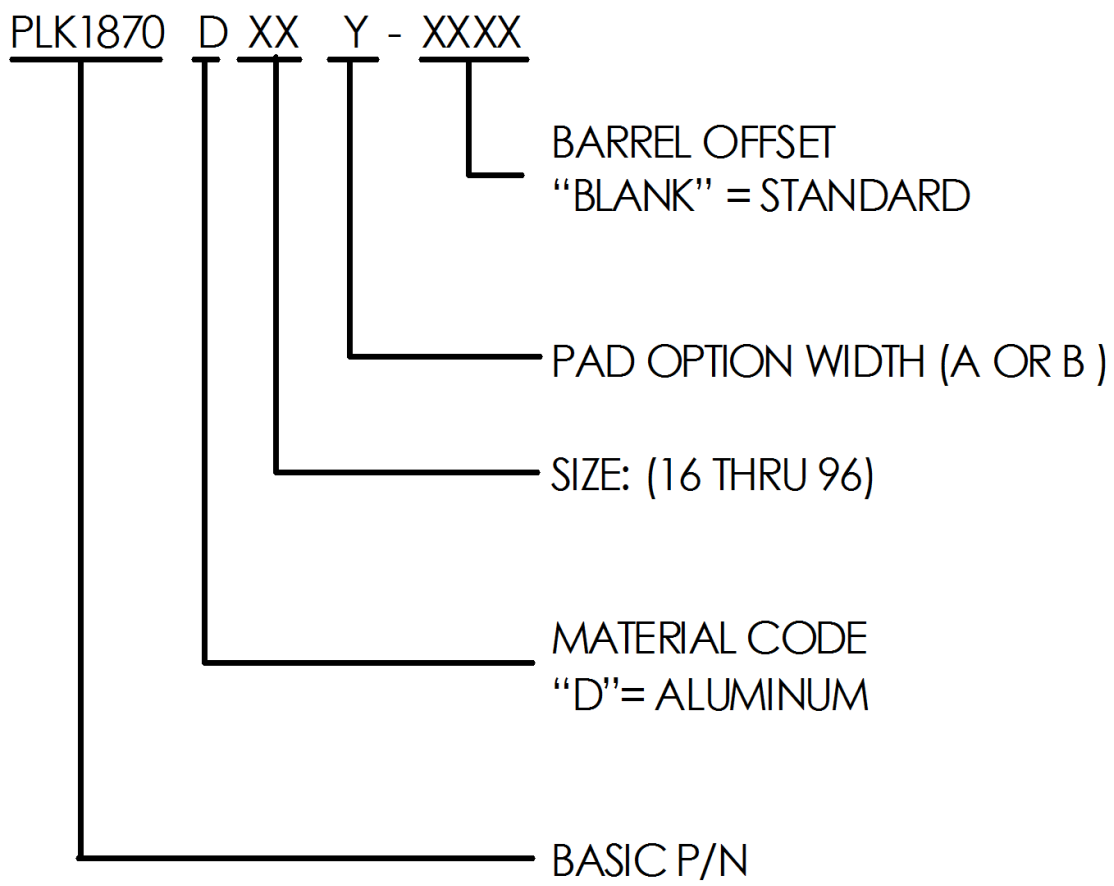


FIGURE C

TABLE: AVAILABLE OPTIONS								
ASSEMBLY PART NO.	SIZE	PIPE SIZE (NPS)	A	ØC	L	W	T	FIGURE
PLK1870D16A	16	1"	3.375	2.000	7.100	3.000	3/8	A
PLK1870D16B						4.000		
PLK1870D20A	20	1-1/4"	3.500	2.500	7.815	3.000	1/2	
PLK1870D20B						4.000		
PLK1870D24A	24	1-1/2"	3.500	2.500	7.815	3.000	1/2	A
PLK1870D24B						4.000		
PLK1870D32A	32	2"	4.000	3.000	8.550	3.000	1/2	A
PLK1870D32B						4.000		
PLK1870D40A	40	2-1/2"	4.125	3.750	9.700	3.000	5/8	B
PLK1870D40B						4.000		A
PLK1870D48A	48	3"	4.750	4.375	10.625	3.000	3/4	B
PLK1870D48B						4.000		
PLK1870D56A	56	3-1/2"	4.750	5.000	11.550	3.000	3/4	B
PLK1870D56B						4.000		
PLK1870D56HB						1		
PLK1870D64A	64	4"	4.750	5.500	12.300	3.000	3/4	B
PLK1870D64B						4.000		
PLK1870D80A	80	5"	9.750	6.500	13.300	3.000	1	B
PLK1870D80B						4.000		
PLK1870D96A	96	6"	11.175	8.000	14.800	3.000	1-1/4	B
PLK1870D96B						4.000		
PLK1870D40A-1100	40	2-1/2"	4.125	3.750	13.000	3.000	5/8	
PLK1870D64B-1825	64	4"	4.750	5.500	21.125	4.000	3/4	C

THIS DRAWING AND THE INFORMATION CONTAINED HEREIN ARE THE PROPERTY OF DMCPower AND SHALL NOT BE COPIED, REPRODUCED OR DISCLOSED WITHOUT EXPRESS AUTHORIZATION BY DMCPower.

LEGEND:



THIS DRAWING AND THE INFORMATION CONTAINED HEREIN ARE THE PROPERTY OF DMCPower AND SHALL NOT BE COPIED, REPRODUCED OR DISCLOSED WITHOUT EXPRESS AUTHORIZATION BY DMCPower.