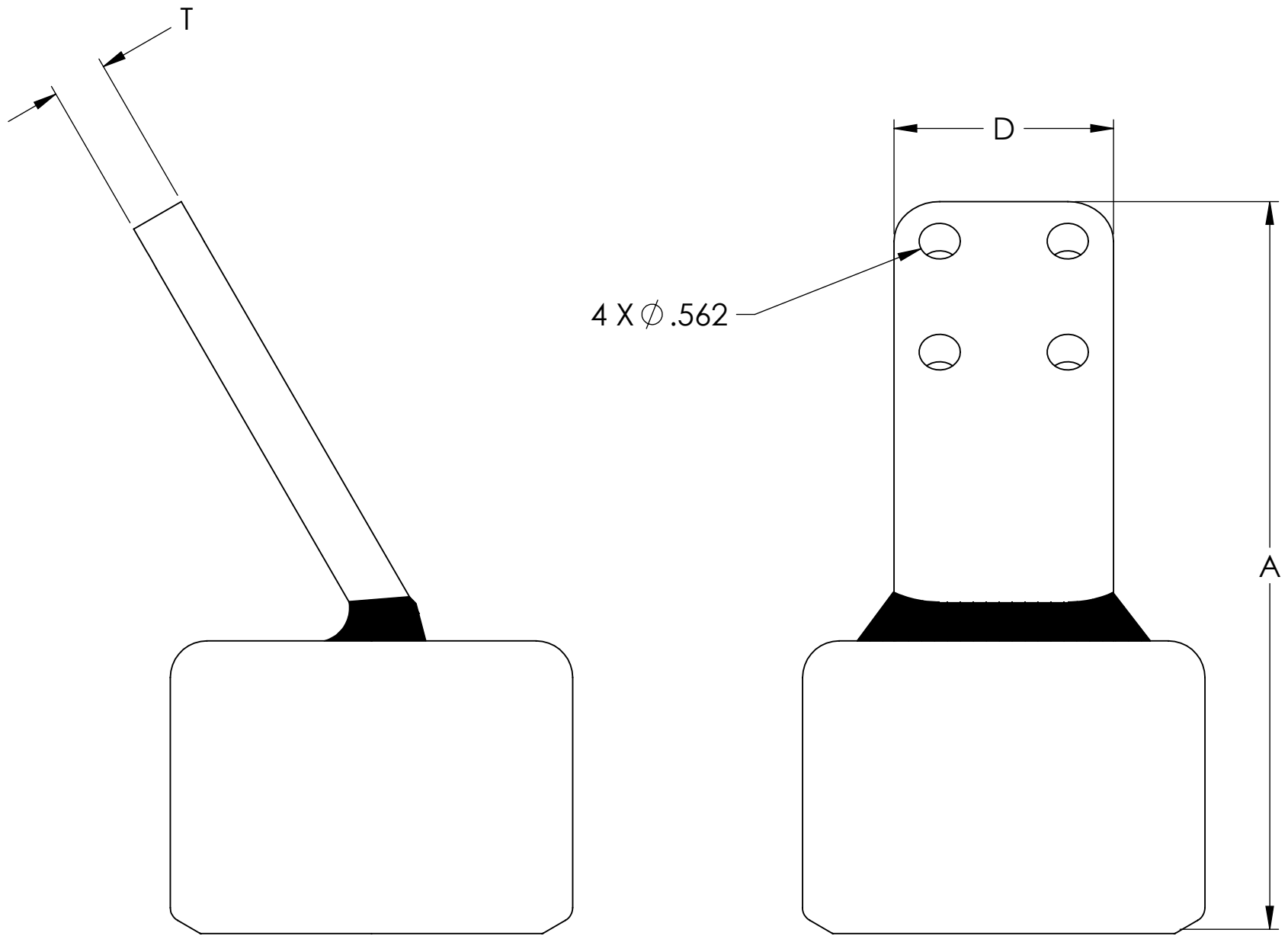


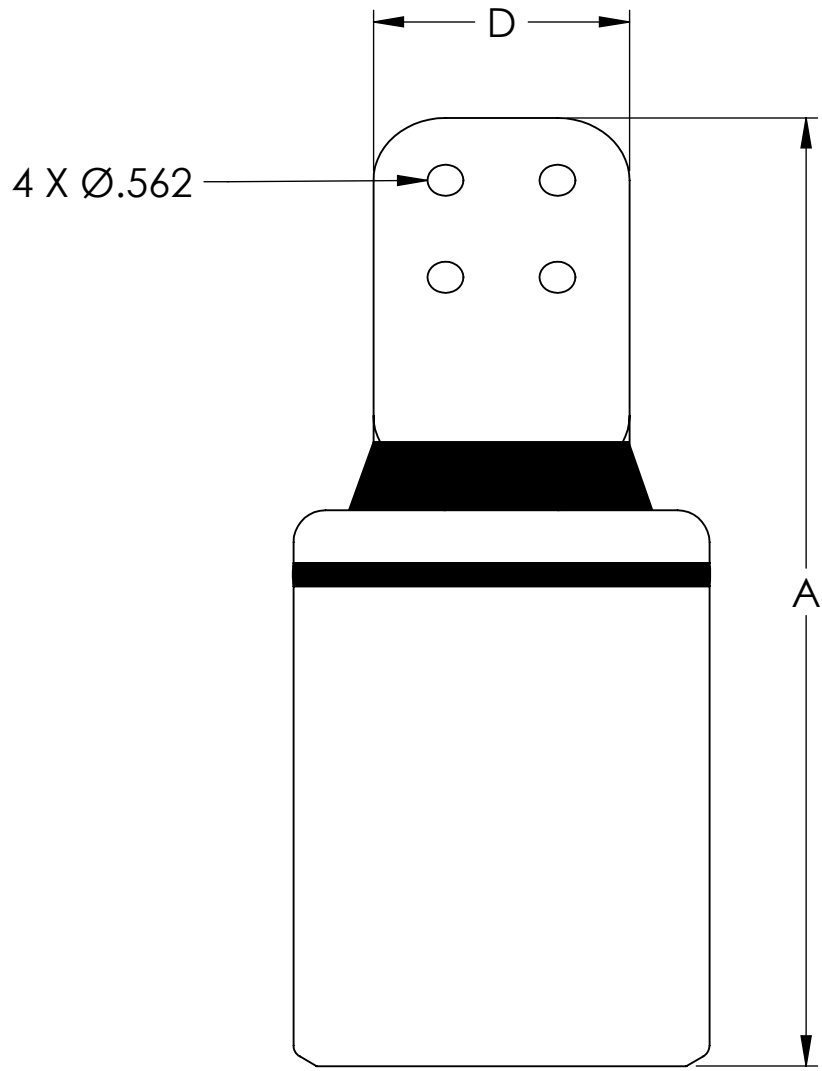
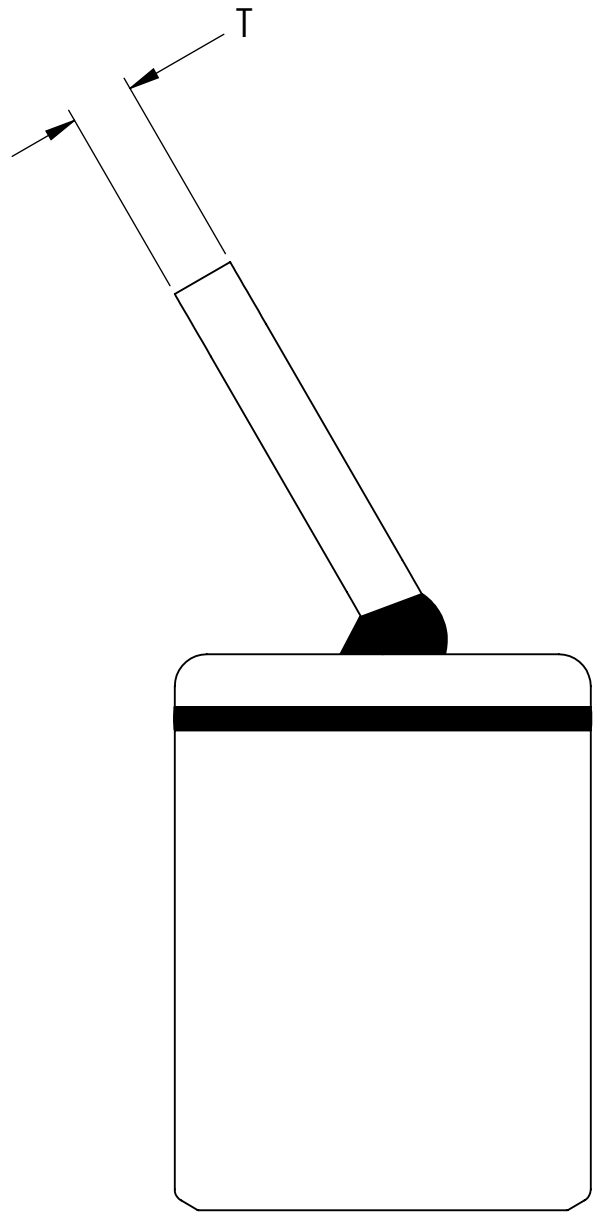
- FIGURE A -
SIZE 16, 24, 32 & 40

THIS DRAWING AND THE INFORMATION CONTAINED HEREIN ARE THE PROPERTY OF DMCPower AND SHALL NOT BE COPIED, REPRODUCED OR DISCLOSED WITHOUT EXPRESS AUTHORIZATION BY DMCPower.



- FIGURE B -
SIZES: 32 THRU 64

THIS DRAWING AND THE INFORMATION CONTAINED HEREIN ARE THE PROPERTY OF DMCPower AND SHALL NOT BE COPIED, REPRODUCED OR DISCLOSED WITHOUT EXPRESS AUTHORIZATION BY DMCPower.



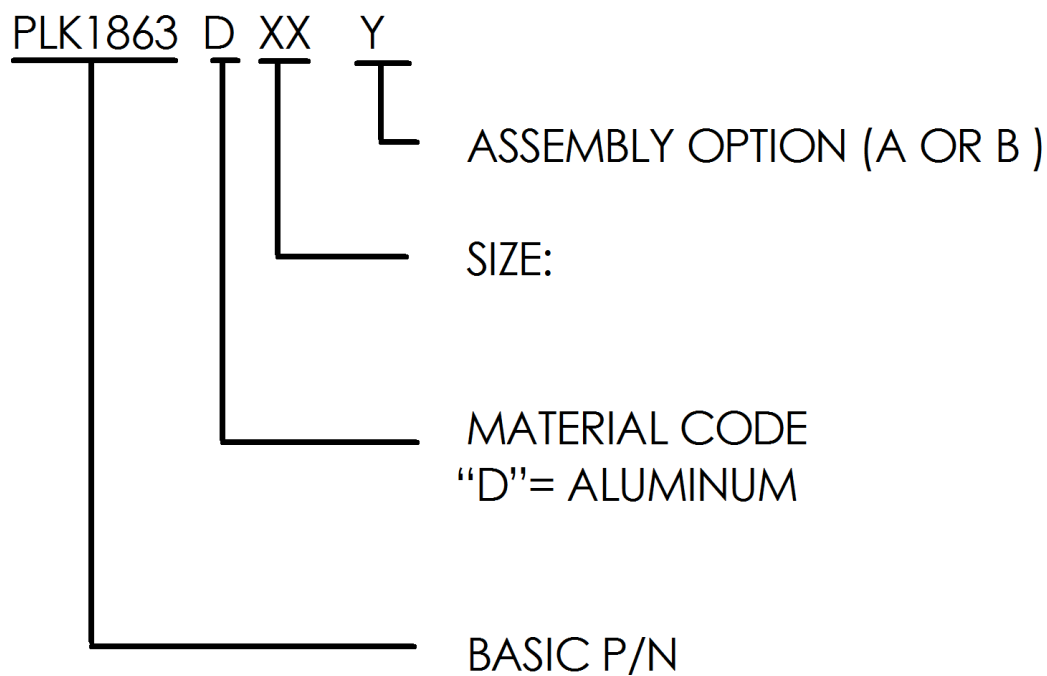
- FIGURE C -
SIZE 80 & 96

THIS DRAWING AND THE INFORMATION CONTAINED HEREIN ARE THE PROPERTY OF DMCPower AND SHALL NOT BE COPIED, REPRODUCED OR DISCLOSED WITHOUT EXPRESS AUTHORIZATION BY DMCPower.

TABLE: AVAILABLE OPTIONS

ASSEMBLY PART NO.	PIPE SIZE: (NPS)	T	D	A	APPLIC. FIGURE
PLK1863D16A	1"	3/8	3.000	8.384	A
PLK1863D16B			4.000		
PLK1863D24A	1-1/2"	1/2	3.000	8.446	A
PLK1863D24B			4.000		
PLK1863D32A	2"	1/2	3.000	8.946	A
PLK1863D32B			4.000		B
PLK1863D40A	2-1/2"	5/8	3.000	9.009	A
PLK1863D40B			4.000		B
PLK1863D48A	3"	3/4	3.000	10.004	B
PLK1863D48B			4.000		
PLK1863D56A	3-1/2"	3/4	3.000	10.004	B
PLK1863D56B			4.000		
PLK1863D64A	4"	3/4	3.000	10.004	B
PLK1863D64B			4.000		
PLK1863D80A	5"	1	3.000	14.812	C
PLK1863D80B			4.000		
PLK1863D96A	6"	1-1/4	3.000	16.437	C
PLK1863D96B			4.000		

LEGEND:



THIS DRAWING AND THE INFORMATION CONTAINED HEREIN ARE THE PROPERTY OF DMCPower AND SHALL NOT BE COPIED, REPRODUCED OR DISCLOSED WITHOUT EXPRESS AUTHORIZATION BY DMCPower.