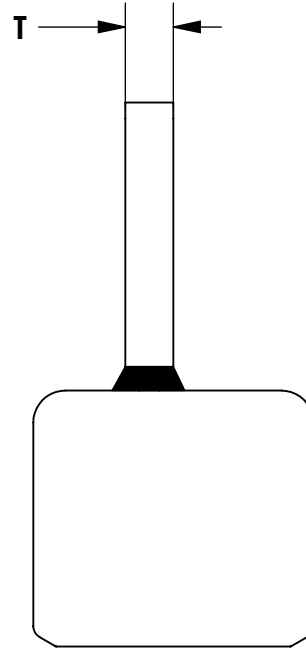
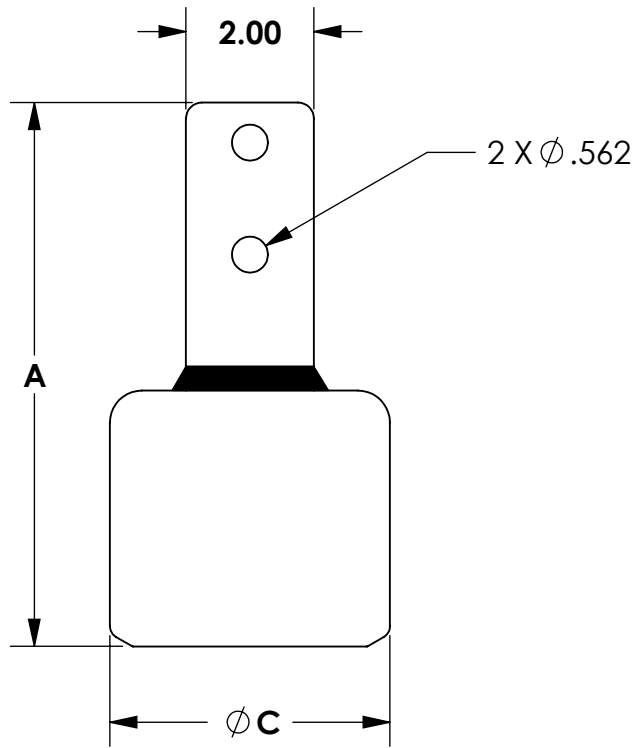
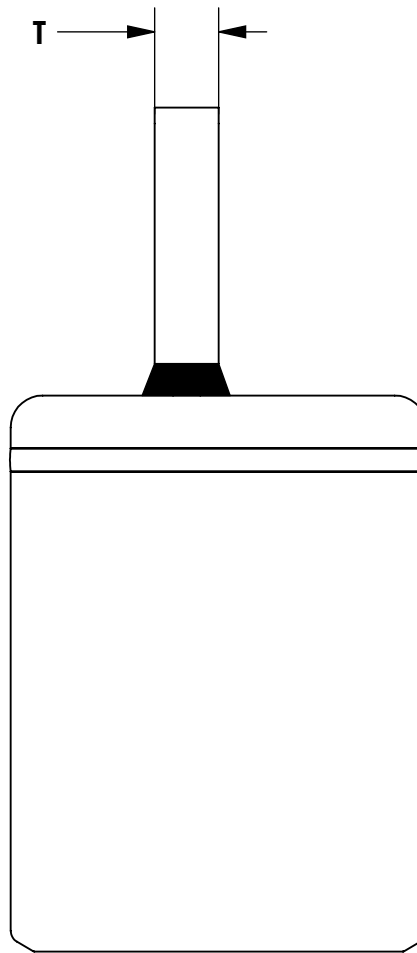
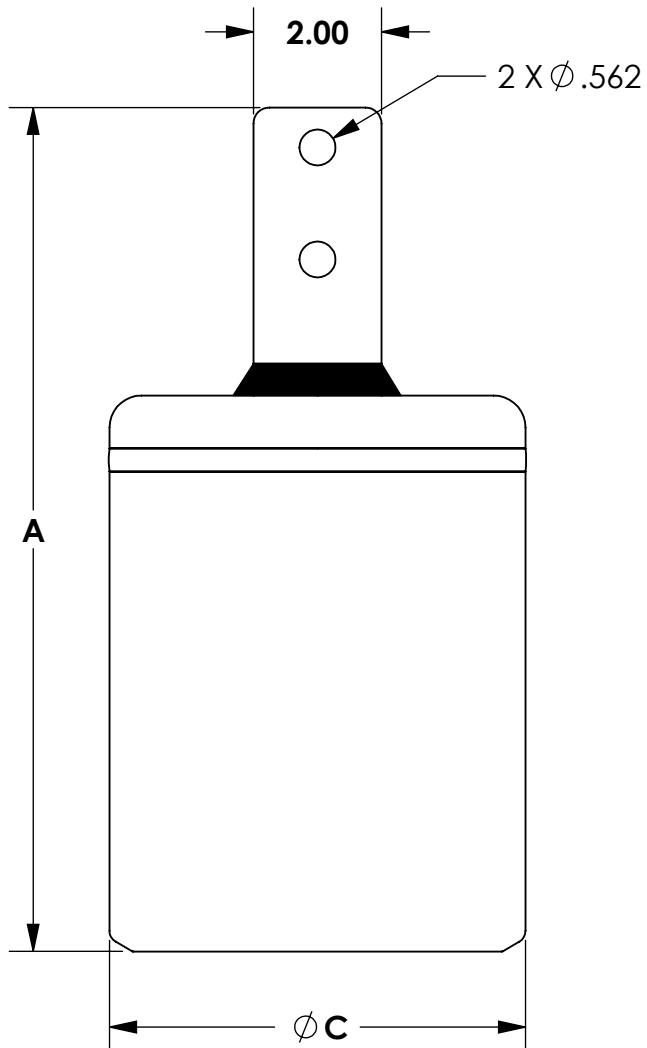


SIZES 16 THRU 64



SIZES 80

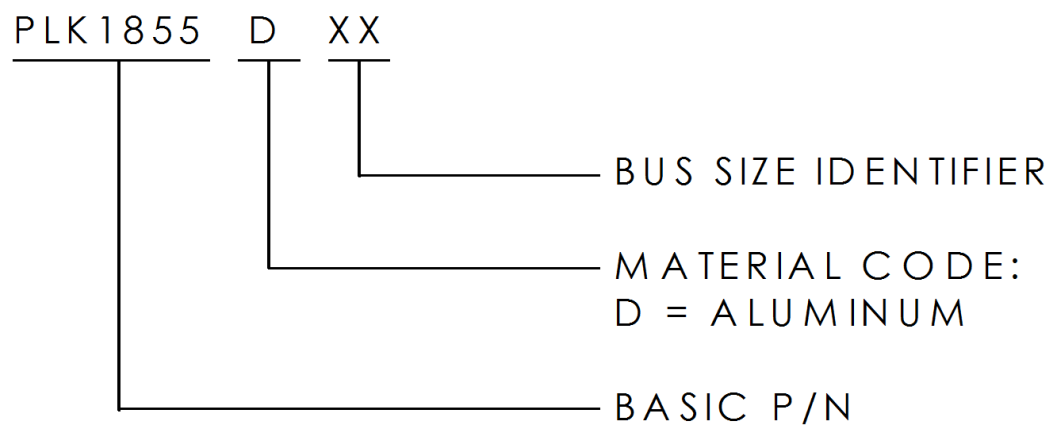


THIS DRAWING AND THE INFORMATION CONTAINED HEREIN ARE THE PROPERTY OF DMCPower AND SHALL NOT BE COPIED, REPRODUCED OR DISCLOSED WITHOUT EXPRESS AUTHORIZATION BY DMCPower.

TABLE: AVAILABLE OPTIONS

ASSEMBLY PART NUMBER	BUS SIZE (NPS)	A	ØC	T
PLK1855D16	1"	8.000	2.000	3/8"
PLK1855D24	1-1/2"		2.500	1/2"
PLK1855D32	2"	8.500	3.000	
PLK1855D40	2-1/2"		3.750	
PLK1855D48	3"	9.000	4.375	3/4"
PLK1855D56	3-1/2"		5.000	
PLK1855D64	4"		5.500	
PLK1855D80	5"	13.690	6.500	1"

LEGEND



THIS DRAWING AND THE INFORMATION CONTAINED HEREIN ARE THE PROPERTY OF DMCPower AND SHALL NOT BE COPIED, REPRODUCED OR DISCLOSED WITHOUT EXPRESS AUTHORIZATION BY DMCPower.