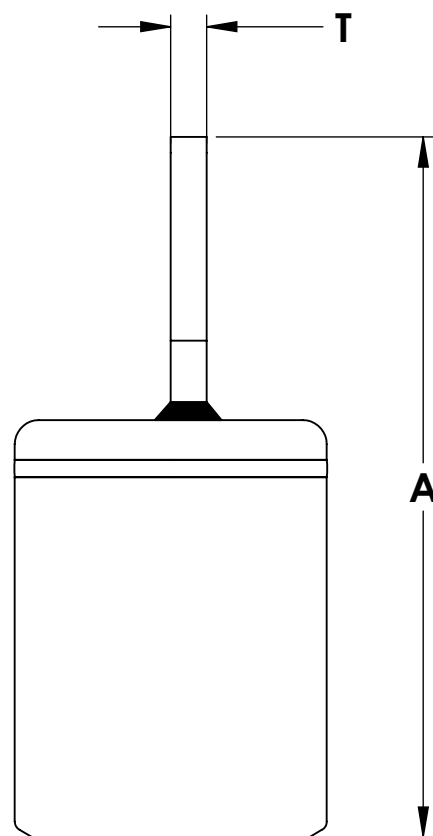
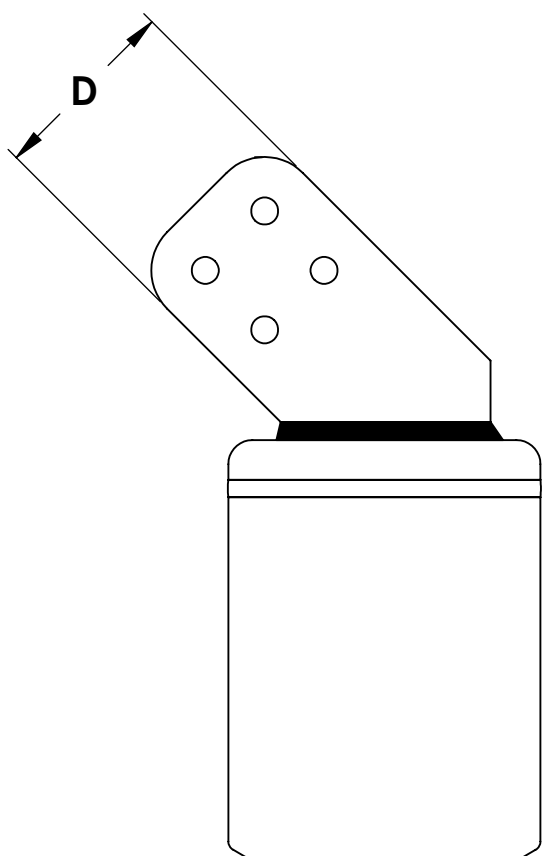


**SIZES: 16 THRU 64**

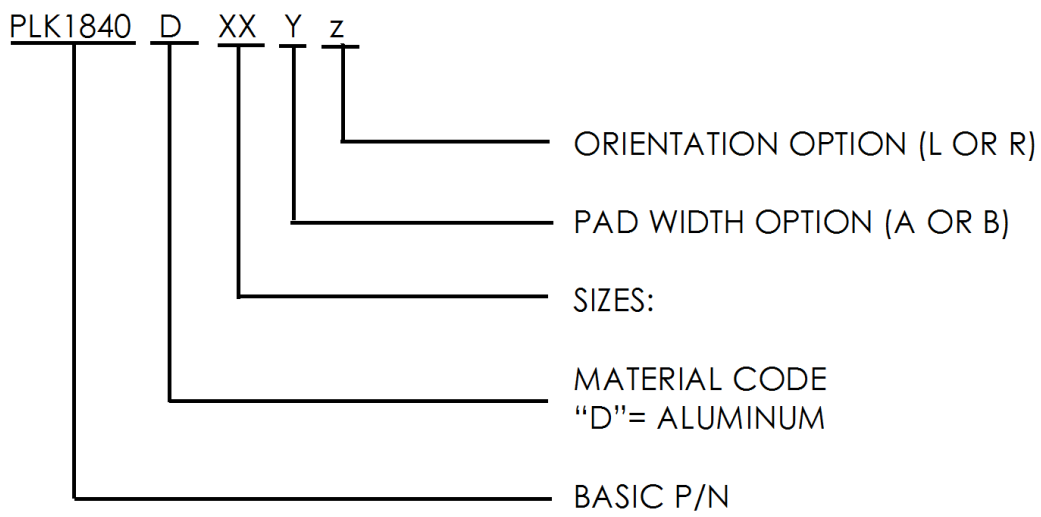


**SIZES: 80**

THIS DRAWING AND THE INFORMATION CONTAINED HEREIN ARE THE PROPERTY OF DMCPower AND SHALL NOT BE COPIED, REPRODUCED OR DISCLOSED WITHOUT EXPRESS AUTHORIZATION BY DMCPower.

TABLE: AVAILABLE OPTIONS			
ASSEMBLY PART NUMBER	A	D	T
PLK1840D16Az	8.40	3.00	.375
PLK1840D16Bz	8.89	4.00	
PLK1840D24Az	8.40	3.00	.500
PLK1840D24Bz	8.89	4.00	
PLK1840D32Az	8.89	3.00	
PLK1840D32Bz	9.39	4.00	
PLK1840D40Az	8.89	3.00	.625
PLK1840D40Bz	9.39	4.00	
PLK1840D48Az	9.39	3.00	.750
PLK1840D48Bz	9.89	4.00	
PLK1840D56Az	9.39	3.00	
PLK1840D56Bz	9.89	4.00	
PLK1840D64Az	9.39	3.00	
PLK1840D64Bz	9.89	4.00	
PLK1840D80Az	14.08	3.00	1.000
PLK1840D80Bz	14.58	4.00	

LEGEND:



THIS DRAWING AND THE INFORMATION CONTAINED HEREIN ARE THE PROPERTY OF DMCPOWER AND SHALL NOT BE COPIED, REPRODUCED OR DISCLOSED WITHOUT EXPRESS AUTHORIZATION BY DMCPOWER.