

FIGURE A

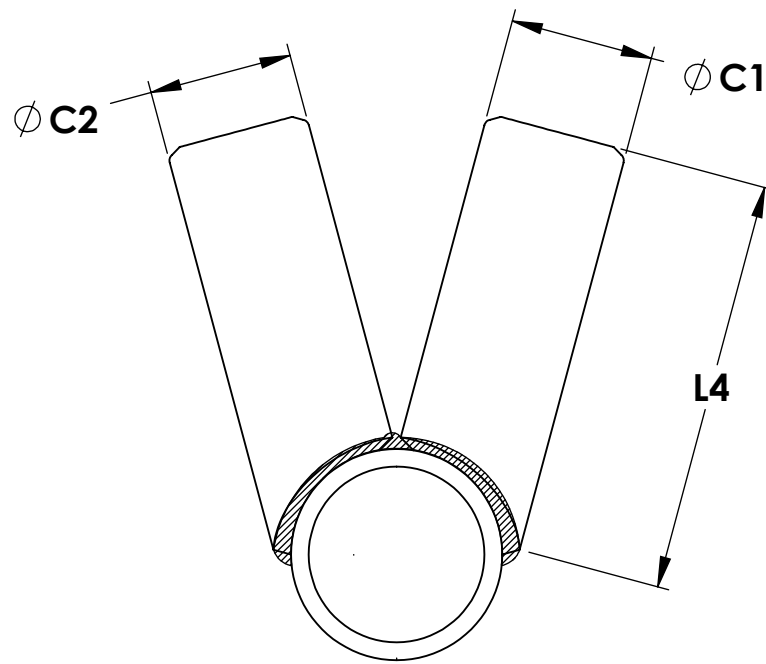


FIGURE B

THIS DRAWING AND THE INFORMATION CONTAINED HEREIN ARE THE PROPERTY OF DMCPower AND SHALL NOT BE COPIED, REPRODUCED OR DISCLOSED WITHOUT EXPRESS AUTHORIZATION BY DMCPower.

TABLE: AVAILABLE OPTIONS:

ASSEMBLY PART NUMBER	PIPE SIZE: (NPS)		APPLICABLE FIGURE	ØC1	ØC2	ØC3	L4 TABS LENGTH	A MAIN RUN					
	TABS	MAIN RUN											
PLK1600D1632	1	2	B	2.000	2.000	3.000	8.750	10.00					
PLK1600D1640		2-1/2											
PLK1600D1648		3											
PLK1600D1656		3-1/2											
PLK1600D1664		4											
PLK1600D2032	1-1/4	2	A	2.500	2.500	3.000	8.460	10.000					
PLK1600D2432	1-1/2	2-1/2	B	2.500	2.500	3.000	8.670						
PLK1600D2440						3.750	3.640						
PLK1600D2440E20													
PLK1600D2440E60													
PLK1600D2448								3	11.75				
PLK1600D2456	3-1/2	5.000											
PLK1600D2464	4	5.500											
PLK1600D3232	2	2	A	3.000	3.000	3.000	9.750	10.00					
PLK1600D3248		3	B			5.000		5.500	6.500	11.75			
PLK1600D3256		3-1/2											
PLK1600D3264		4											
PLK1600D3280		5											
PLK1600D4040	2-1/2	2-1/2	A	3.750	3.750	3.750	11.000	10.00					
PLK1600D4048		3	B			5.500		6.500	11.250	17.00			
PLK1600D4056		3-1/2											
PLK1600D4064		4											
PLK1600D4064E20													
PLK1600D4064E40													
PLK1600D4080		5											
PLK1600D4848	3	3	A	4.375	4.375	4.375	11.250	17.00					
PLK1600D4856		3-1/2				5.000			5.500	6.500	8.000	9.448	22.25
PLK1600D4864		4											
PLK1600D4880		5											
PLK1600D4880E20		6											
PLK1600D4896	6												
PLK1600D5656	3-1/2	3-1/2	A	5.000	5.000	5.000	15.000	11.75					
PLK1600D5664		4	B			5.500	6.500	8.000	11.000	22.25			
PLK1600D5680		5											
PLK1600D5696		6											
PLK1600D5696E20													
PLK1600D6464											4	5.500	5.500
PLK1600D6480	5												
PLK1600D6480E20													
PLK1600D6496													
PLK1600D8080		5	6.500	6.500	6.500	20.000	17.00						

LEGEND

