

FIGURE A

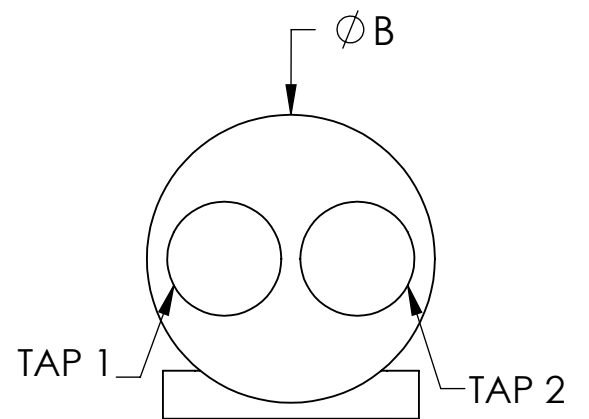
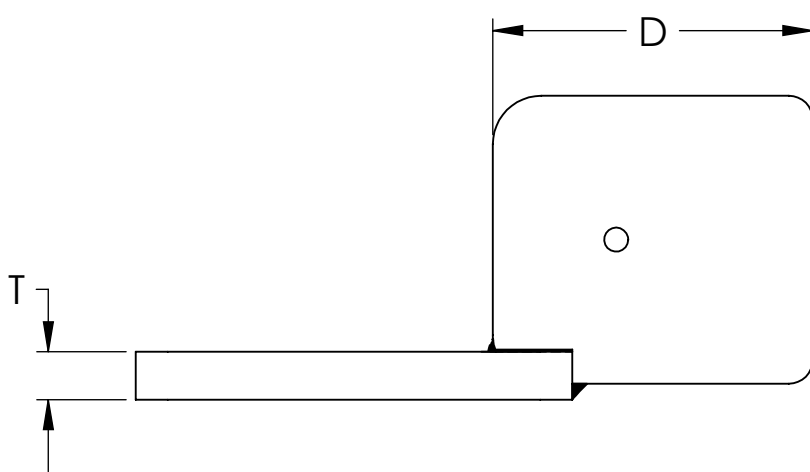
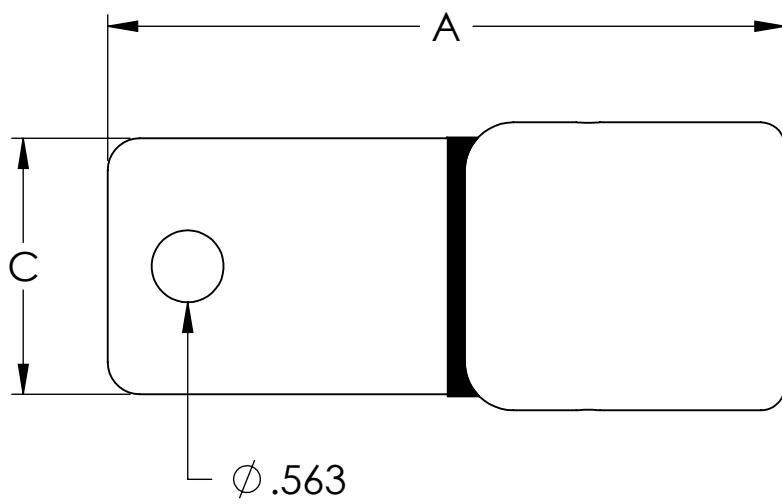


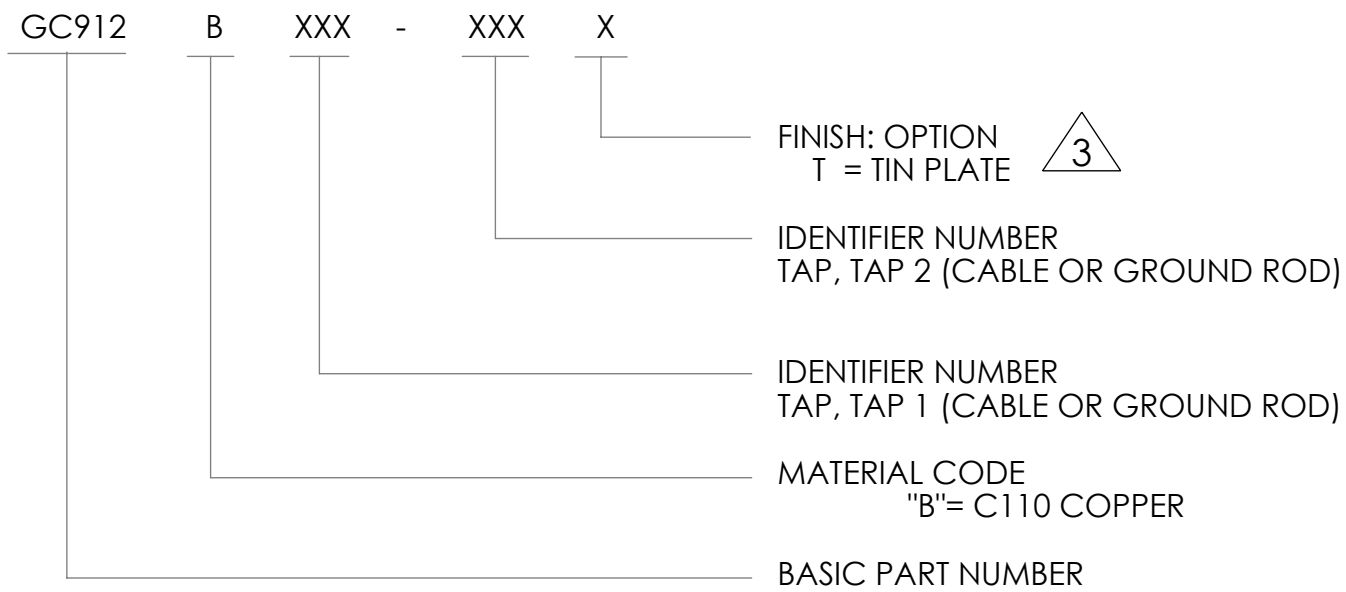
FIGURE B

THIS DRAWING AND THE INFORMATION CONTAINED HEREIN ARE THE PROPERTY OF DMCPower AND SHALL NOT BE COPIED, REPRODUCED OR DISCLOSED WITHOUT EXPRESS AUTHORIZATION BY DMCPower.

TABLE 1: FIGURE A AVAILABLE OPTIONS							
PART NUMBER	FIGURE	A	Ø B	C	T	HEAD ASSY	INSPECTION GAGE
GC912B001-001	A	5.25	1.500	1.75	.4	DLT45CLHA08745	GCIG212-08745
GC912B002-002		5.25	1.500	1.75	.4	DLT45CLHA08745	
GC912B004-004		5.25	1.500	1.75	.4	DLT45CLHA08745	GCIG212-08745

TABLE 2: FIGURE B AVAILABLE OPTIONS										
ASSEMBLY PART NUMBER	FIGURE	A	Ø B	C	D	T	TAP 1	TAP 2	HEAD ASSEMBLY	INSPECTION GAGE
GC912B050-050	B	5.29	2.25	2.00	2.50	0.38	500 MC M	500 MC M	DLT45CLHA15900	GCIC200-15900

LEGEND



THIS DRAWING AND THE INFORMATION CONTAINED HEREIN ARE THE PROPERTY OF DMCPower AND SHALL NOT BE COPIED, REPRODUCED OR DISCLOSED WITHOUT EXPRESS AUTHORIZATION BY DMCPower.