

**FIGURE A: STANDARD CONFIGURATION**

<b>TABLE 1: AVAILABLE OPTIONS</b>						
ASSEMBLY PART NUMBER	(A)	B ±.03	(C)	(ØD)	CABLE SIZE	FIGURE
GC763B16-025	1.50	6.65	1.65	1.25	250 MCM	A
GC763B32-002-90		7.10	2.88		2/0 AWG 1/0 AWG	B
GC763B32-004		7.40	3.38		4/0 AWG 7#5	A
GC763B40-004		8.90	5.00		250 MCM	
GC763B64-025		11.30	7.38		4/0 AWG 7#5	
GC763B96-004						

THIS DRAWING AND THE INFORMATION CONTAINED HEREIN ARE THE PROPERTY OF DMC Power AND SHALL NOT BE COPIED, REPRODUCED OR DISCLOSED WITHOUT EXPRESS AUTHORIZATION BY DMC Power.

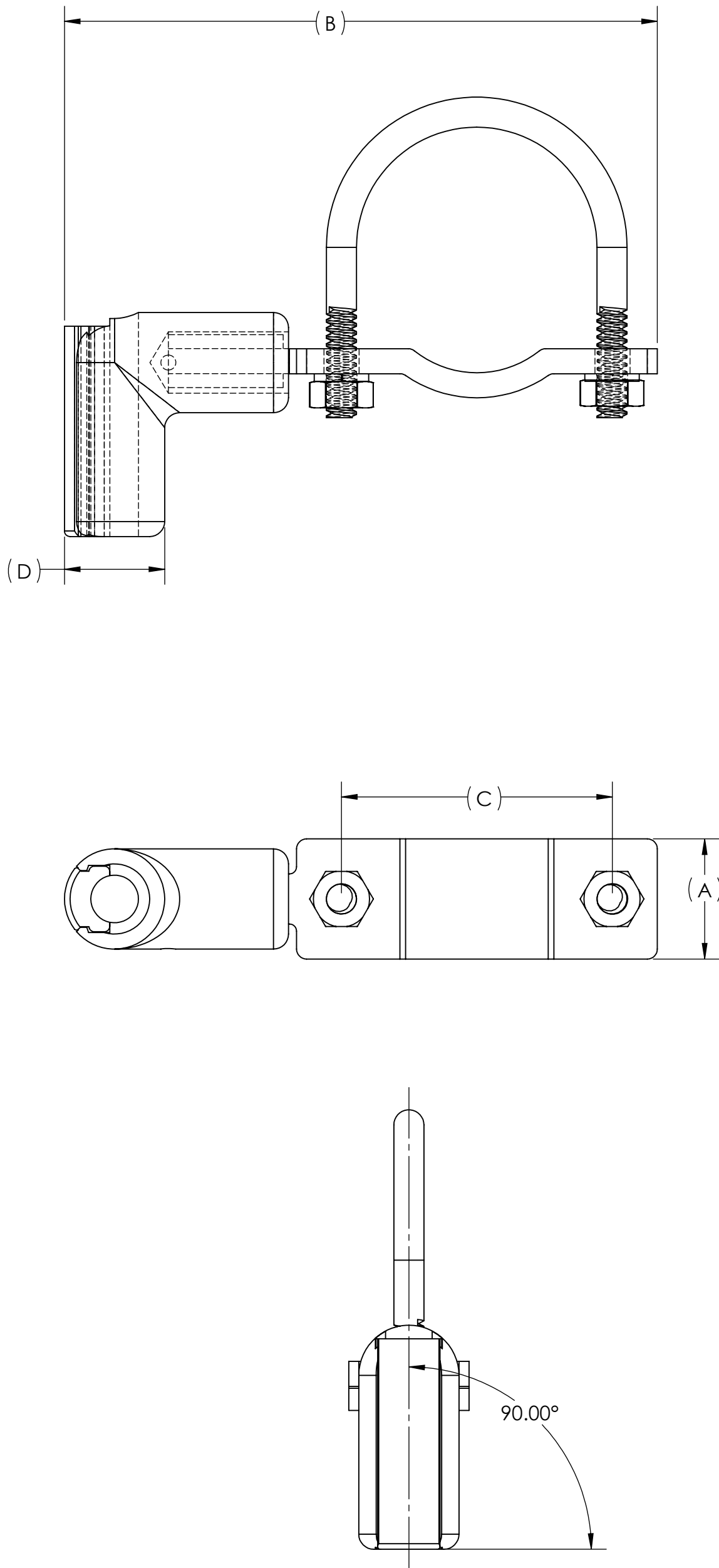
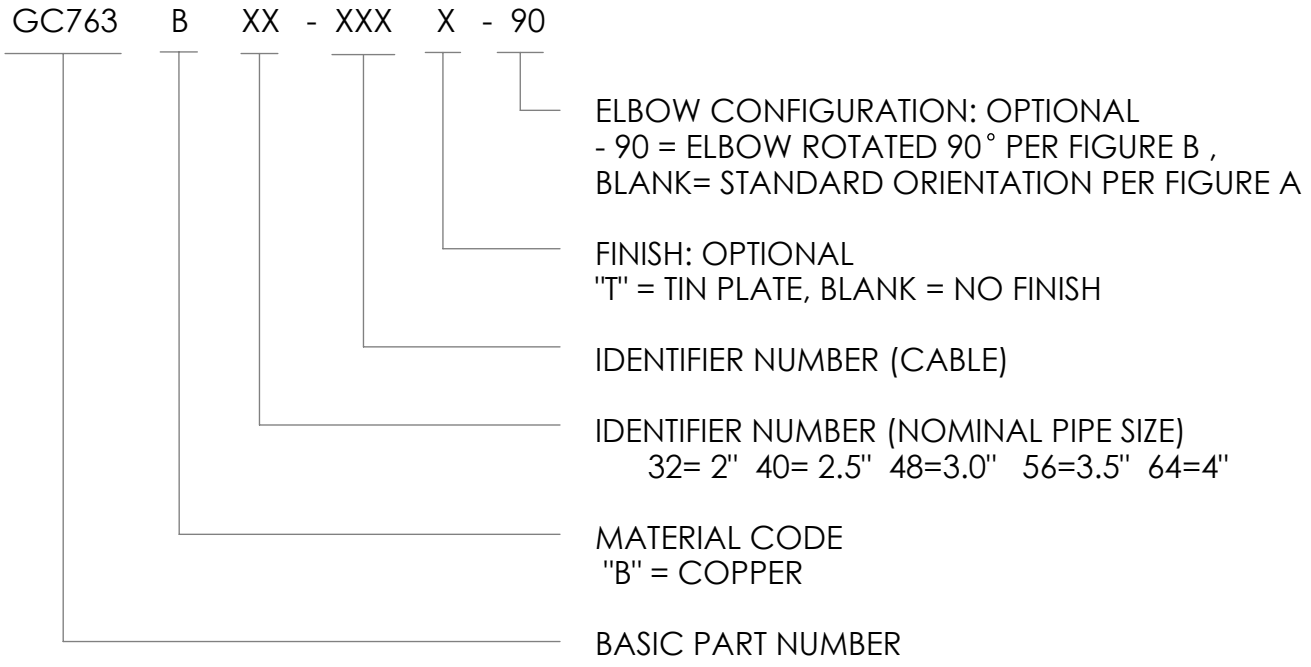


FIGURE B: -90 OPTION

THIS DRAWING AND THE INFORMATION CONTAINED HEREIN ARE THE PROPERTY OF DMCPower AND SHALL NOT BE COPIED, REPRODUCED OR DISCLOSED WITHOUT EXPRESS AUTHORIZATION BY DMCPower.

FOR REVISIONS - SEE SHEET 1

**LEGEND**



THIS DRAWING AND THE INFORMATION CONTAINED HEREIN ARE THE PROPERTY OF DMC Power AND SHALL NOT BE COPIED, REPRODUCED OR DISCLOSED WITHOUT EXPRESS AUTHORIZATION BY DMC Power.

ⓧ FOR REVISIONS - SEE SHEET 1