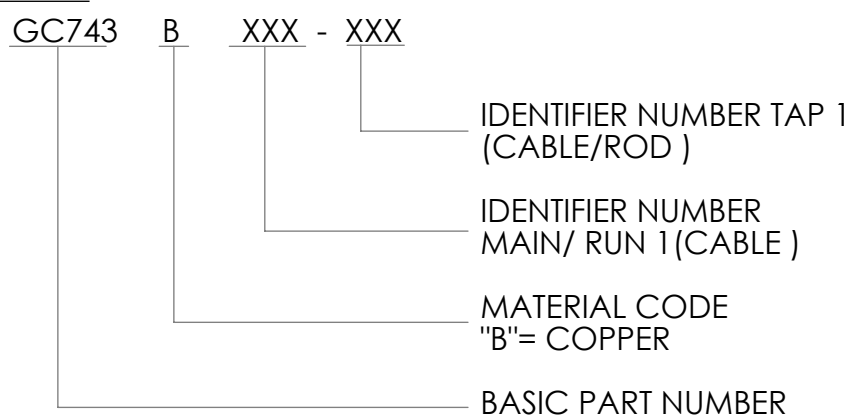


TABLE: AVAILABLE OPTIONS

ASSEMBLY PART NUMBER	A	øB	C
GC743B04G-04G	3.17	1.25	1.00
GC743B02G-004	3.17	1.25	1.00
GC743B002-002	3.17	1.25	1.00
GC743B002-004	3.17	1.25	1.00
GC743B002-025	3.17	1.25	1.00
GC743B002-562	3.17	1.25	1.00
GC743B002-682	3.17	1.25	1.00
GC743B003-003	3.17	1.25	1.00
GC743B003-025	3.17	1.25	1.00
GC743B004-06G	3.17	1.25	1.00
GC743B004-02G	3.17	1.25	1.00
GC743B004-002	3.17	1.25	1.00
GC743B004-004	3.17	1.25	1.00
GC743B004-025	3.17	1.25	1.00
GC743B004-562	3.17	1.25	1.00
GC743B004-625	3.17	1.25	1.00
GC743B004-682	3.17	1.25	1.00
GC743B025-02G	3.17	1.25	1.00
GC743B025-06G	3.17	1.25	1.00
GC743B025-002	3.17	1.25	1.00
GC743B025-004	3.17	1.25	1.00
GC743B025-025	3.17	1.25	1.00
GC743B025-562	3.17	1.25	1.00
GC743B025-682	3.17	1.25	1.00
GC743B682-004	3.17	1.25	1.00
GC743B004-030	3.57	1.50	1.25
GC743B004-914	3.57	1.50	1.25
GC743B025-040	3.57	1.50	1.25
GC743B030-025	3.57	1.50	1.25
GC743B030-030	3.57	1.50	1.25
GC743B035-035	3.57	1.50	1.25
GC743B035-914	3.57	1.50	1.25
GC743B040-004	3.57	1.50	1.25
GC743B040-030	3.57	1.50	1.25
GC743B040-050	3.57	1.50	1.25
GC743B050-025	3.57	1.50	1.25
GC743B050-030	3.57	1.50	1.25
GC743B050-035	3.57	1.50	1.25
GC743B050-040	3.57	1.50	1.25
GC743B050-050	3.57	1.50	1.25
GC743B053-025	3.57	1.50	1.25
GC743B053-053	3.57	1.50	1.25

LEGEND:



THIS DRAWING AND THE INFORMATION CONTAINED HEREIN ARE THE PROPERTY OF DMCPower AND SHALL NOT BE COPIED, REPRODUCED OR DISCLOSED WITHOUT EXPRESS AUTHORIZATION BY DMCPower.