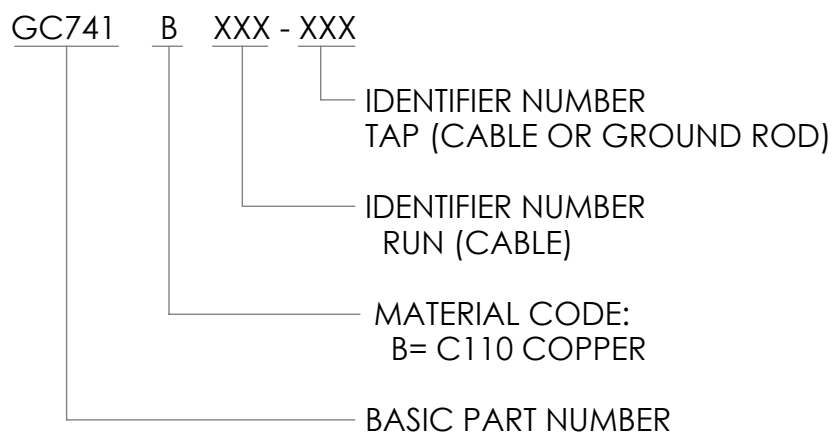


TABLE: AVAILABLE OPTIONS				
PART NUMBER	A	ØB	DESCRIPTION	
			RUN CONDUCTOR	TAP CONDUCTOR
GC741B02G-02G	1.281	0.545	#2 AWG	#2 AWG
GC741BL04G-04G	2.170	1.250	#4 AWG	#4 AWG
GC741B002-562	2.170	1.250	2/0 AWG	5/8" GROUND ROD
GC741B002-002	2.170	1.250	2/0 AWG	2/0 AWG
GC741B002-500	2.170	1.250	2/0 AWG	1/2" GROUND ROD
GC741B003-003	2.170	1.250	3/0 AWG	3/0 AWG
GC741B004-002	2.170	1.250	4/0 AWG	2/0 AWG
GC741B004-004	2.170	1.250	4/0 AWG	4/0 AWG
GC741B004-562	2.170	1.250	4/0 AWG	5/8" GROUND ROD
GC741B004-682	2.170	1.250	4/0 AWG	3/4" GROUND ROD
GC741B004-050	2.300	1.500	4/0 AWG	500 MCM
GC741B004-750	2.300	1.500	4/0 AWG	3/4" STEEL ROD
GC741B025-02G	2.170	1.250	250 MCM	#2 AWG
GC741B025-025	2.170	1.250	250 MCM	250 MCM
GC741B025-002	2.170	1.250	250 MCM	2/0 AWG
GC741B025-003	2.170	1.250	250 MCM	3/0 AWG
GC741B025-562	2.170	1.250	250 MCM	5/8" GROUND ROD
GC741B025-682	2.170	1.250	250 MCM	3/4" GROUND ROD
GC741B562-025	2.170	1.250	5/8" GROUND ROD	250 MCM
GC741B030-030	2.300	1.500	300 MCM/5/8 ROD	300 MCM/5/8 ROD
GC741B030-050	2.300	1.500	300 MCM/5/8 ROD	500 MCM
GC741B050-025	2.300	1.500	500 MCM	250 MCM
GC741B050-030	2.300	1.500	500 MCM	300 MCM/5/8 ROD
GC741B050-040	2.300	1.500	500 MCM	400 MCM/3/4" ROD
GC741B050-050	2.300	1.500	500 MCM	500 MCM

LEGEND



THIS DRAWING AND THE INFORMATION CONTAINED HEREIN ARE THE PROPERTY OF DMCPower AND SHALL NOT BE COPIED, REPRODUCED OR DISCLOSED WITHOUT EXPRESS AUTHORIZATION BY DMCPower.