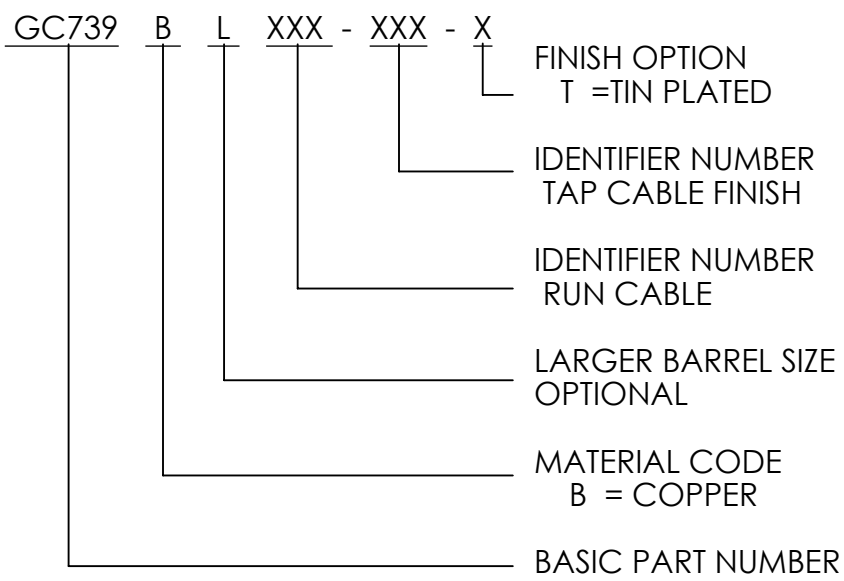


FIGURE A

LEGEND



THIS DRAWING AND THE INFORMATION CONTAINED HEREIN ARE THE PROPERTY OF DMCPower AND SHALL NOT BE COPIED, REPRODUCED OR DISCLOSED WITHOUT EXPRESS AUTHORIZATION BY DMCPower.

TABLE: FIGURE A AVAILABLE OPTIONS

ASSEMBLY	A	B	RUN CONDUCTOR	TAP CONDUCTOR	
GC739B06G-004	2.17	1.00	#6 AWG	4/0 AWG	
GC739BL06G-004		1.25	#6 AWG	4/0 AWG	
GC739B04G-025			#4 AWG	250 MCM 1/2" COPPER BONDED ROD	
GC739B002-02G			1/0 AWG 2/0 AWG	#2 AWG	
GC739B002-002				1/0 AWG 2/0 AWG	
GC739B002-003				3/0 AWG	
GC739B002-004				4/0 AWG	
GC739B002-025				250 MCM 1/2" COPPER BONDED ROD	
GC739B002-562				5/8" COPPER BONDED ROD	
GC739B002-682				3/4" COPPER BONDED ROD	
GC739B003-002				3/0 AWG	1/0 AWG 2/0 AWG
GC739B003-003					3/0 AWG
GC739B003-004					4/0 AWG
GC739B003-025			250 MCM 1/2" COPPER BONDED ROD		
GC739B003-562			5/8" COPPER BONDED ROD		
GC739B003-625			5/8" STEEL ROD		
GC739B003-682			3/4" COPPER BONDED ROD		
GC739B004-02G			4/0AWG		#2 AWG
GC739B004-002					1/0 AWG 2/0 AWG
GC739B004-004					4/0 AWG
GC739B004-025		250 MCM 1/2" COPPER BONDED ROD			
GC739B004-562		5/8" COPPER BONDED ROD			
GC739B004-625		5/8" STEEL ROD			
GC739B004-682		3/4" COPPER BONDED ROD			
GC739B025-02G		250 MCM 1/2" COPPER BONDED ROD		#2 AWG	
GC739B025-002				1/0 AWG 2/0 AWG	
GC739B025-004				4/0 AWG	
GC739B025-025			250 MCM 1/2" COPPER BONDED ROD		
GC739B025-562			5/8" COPPER BONDED ROD		
GC739B025-682			3/4" COPPER BONDED ROD		
GC739B500-004		1/2" STEEL ROD	4/0 AWG		
GC739B562-004		5/8" COPPER BONDED ROD	4/0 AWG		
GC739B625-002		5/8" STEEL ROD	1/0 AWG 2/0 AWG		

THIS DRAWING AND THE INFORMATION CONTAINED HEREIN ARE THE PROPERTY OF DMCPower AND SHALL NOT BE COPIED, REPRODUCED OR DISCLOSED WITHOUT EXPRESS AUTHORIZATION BY DMCPower.

TABLE: FIGURE A AVAILABLE OPTIONS CONT'D

ASSEMBLY	A	B	RUN CONDUCTOR	TAP CONDUCTOR		
GC739B002-053	2.30	1.50	2/0 AWG	500 MCM ROPE-LAY		
GC739B004-030	2.30	1.50	4/0 AWG	300 MCM 5/8" COPPER CLAD		
GC739B025-035			250 MCM	350 MCM 5/8" STEEL ROD		
GC739B025-050				500 MCM		
GC739B030-02G			300 MCM 5/8" COPPER CLAD	#2 AWG		
GC739B030-025				250 MCM 1/2" COPPER BONDED ROD		
GC739B030-030				300 MCM 5/8" COPPER CLAD		
GC739B030-040				400 MCM 3/4" COPPER CLAD		
GC739B035-02G				#2 AWG		
GC739B035-004			350 MCM 5/8" COPPER CLAD	4/0 AWG 1/2" COPPER BONDED ROD		
GC739B035-025				250 MCM 1/2" COPPER BONDED ROD		
GC739B035-030				300 MCM 5/8" COPPER CLAD		
GC739B035-035				350 MCM 5/8" STEEL ROD		
GC739B035-914				1" COPPER BONDED ROD		
GC739B004-050			2.30	1.50	4/0 AWG	500 MCM
GC739B004-914					1" COPPER BONDED ROD	
GC739B040-02G					400MCM 3/4" COPPER CLAD	#2 AWG
GC739B040-025						250 MCM 1/2" COPPER BONDED ROD
GC739B040-030	300 MCM 5/8" COPPER CLAD					
GC739B040-035	350 MCM 5/8" STEEL ROD					
GC739B040-040	400 MCM 3/4" COPPER CLAD					
GC739B050-004	500 MCM	4/0 AWG				
GC739B050-025		250 MCM 1/2" COPPER BONDED ROD				
GC739B050-030		300 MCM 5/8" COPPER CLAD				
GC739B050-040		400 MCM/ 3/4" COPPER CLAD				
GC739B050-050		500 MCM				
GC739B050-053		500 MCM ROPE-PLAY				
GC739B050-682		3/4" COPPER BONDED ROD				

THIS DRAWING AND THE INFORMATION CONTAINED HEREIN ARE THE PROPERTY OF DMCPower AND SHALL NOT BE COPIED, REPRODUCED OR DISCLOSED WITHOUT EXPRESS AUTHORIZATION BY DMCPower.

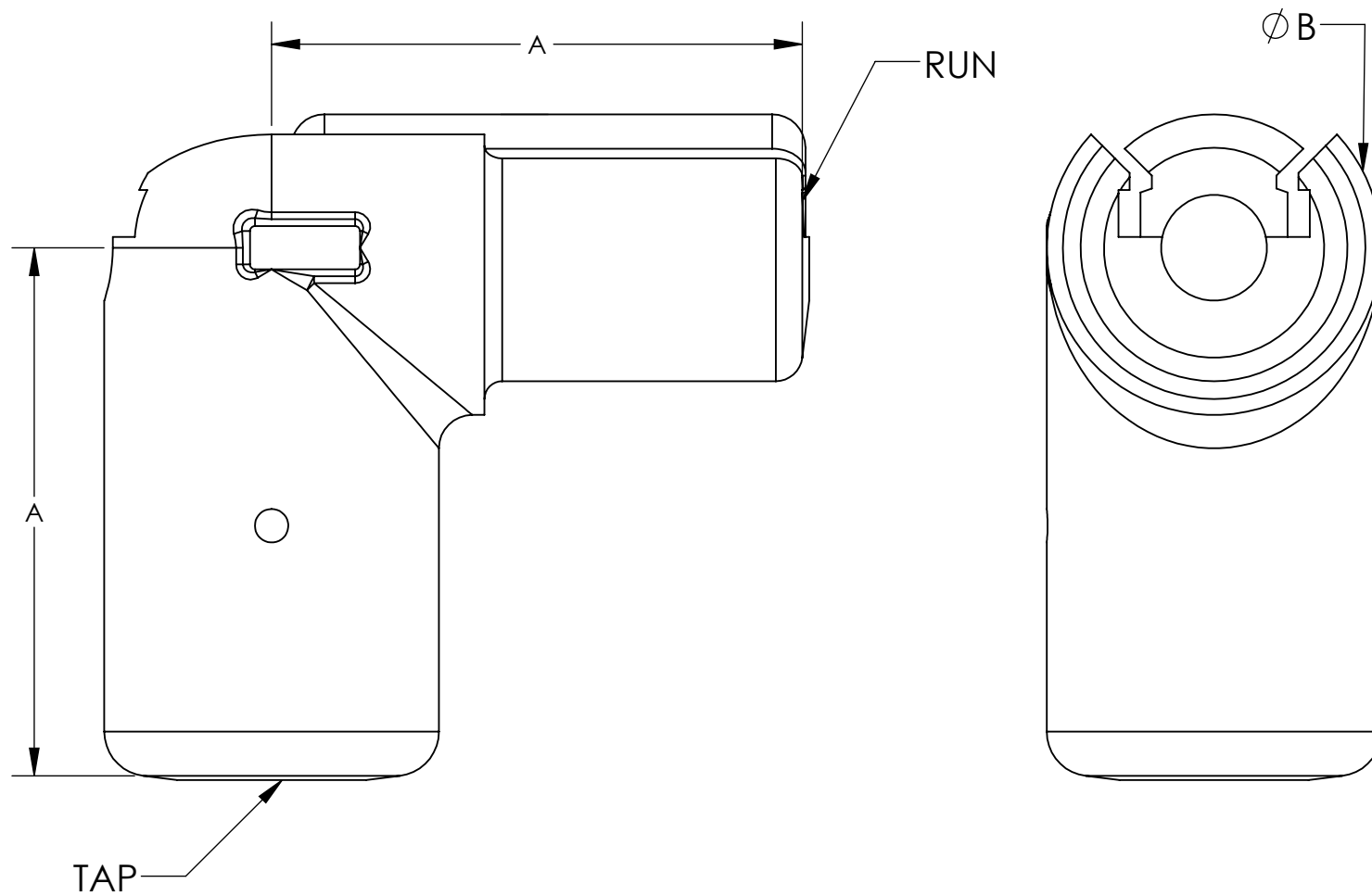


FIGURE B

TABLE: FIGURE B AVAILABLE OPTIONS

ASSEMBLY	A	Ø B	RUN CONDUCTOR	TAP CONDUCTOR
GC739B004-075	2.97	1.50/1.88	4/0 AWG 1/2" COPPER BONDED ROD	750 MCM
GC739B075-075		1.88	750 MCM	750 MCM
GC739B950-004		1.88/1.50	#8 REBAR	4/0 AWG