

FIGURE A

TABLE: FIGURE A AVAILABLE OPTIONS

ASSEMBLY	INNER HALF	OUTER HALF - TEE	A	B	DESCRIPTION	
			±.02	±.01	RUN CONDUCTOR	TAP CONDUCTOR
GC733B06G-06G	GC755B06G	GC756B06G-06G	2.17	1.25	#6 AWG	#6 AWG
GC733B06G-002	GC755B06G	GC756B06G-002			#6 AWG	2/0 AWG
GC733B06G-004	GC755B06G	GC756B06G-004			#6 AWG	4/0 AWG
GC733B06G-025	GC755B06G	GC756B06G-025			#6 AWG	250 MCM
GC733B04G-04G	GC755B04G	GC756B04G-04G			#4 AWG	#4 AWG
GC733B04G-02G	GC755B04G	GC756B04G-02G			#4 AWG	#2 AWG
GC733B04G-025	GC755B04G	GC756B04G-025			#4 AWG	250 MCM
GC733B02G-06G	GC755B02G	GC756B02G-06G			#2 AWG	#6 AWG
GC733B02G-04G	GC755B02G	GC756B02G-04G			#2 AWG	#4 AWG
GC733B02G-02G	GC755B02G	GC756B02G-02G			#2 AWG	#2 AWG
GC733B02G-002	GC755B02G	GC756B02G-002			#2 AWG	2/0 AWG
GC733B02G-025	GC755B02G	GC756B02G-025			#2 AWG	250 MCM
GC733B002-04G	GC755B002	GC756B002-04G			2/0 AWG	#4 AWG
GC733B002-02G	GC755B002	GC756B002-02G			2/0 AWG	#2 AWG
GC733B002-002	GC755B002	GC756B002-002			2/0 AWG	2/0 AWG
GC733B002-004	GC755B002	GC756B002-004			2/0 AWG	4/0 AWG
GC733B002-025	GC755B002	GC756B002-025			2/0 AWG	250 MCM
GC733B002-562	GC755B002	GC756B002-562			2/0 AWG	5/8" GROUND ROD
GC733B002-625	GC755B002	GC756B002-625			2/0 AWG	5/8" STEEL ROD
GC733B002-682	GC755B002	GC756B002-682			2/0 AWG	3/4" GROUND ROD
GC733B003-02G	GC755B003	GC756B003-02G			3/0 AWG	# 2 AWG
GC733B003-002	GC755B003	GC756B003-002			4/0 SOLID COPPER WIRE	2/0 AWG
GC733B003-003	GC755B003	GC756B003-003			3/0 AWG	3/0 AWG
GC733B003-004	GC755B003	GC756B003-004			4/0 SOLID COPPER WIRE	4/0 SOLID COPPER WIRE
GC733B003-025	GC755B003	GC756B003-025			3/0 AWG	4/0 AWG
GC733B004-06G	GC755B004R	GC756B004-06G			4/0 SOLID COPPER WIRE	250 MCM
GC733B004-04G	GC755B004R	GC756B004-04G			4/0 AWG	# 6 AWG
GC733B004-02G	GC755B004R	GC756B004-02G			4/0 AWG	# 4 AWG
GC733B004-002	GC755B004R	GC756B004-002			4/0 AWG	# 2 AWG
GC733B004-003	GC755B004R	GC756B004-003			4/0 AWG	2/0 AWG
GC733B004-004	GC755B004R	GC756B004-004			4/0 AWG	3/0 AWG
GC733B004-025	GC755B004R	GC756B004-025			4/0 AWG	4/0 SOLID COPPER WIRE
GC733B004-562	GC755B004R	GC756B004-562			4/0 AWG	4/0 AWG
GC733B004-625	GC755B004R	GC756B004-625			4/0 AWG	250 MCM
GC733B004-682	GC755B004R	GC756B004-682			4/0 AWG	5/8" GROUND ROD
GC733B025-06G	GC755B025R	GC756B025-06G			4/0 AWG	5/8" STEEL ROD
GC733B025-04G	GC755B025R	GC756B025-04G			4/0 AWG	3/4" GROUND ROD
GC733B025-02G	GC755B025R	GC756B025-02G			250 MCM	# 6 AWG
GC733B025-002	GC755B025R	GC756B025-002			250 MCM	# 4 AWG
GC733B025-003	GC755B025R	GC756B025-003			250 MCM	# 2 AWG
GC733B025-004	GC755B025R	GC756B025-004	250 MCM	2/0 AWG		
GC733B025-025	GC755B025R	GC756B025-025R	250 MCM	3/0 AWG		
GC733B025-500	GC755B025R	GC756B025-500	250 MCM	4/0 SOLID COPPER WIRE		
GC733B025-562	GC755B025R	GC756B025-562	250 MCM	4/0 AWG		
GC733B025-682	GC755B025R	GC756B025-682	250 MCM	250 MCM		
GC733B500-004	GC755B500	GC756B500-004	1/2" STEEL ROD	5/8" GROUND ROD		
GC733B562-004	GC755B562	GC756B562-004	5/8" GROUND ROD	4/0 AWG		
GC733B682-004	GC755B682	GC756B682-004	3/4" GROUND ROD	4/0 AWG		
GC733B682-025	GC755B682	GC756B682-025	3/4" GROUND ROD	250 MCM		

THIS DRAWING AND THE INFORMATION CONTAINED HEREIN ARE THE PROPERTY OF DMC Power AND SHALL NOT BE COPIED, REPRODUCED OR DISCLOSED WITHOUT EXPRESS AUTHORIZATION BY DMC Power.

TABLE: FIGURE A AVAILABLE OPTIONS

ASSEMBLY	INNER HALF	OUTER HALF - TEE	A		B		DESCRIPTION	
			±.02	±.01	RUN CONDUCTOR	TAP CONDUCTOR		
GC733B002-002	GC755B002	GC756B002-002	2.17	1.25			2/0 AWG	2/0 AWG
GC733B002-004	GC755B002	GC756B002-004					2/0 AWG	4/0 AWG
GC733B002-025	GC755B002	GC756B002-025					2/0 AWG	250 MCM
GC733B002-562	GC755B002	GC756B001-562					2/0 AWG	5/8" GROUND ROD
GC733B002-682	GC755B002	GC756B002-682					2/0 AWG	3/4" GROUND ROD
GC733B003-002	GC755B003	GC756B003-002					3/0 AWG	2/0 AWG
							4/0 SOLID COPPER WIRE	
GC733B003-003	GC755B003	GC756B003-003					3/0 AWG	3/0 AWG
							4/0 SOLID COPPER WIRE	4/0 SOLID COPPER WIRE
GC733B003-025	GC755B003	GC756B003-025					3/0 AWG	250 MCM
							4/0 SOLID COPPER WIRE	
GC733B004-02G	GC755B004	GC756B004-02G					4/0 AWG	#2 AWG
GC733B004-002	GC755B004	GC756B004-002					4/0 AWG	2/0 AWG
GC733B004-004	GC755B004	GC756B004-004					4/0 AWG	4/0 AWG
GC733B004-562	GC755B004	GC756B004-562					4/0 AWG	5/8" GROUND ROD
GC733B004-682	GC755B004	GC756B004-682					4/0 AWG	3/4" GROUND ROD
GC733B025-04G	GC755B025	GC756B025-04G					250 MCM	#4 AWG
GC733B025-02G	GC755B025	GC756B025-02G					250 MCM	#2 AWG
GC733B025-002	GC755B025	GC756B025-002					250 MCM	2/0 AWG
GC733B025-003	GC755B025	GC756B025-003					250 MCM	3/0 AWG
								4/0 SOLID COPPER WIRE
GC733B025-004	GC755B025	GC756B025-004					250 MCM	4/0 AWG
GC733B025-025	GC755B025	GC756B025-025					250 MCM	250 MCM
GC733B025-562	GC755B025	GC756B025-562					250 MCM	5/8" GROUND ROD
GC733B025-682	GC755B025	GC756B025-682					250 MCM	3/4" GROUND ROD
GC733BL002-002	GC755BL002	GC756BL002-002					2/0 AWG	2/0 AWG
GC733B002-030	GC755BL002	GC756B002-030	2/0 AWG	300 MCM				
GC733B002-040	GC755BL002	GC756B002-040	2/0 AWG	400 MCM/3/4" ROD				
GC733B002-050	GC755BL002	GC756B002-050	2/0 AWG	500 MCM				
GC733B003-050	GC755BL003	GC756B003-050	3/0 AWG	500 MCM				
			4/0 SOLID COPPER WIRE					
GC733BL004-004	GC755BL004	GC756BL004-004	4/0 AWG	4/0 AWG				
GC733B004-030	GC755BL004	GC756B004-030	4/0 AWG	300 MCM/5/8" ROD				
GC733B004-035	GC755BL004	GC756B004-035	4/0 AWG	5/8" STEEL PLAIN & #5 STEEL REBAR / 350MCM				
GC733B004-040	GC755BL004	GC756B004-040	4/0 AWG	400 MCM/3/4" ROD				
GC733B004-050	GC755BL004	GC756B004-050	4/0 AWG	500 MCM				
GC733B004-750	GC755BL004	GC756B004-750	4/0 AWG	3/4" STEEL ROD				
GC733B004-914	GC755BL004	GC756B004-914	4/0 AWG	1" GROUND ROD				
GC733B025-030	GC755BL025	GC756B025-030	250 MCM/ 1/2" ROD	300 MCM				
GC733B025-035	GC755BL025	GC756B025-035	250 MCM	350 MCM				
GC733B025-040	GC755BL025	GC756B025-040	250 MCM	400 MCM/3/4" ROD				
GC733B025-050	GC755BL025	GC756B025-050	250 MCM	500 MCM				
GC733B025-750	GC755BL025	GC756B025-750	250 MCM	3/4" STEEL ROD				
GC733B025-914	GC755BL025	GC756B025-914	250 MCM	1" GROUND ROD				
GC733B030-04G	GC755B030	GC756B030-04G	300 MCM	#4 AWG				
GC733B030-02G	GC755B030	GC756B030-02G	300 MCM/5/8" ROD	#2 AWG				
GC733B030-002	GC755B030	GC756B030-002	300 MCM	2/0 AWG				
GC733B030-004	GC755B030	GC756B030-004	300 MCM	4/0 AWG				
GC733B030-025	GC755B030	GC756B030-025	300 MCM	250 MCM				
GC733B030-030	GC755B030	GC756B030-030	300 MCM	300 MCM				
GC733B030-035	GC755B030	GC756B030-035	300 MCM	5/8" STEEL PLAIN & #5 STEEL REBAR/				
GC733B030-040	GC755B030	GC756B030-040	300 MCM	400 MCM/3/4" ROD				
GC733B030-050	GC755B030	GC756B030-050	300 MCM	500 MCM				
GC733B030-053	GC755B030	GC756B030-053	300 MCM	500 ROPELAY				
GC733B035-06G	GC755B035	GC756B035-06G	350 MCM/#5 STEEL REBAR	#6 AWG				
GC733B035-004	GC755B035	GC756B035-004	350 MCM/#5 STEEL REBAR	4/0 AWG				
GC733B035-025	GC755B035	GC756B035-025	350 MCM/#5 STEEL REBAR	250 MCM				
GC733B035-030	GC755B035	GC756B035-030	350 MCM/#5 STEEL REBAR	300 MCM				
GC733B035-035	GC755B035	GC756B035-035	350 MCM/#5 STEEL REBAR	350 MCM/#5 STEEL REBAR				
GC733B035-040	GC755B035	GC756B035-040	350 MCM/#5 STEEL REBAR	400 MCM				
GC733B035-050	GC755B035	GC756B035-050	350 MCM/#5 STEEL REBAR	500 MCM				
GC733B040-002	GC755B040	GC756B040-002	400 MCM	2/0 AWG				
GC733B040-004	GC755B040	GC756B040-004	400 MCM	4/0 AWG				
GC733B040-030	GC755B040	GC756B040-030	400 MCM	300 MCM				
GC733B040-040	GC755B040	GC756B040-040	400 MCM	400 MCM/3/4" ROD				
GC733B040-050	GC755B040	GC756B040-050	400 MCM	500 MCM				
GC733B040-053	GC755B040	GC756B040-053	400 MCM	500 ROPELAY				
GC733B050-06G	GC755B050	GC756B050-06G	500 MCM	#6 AWG				
GC733B050-04G	GC755B050	GC756B050-04G	500 MCM	#4 AWG				
GC733B050-02G	GC755B050	GC756B050-02G	500 MCM	#2 AWG				
GC733B050-002	GC755B050	GC756B050-002	500 MCM	2/0 AWG				
GC733B050-004	GC755B050	GC756B050-004	500 MCM	4/0 AWG				
GC733B050-025	GC755B050	GC756B050-025R	500 MCM	250 MCM				
GC733B050-040	GC755B050	GC756B050-040	500 MCM	400 MCM/3/4" ROD				
GC733B050-050	GC755B050	GC756B050-050R	500 MCM	500 MCM				
GC733B050-053	GC755B050	GC756B050-053	500 MCM	500 ROPELAY				
GC733B050-750	GC755B050	GC756B050-750	500 MCM	3/4" STEEL ROD				
GC733B050-030	GC755B050	GC756B050-030	500 MCM	300 MCM/5/8" ROD				
GC733B050-035	GC755B050	GC756B050-035	500 MCM	350 MCM				

THIS DRAWING AND THE INFORMATION CONTAINED HEREIN ARE THE PROPERTY OF DMC Power AND SHALL NOT BE COPIED, REPRODUCED OR DISCLOSED WITHOUT EXPRESS AUTHORIZATION BY DMC Power.

FOR REVISIONS - SEE SHEET 1



TITLE **GroundLok CONNECTOR SPLIT TEE**

DWG NO **GC733**

SIZE **B** SHEET 2 OF 4

TABLE: FIGURE A AVAILABLE OPTIONS CONT'D

GC733B050-040	GC755B050	GC756B050-040	2.30	1.50	500 MCM	3/4" GROUND ROD
GC733B050-914	GC755B050	GC756B050-914			500 MCM	1" GROUND ROD
GC733B750-004	GC755B750	GC756B750-004			3/4" STEEL ROD	4/0 AWG
GC733B750-050	GC755B750	GC756B750-050			3/4" STEEL ROD	500 MCM
GC733B053-02G	GC755B053	GC756B053-02G			500 ROPELAY	#2 AWG
GC733B053-030	GC755B053	GC756B053-030			500 ROPELAY	300 MCM/3/4" ROD
GC733B053-040	GC755B053	GC756B053-040			500 ROPELAY	400 MCM/3/4" ROD
GC733B053-050	GC755B053	GC756B053-050			500 ROPELAY	500 ROPELAY
GC733B053-053	GC755B053	GC756B053-053			500 ROPELAY	500 ROPELAY

THIS DRAWING AND THE INFORMATION CONTAINED HEREIN ARE THE PROPERTY OF DMC Power AND SHALL NOT BE COPIED, REPRODUCED OR DISCLOSED WITHOUT EXPRESS AUTHORIZATION BY DMC Power.

AC FOR REVISIONS - SEE SHEET 1

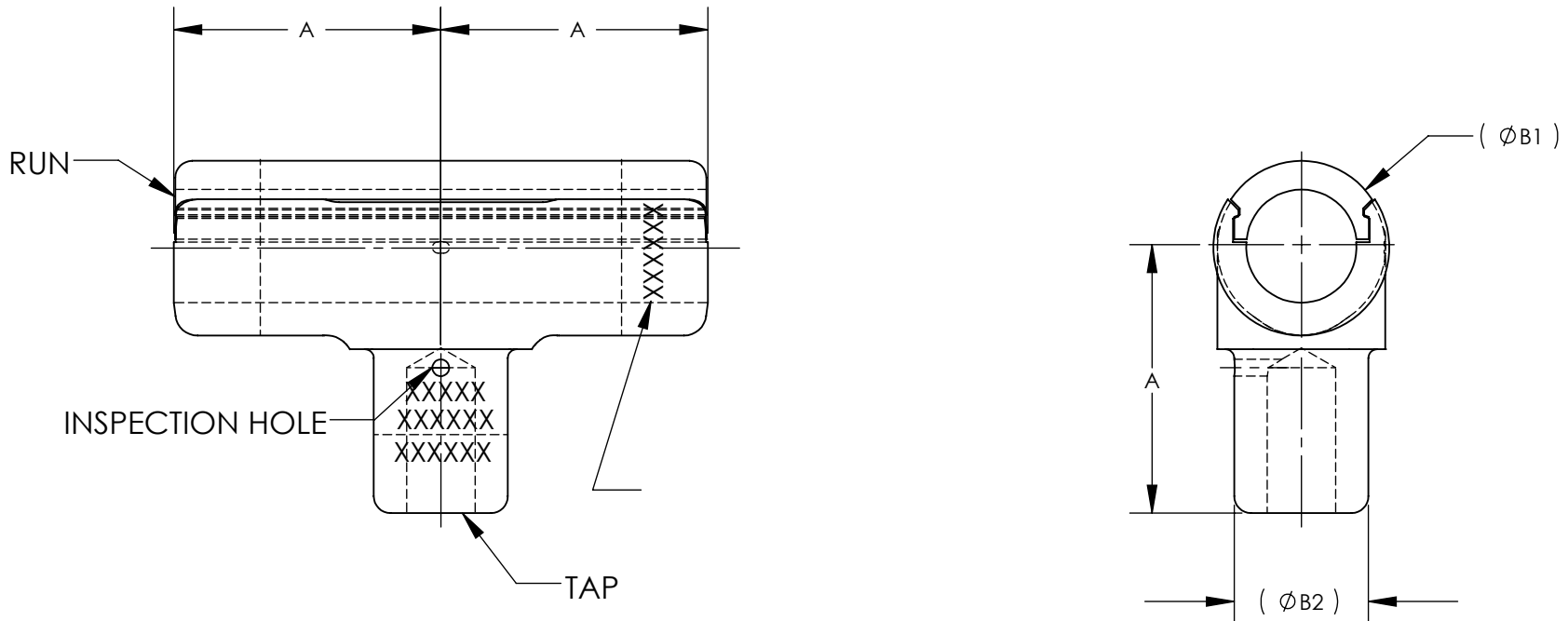
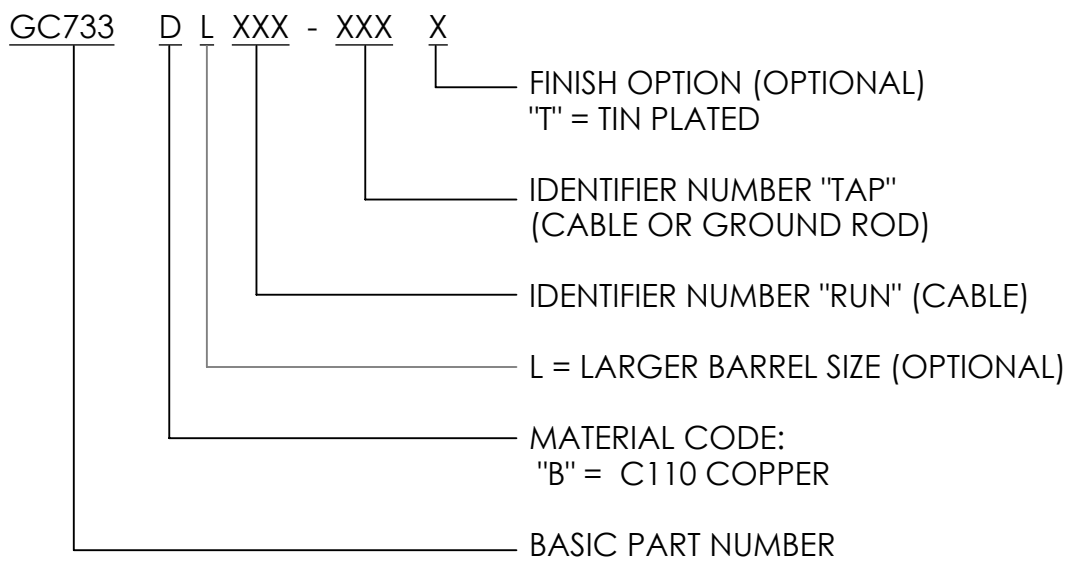


FIGURE B

TABLE: FIGURE B AVAILABLE OPTIONS								
ASSEMBLY	INNER HALF	OUTER HALF - TEE	A	ØB1	ØB2	DESCRIPTION		QUALIFIED PER
			±.02	±.01	±.01	RUN CONDUCTOR	TAP CONDUCTOR	
GC733B004-100	GC755B004L	GC756B004-100	2.97	1.50	1.88	4/0 AWG	1000 MCM	
GC733B030-075	GC755B030L	GC756B030-075			1.88	300 MCM	750 MCM	
GC733B075-002	GC755B075	GC756B075-002			1.50	750 MCM	2/0 AWG	
GC733B075-004	GC755B075	GC756B075-004			1.50	750 MCM	4/0 AWG	
GC733B075-025	GC755B075	GC756B075-025			1.50	750 MCM	250 MCM / 1/2" ROD	
GC733B075-030	GC755B075	GC756B075-030			1.50	750 MCM	300 MCM / 5/8" ROD	
GC733B075-035	GC755B075	GC756B075-035			1.50	750 MCM	350 MCM	
GC733B075-040	GC755B075	GC756B075-040			1.50	750 MCM	400 MCM / 3/4" ROD	
GC733B075-050	GC755B075	GC756B075-050			1.88	750 MCM	500 MCM	IEEE
GC733B075-053	GC755B075	GC756B075-053			1.88	750 MCM	500 MCM ROPELAY	
GC733B100-035	GC755B100	GC756B100-035		1.88	1.50	1000 MCM	350 MCM	
GC733B100-040	GC755B100	GC756B100-040					400 MCM / 3/4" ROD	
GC733B075-075	GC755B075	GC756B075-075			1.88	750 MCM	750 MCM	
GC733B050-075	GC755BL050	GC756B050-075			1.88	500 MCM	750 MCM	
GC733B050-080	GC755BL050	GC756B050-080			1.88	500 MCM	800 MCM	
GC733B080-050	GC755B080	GC756B080-050			1.88	800 MCM	500 MCM	
GC733B080-080	GC755B080	GC756B080-080			1.88	800 MCM	800 MCM	
GC733B100-004	GC755B100	GC756B100-004			1.50	1000 MCM	4/0 AWG	
GC733B100-050	GC755B100	GC756B100-050			1.88	1000 MCM	500 MCM	

LEGEND



THIS DRAWING AND THE INFORMATION CONTAINED HEREIN ARE THE PROPERTY OF DMC Power AND SHALL NOT BE COPIED, REPRODUCED OR DISCLOSED WITHOUT EXPRESS AUTHORIZATION BY DMC Power.

AC FOR REVISIONS - SEE SHEET 1