

FIGURE 1

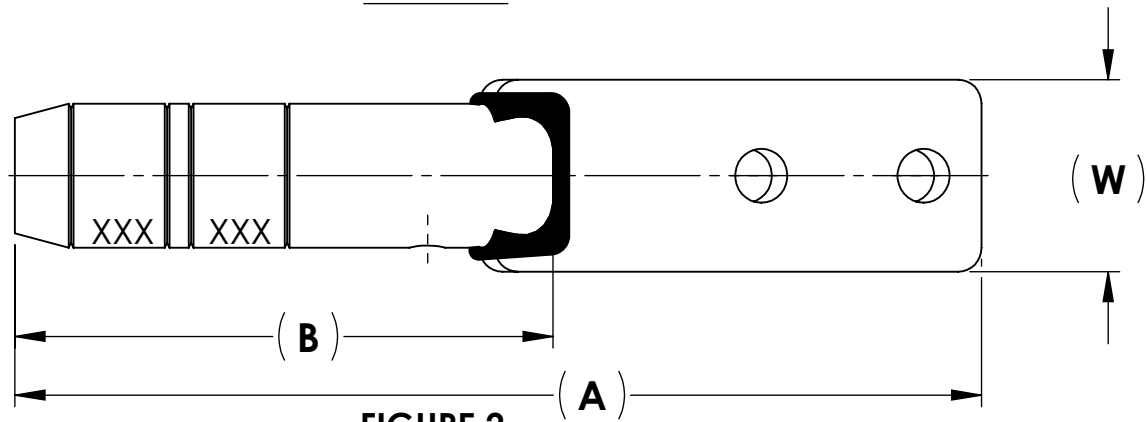


FIGURE 2

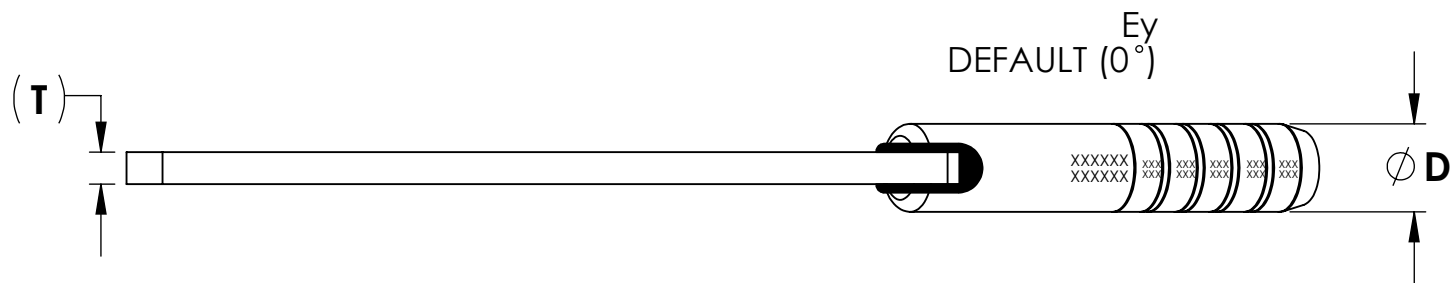


FIGURE 3 - SPECIAL CASE

THIS DRAWING AND THE INFORMATION CONTAINED HEREIN ARE THE PROPERTY OF DMC Power AND SHALL NOT BE COPIED, REPRODUCED OR DISCLOSED WITHOUT EXPRESS AUTHORIZATION BY DMC Power.

**TABLE 1: AVAILABLE OPTIONS AND BILL OF MATERIALS**

PART NUMBER	DS300 END STD IDENTIFIER NUMBER	(ØD)	(A) ±.03	(B)	C ±.01	(EY) ①	(T) ②	(W)	FIGURE NO. ③
DC94-150-0F	0FJ	1.500	10.19	5.725	4.63	15	0.625	2.00	2
DC94-150-0F-30			9.93		4.85	30			
DC94-150-0F-45			9.19		4.90	45			
DC94-150-01	01J		10.19		4.63	15			
DC94-150-0H	0HJ		10.19		4.63	15			
DC94-150-0C	0CJ		10.19		4.63	15			
DC94-150-0C-30			9.93		4.85	30			
DC94-150-0C-45			9.19		4.90	45			
DC94-150-02	02J		10.19		4.63	15			
DC94-150-02-30			9.93		4.85	30			
DC94-150-02-45			9.19		4.90	45			
DC94-150-04	04J		10.19		4.63	15			
DC94-150-04-30			9.93		4.85	30			
DC94-150-04-45			9.19		4.90	45			
DC94-150-04-E2			10.19		4.63	15			
DC94-150-04-E3			10.67		5.13	15			
DC94-150-M46			M46J		10.19	4.63			
DC94-150-10	10J		10.19		4.63	15			
DC94-150-10-30			9.93		4.85	30			
DC94-150-10-45			9.19		4.90	45			
DC94-150-10-E3			10.68		5.13	15			
DC94-150-10-30E3			10.36		5.35	30			
DC94-150-10-45E3			9.54		5.40	45			
DC94-150-12	12J		10.19		4.63	15			
DC94-150-16	16J		10.19		4.63	15			
DC94-150-16-E2			10.19		4.63	15			
DC94-150-16-30			9.93		4.85	30			
DC94-150-16-45			9.19		4.90	45			
DC94-150-16-E3			10.70		5.13	15			
DC94-175-22			22J		11.54	4.63			
DC94-175-22-30	11.28				4.85	30			
DC94-175-22-45	10.54				4.90	45			
DC94-175-22-E3	22J		12.03		5.13	15			
DC94-175-22-30E3			11.71		5.35	30			
DC94-175-22-45E3			10.89		5.40	45			
DC94-175-26-E3	26J		12.03		5.13	15			
DC94-175-26-30E3		11.71	5.35	30					
DC94-175-26-45E3		10.89	5.40	45					
DC94-175-28-E3	28J	12.03	5.13	15					
DC94-175-28-30E3		11.71	5.35	30					
DC94-175-28-45E3		10.89	5.40	45					
DC94-188-34-00	34J	11.70	4.63	0					
DC94-188-34		11.54	4.63	15					
DC94-188-34-30		11.28	4.85	30					
DC94-188-34-45	34J	10.54	4.90	45					
DC94-188-34-00E3		12.20	5.13	0					
DC94-188-34-E3		12.03	5.13	15					
DC94-188-34-30E3		11.71	5.35	30					
DC94-188-34-45E3		10.89	5.40	45					
DC94-188-39		39J	11.54	4.63	15				
DC94-188-39-30	11.28		4.85	30					
DC94-188-39-45	10.54		4.90	45					
DC94-188-40	40J	11.54	4.63	15					
DC94-188-40-30		11.28	4.85	30					
DC94-188-40-45		10.54	4.90	45					
DC94-188-40-E3		12.03	5.13	15					
DC94-188-40-EHV		12.03	5.13	15					
DC94-188-42		42J	11.54	4.63	15				
DC94-188-44	44J	11.54	4.63	15					
DC94-188-44-30		11.28	4.85	30					
DC94-188-44-45		10.54	4.90	45					
DC94-188-46	46J	11.54	4.63	15					
DC94-188-46-30		11.28	4.85	30					
DC94-188-46-45		10.54	4.90	45					

AG

THIS DRAWING AND THE INFORMATION CONTAINED HEREIN ARE THE PROPERTY OF DMC Power AND SHALL NOT BE COPIED, REPRODUCED OR DISCLOSED WITHOUT EXPRESS AUTHORIZATION BY DMC Power.

FOR REVISIONS - SEE SHEET 1

CONTINUED TABLE 1: AVAILABLE OPTIONS AND BILL OF MATERIALS

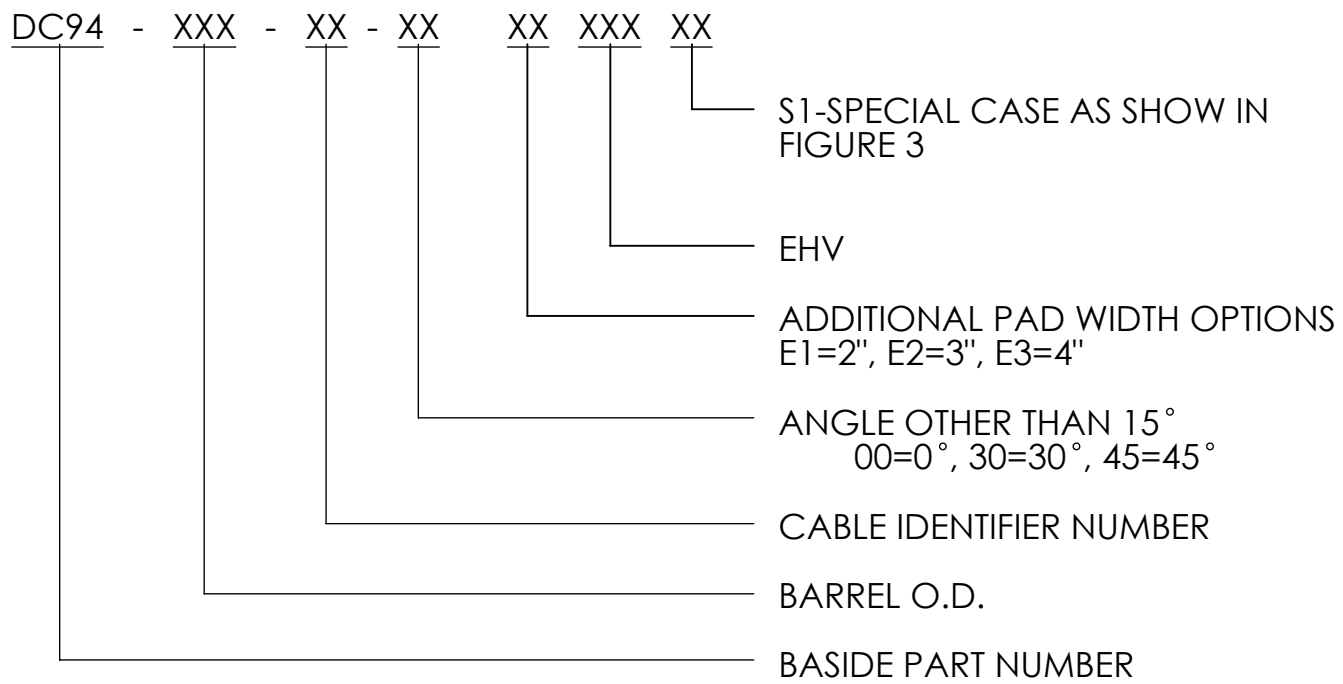
PART NUMBER	DS300 END STD IDENTIFIER NUMBER	(ØD)	(A) ±.03	(B)	(C) ±.01	(E <sub>y</sub> )°	(T)	(W)	FIGURE NO.
DC94-200-47-00	47J	2.000	13.95	9.325	4.63	0	0.75	3.00	1
DC94-200-47			13.79		4.63	15			
DC94-200-47-30			13.53		4.85	30			
DC94-200-47-45			12.79		4.90	45			
DC94-200-48	48J		13.79		4.625	15			
DC94-200-48-30			13.53		4.850	30			
DC94-200-48-45			12.79		4.900	45			
DC94-200-50-00	50J		13.95		4.63	0			
DC94-200-50			13.79		4.63	15			
DC94-200-50-30			13.53		4.85	30			
DC94-200-50-45			12.79		4.90	45			
DC94-200-50-EHV			14.28		5.13	15			
DC94-200-50-30EHV			13.96		5.35	30			
DC94-200-50-45EHV	13.14		5.40		45				
DC94-200-52	52J		13.79		4.63	15			
DC94-200-52-30			13.53		4.85	30			
DC94-200-52-45			12.79		4.90	45			
DC94-200-52-E3	52J		14.28		5.13	15			
DC94-200-52-30E3			13.96		5.35	30			
DC94-200-52-45E3			13.14		5.40	45			
DC94-200-52-EHV	52J	14.28	5.13	15					
DC94-200-52-30EHV		13.96	5.35	30					
DC94-200-52-45EHV		13.14	5.40	45					
DC94-200-5B-00EHV	5BJ	14.46	5.13	0					
DC94-200-5B-EHV		14.29	5.13	15					
DC94-200-5B-30EHV		13.96	5.35	30					
DC94-200-5B-45EHV		13.14	5.40	45					
DC94-200-54-00	54J	13.95	4.63	0					
DC94-200-54		13.79	4.63	15					
DC94-200-54-30		13.53	4.85	30					
DC94-200-54-45		12.79	4.90	45					
DC94-200-54-EHV	56J	14.28	5.13	15					
DC94-200-56		13.79	4.63	15					
DC94-200-56-30		13.53	4.85	30					
DC94-200-56-45		12.79	4.90	45					
DC94-200-56-EHV	56J	14.28	5.13	15					
DC94-200-56-30EHV		13.96	5.35	30					
DC94-200-56-45EHV		13.14	5.40	45					
DC94-225-58-00		58J	14.33	4.63	0				
DC94-225-58	14.17		4.63	15					
DC94-225-58-30	13.92		4.88	30					
DC94-225-58-45	13.33		5.13	45					
DC94-225-60-00	60J	15.075	4.63	0					
DC94-225-60		14.92	4.63	15					
DC94-225-60-30		14.67	4.88	30					
DC94-225-60-45		14.08	5.13	45					
DC94-225-62-00	62J	15.08	4.63	0					
DC94-225-62		14.92	4.63	15					
DC94-225-62-30		14.67	4.88	30					
DC94-225-62-45		14.08	5.13	45					
DC94-225-64-00	64J	15.08	4.63	0					
DC94-225-64		14.92	4.63	15					
DC94-225-64-30		14.67	4.88	30					
DC94-225-64-45		14.08	5.13	45					
DC94-225-66	66J	14.92	4.63	15					
DC94-225-66-30		14.67	4.88	30					
DC94-225-66-45		14.08	5.13	45					
DC94-225-66-EHV		15.38	5.13	15					
DC94-225-68	68J	14.92	4.63	15					
DC94-225-68-30		14.67	4.88	30					
DC94-225-68-45		14.08	5.13	45					
DC94-225-76-00	76J	17.58	4.63	0					
DC94-225-76		17.42	4.63	15					
DC94-225-76-30		17.17	4.88	30					
DC94-225-76-45		16.58	5.13	45					
DC94-225-76-E3	76J	17.90	5.13	15					
DC94-225-76-30E3		17.61	5.38	30					
DC94-225-76-45E3		16.93	5.63	45					
DC94-225-76-00EHV	76J	17.58	4.63	0					
DC94-225-76-EHV		17.90	5.13	15					
DC94-225-76-30EHV		17.61	5.38	30					
DC94-225-76-45EHV		16.93	5.63	45					

THIS DRAWING AND THE INFORMATION CONTAINED HEREIN ARE THE PROPERTY OF DMC Power AND SHALL NOT BE COPIED, REPRODUCED OR DISCLOSED WITHOUT EXPRESS AUTHORIZATION BY DMC Power.

Ⓢ FOR REVISIONS - SEE SHEET 1

PART NUMBER	DS300 END STD IDENTIFIER NUMBER	(ØD)	(A) ±.03	(B)	C ±.01	(E <sub>y</sub> )°	(T)	(W)	FIGURE NO.
DC94-275-78	78J	2.750	19.40	14.450	5.13	15	1	4.00	1
DC94-275-78-30			19.11		5.38	30			
DC94-275-78-45			18.43		5.63	45			
DC94-275-80-00	19.58		5.13		0	3			
DC94-275-80	19.40		5.13		15				
DC94-275-80-30	19.11		5.38		30				
DC94-275-80-45	18.43		5.63		45	1			
DC94-275-80-S1	36.76		24.36		0				
DC94-275-81	19.40		5.13		15				
DC94-275-81-30	19.11		5.38		30				
DC94-275-81-45	18.43		5.63		45				
DC94-275-82	19.40		5.13		15				1
DC94-275-82-30	19.11		5.38		30				
DC94-275-82-45	18.43		5.63		45				
DC94-275-86	19.40		5.13		15				1
DC94-275-86-30	19.11		5.38		30				
DC94-275-86-45	18.43		5.63		45				
DC94-275-86EHV	19.40		5.13		15				
DC94-275-86-30EHV	19.11		5.38		30				
DC94-275-86-45EHV	18.43		5.63		45				

**LEGEND:**



THIS DRAWING AND THE INFORMATION CONTAINED HEREIN ARE THE PROPERTY OF DMC Power AND SHALL NOT BE COPIED, REPRODUCED OR DISCLOSED WITHOUT EXPRESS AUTHORIZATION BY DMC Power.

Ⓢ FOR REVISIONS - SEE SHEET 1