

FIGURE 1

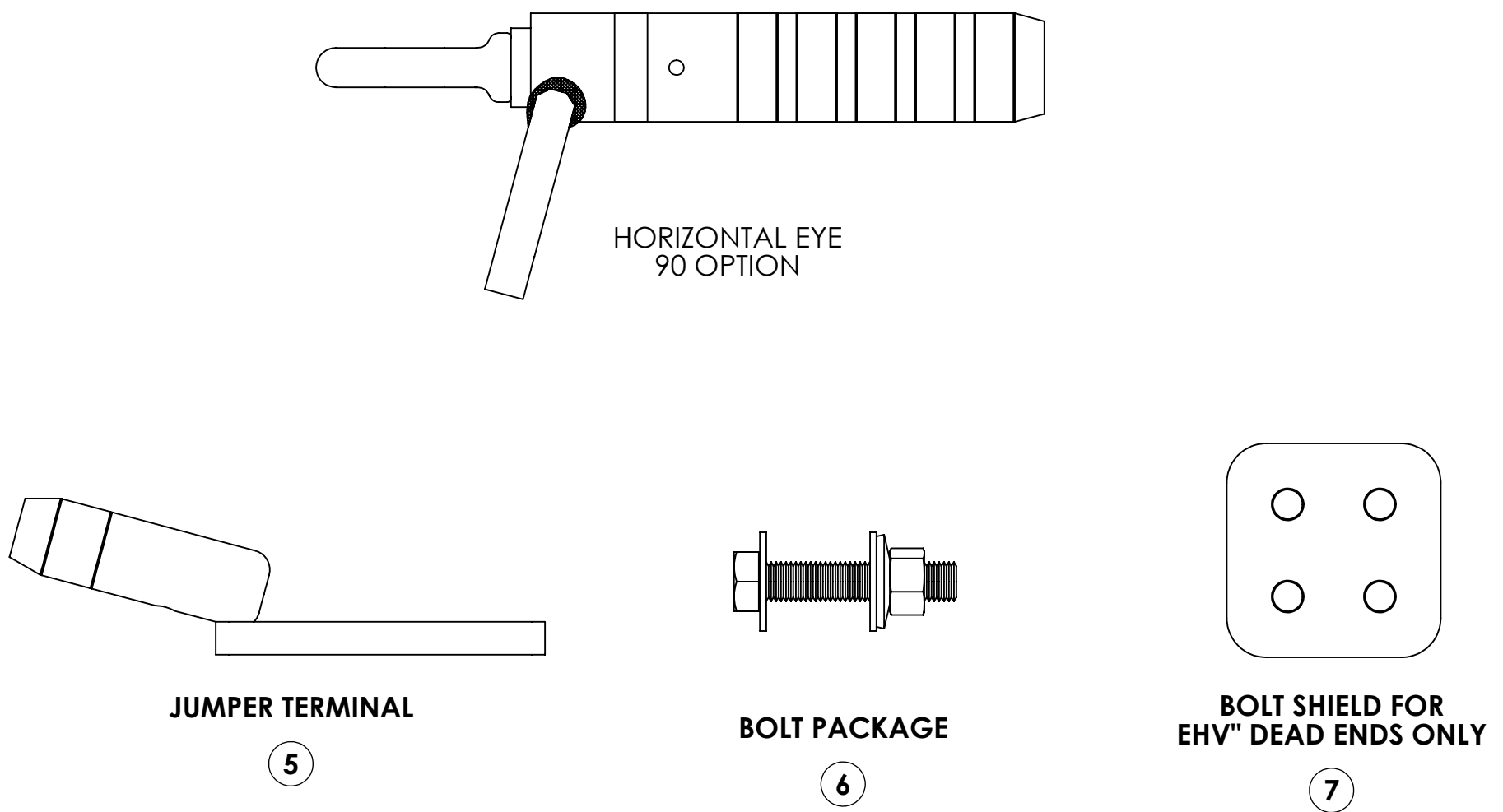
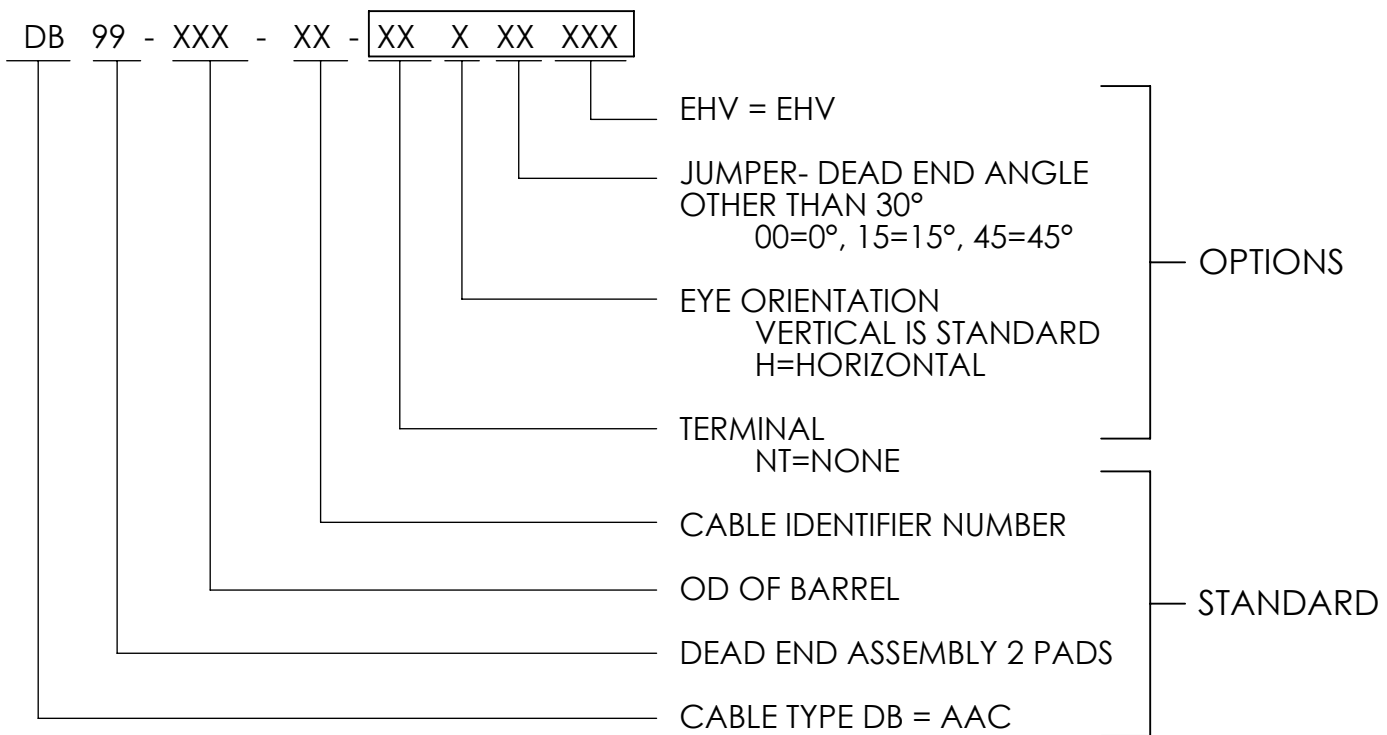


FIGURE 2

TABLE: AVAILABLE OPTIONS

| ASSEMBLY PART NUMBER | CABLE SIZE | STRANDS | SWAGE # | ØC | L | T | W | BOLT HOLES | POWER UNIT | | | | |
|----------------------|------------|---------|---------|-------|-------|------|------|------------|------------|-------|-------|------|-------|
| DB99-125-05 | 397.5 | 19 | 3 | 1.25 | 13.15 | .625 | 2.00 | 2 | DLT45 | | | | |
| DB99-150-10 | 556.5 | 19/37 | 3 | 1.50 | | | | | DLT45 | | | | |
| DB99-150-10-NT | 556.5 | 19/37 | 3 | 1.50 | | | | | DLT45 | | | | |
| DB99-175-20 | 715.5 | 37 | 4 | 1.75 | 14.90 | .625 | 3.00 | 4 | DLT45 | | | | |
| DB99-188-25 | 795.0 | 61 | 4 | 1.88 | | | | | DLT45 | | | | |
| DB99-200-30 | 954.0 | 61/37 | 4 | 2.00 | | | | | DLT45 | | | | |
| DB99-225-45 | 1272 | 61 | 4 | 2.25 | 16.65 | .750 | 3.00 | 4 | DLT45 | | | | |
| DB99-225-45-HEHV | 1272 | 61 | 4 | | | | | | DLT45 | | | | |
| DB99-225-55 | 1590 | 61 | 4 | | | | | | DLT45 | | | | |
| DB99-225-55-NT | 1590 | 61 | 4 | | | | | | DLT45 | | | | |
| DB99-225-55-HEHV | 1590 | 61 | 4 | | | | | | DLT45 | | | | |
| DB99-225-58 | 1750 | 61 | 4 | | | | | | DLT45 | | | | |
| DB99-275-60 | 2000 | 91 | 5 | | | | | | 2.75 | 18.15 | 1.000 | 4.00 | DLT58 |
| DB99-275-65 | 2300 | 61 | 5 | | | | | | | | | | DLT58 |
| DB99-275-70 | 2500 | 91 | 5 | DLT58 | | | | | | | | | |
| DB99-275-70-EHV | 2500 | 91 | 5 | DLT58 | | | | | | | | | |
| DB99-275-70-H | 2500 | 91 | 5 | DLT58 | | | | | | | | | |
| DB99-275-70-HEHV | 2500 | 91 | 5 | DLT58 | | | | | | | | | |
| DB99-275-70-NT00EHV | 2500 | 91 | 5 | DLT58 | | | | | | | | | |

LEGEND:



THIS DRAWING AND THE INFORMATION CONTAINED HEREIN ARE THE PROPERTY OF DMCPOWER AND SHALL NOT BE COPIED, REPRODUCED OR DISCLOSED WITHOUT EXPRESS AUTHORIZATION BY DMCPOWER.