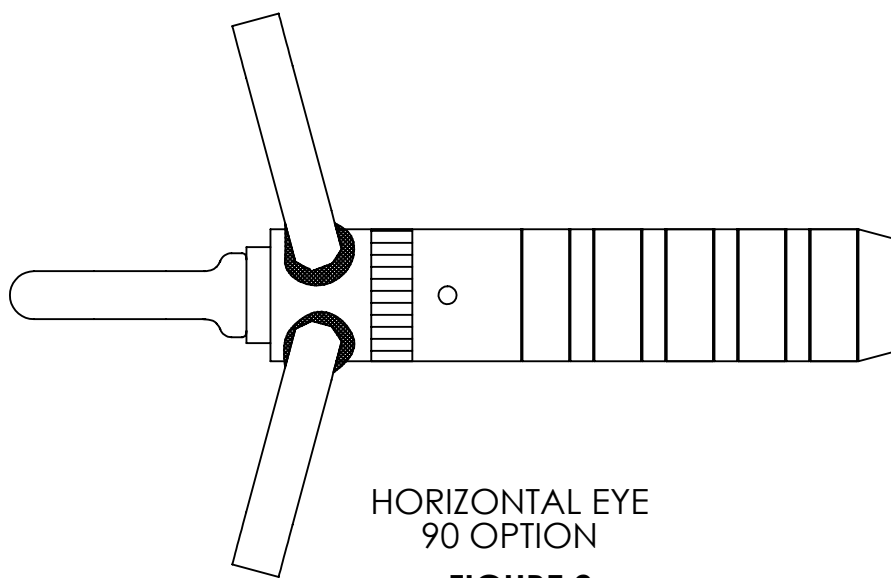
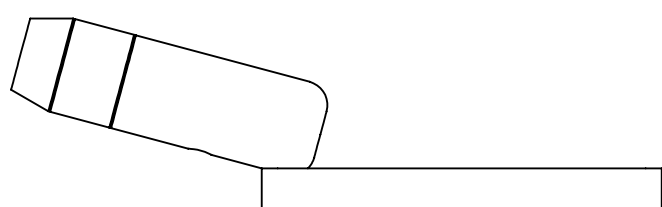


FIGURE 1



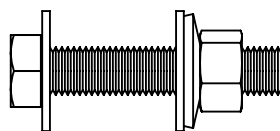
HORIZONTAL EYE
90 OPTION

FIGURE 2



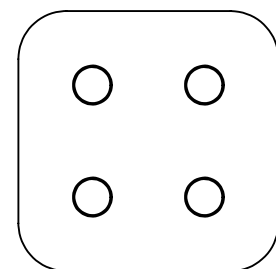
JUMPER TERMINAL

5



BOLT PACKAGE

6



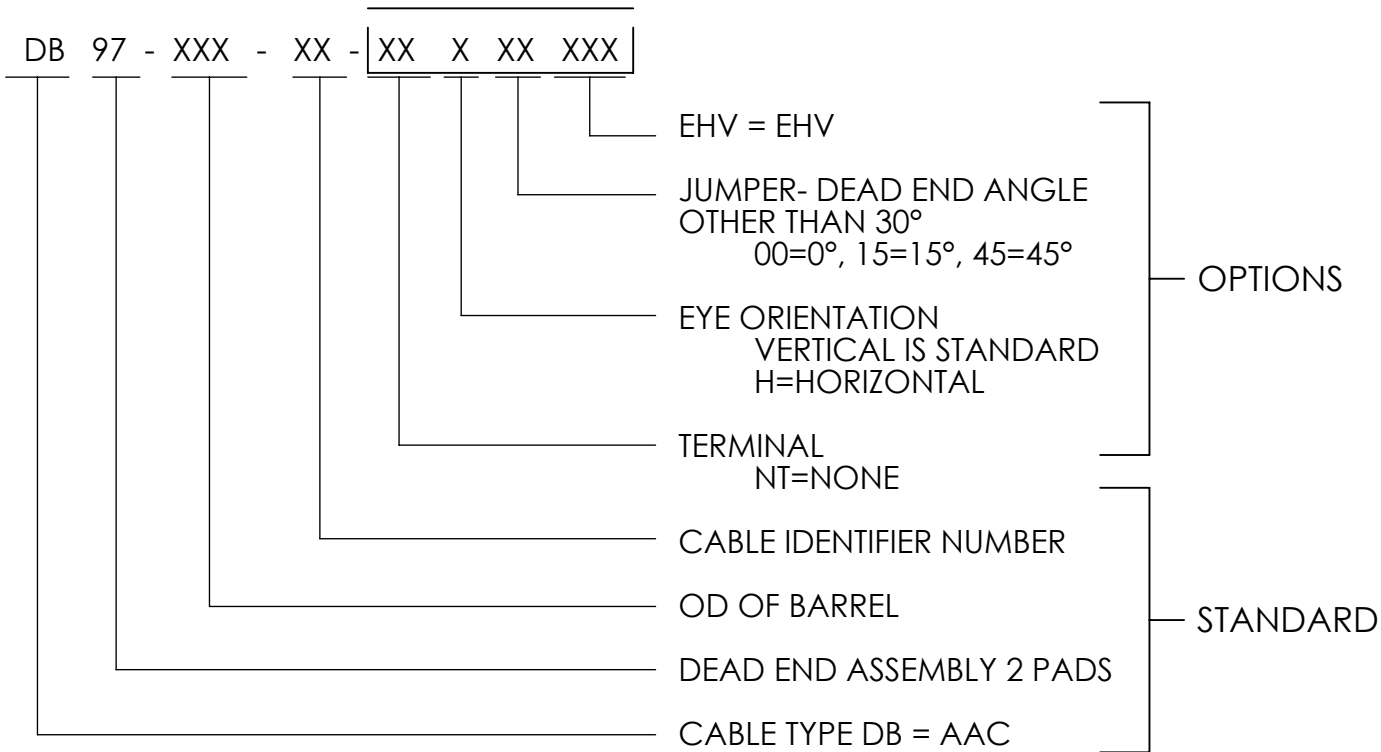
BOLT SHIELD FOR
EHV" DEAD ENDS ONLY

7

TABLE: AVAILABLE OPTIONS AND ASSEMBLY INFORMATION

ASSEMBLY PART NUMBER	CABLE SIZE	STRANDS	SWAGE #	Ø F	Ø C	L	T	W	BOLT HOLES	POWER UNIT
DB97-125-05	397.5	19	3	1.25	0.44	12.40	.625	2.00	2	DLT45
DB97-150-10	556.5	19/37	3	1.50						DLT45
DB97-150-10-NT	556.5	19/37	3	1.50						DLT45
DB97-175-20	715.5	37	4	1.75		14.15		3.00		DLT45
DB97-188-25	750-795 900	61/37	4	1.88						DLT45
DB97-200-30	954.0	61/37	4	2.00						DLT45
DB97-225-45	1272	61	4	2.25	16.65	.750	4	DLT45		
DB97-225-55	1590	61	4					DLT45		
DB97-225-55-NT	1590	61	4					DLT45		
DB99-225-55-HEHV	1590	61	4					DLT45		
DB97-225-58	1750	61	4					DLT45		
DB97-275-60	2000	91	5					2.75	.78	1.000
DB97-275-65	2300	61	5	DLT58						
DB97-275-70	2500	91	5	DLT58						
DB97-275-70-EHV	2500	91	5	DLT58						
DB97-275-70-H	2500	91	5	DLT58						
DB97-275-70-HEHV	2500	91	5	DLT58						
DB97-275-70-NT00EHV	2500	91	5					DLT58		

LEGEND:



THIS DRAWING AND THE INFORMATION CONTAINED HEREIN ARE THE PROPERTY OF DMCPower AND SHALL NOT BE COPIED, REPRODUCED OR DISCLOSED WITHOUT EXPRESS AUTHORIZATION BY DMCPower.