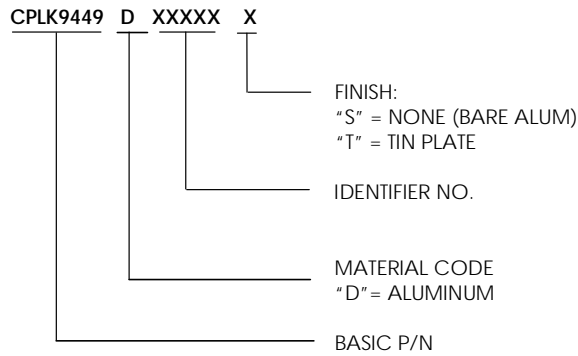


**LEGEND:**



THIS DRAWING AND THE INFORMATION CONTAINED HEREIN ARE THE PROPERTY OF DMC POWER AND SHALL NOT BE COPIED, REPRODUCED OR DISCLOSED WITHOUT EXPRESS AUTHORIZATION BY DMC POWER.

**TABLE 1: AVAILABLE OPTIONS**

ASSEMBLY PART NUMBER	(A)	B	C	(Ø D)	(T)
		±.030	±.025		
CPLK9449D00002X	5.875	4.750	3.400	0.750	.375
CPLK9449D00040X		4.500	3.500	1.000	
CPLK9449D02500X					
CPLK9449D03000X	6.500	4.875	4.125	1.25	.625
CPLK9449D03500X					
CPLK9449D03975X					
CPLK9449D04500X					
CPLK9449D04770X			4.375	1.500	
CPLK9449D05000X					
CPLK9449D05565X	6.875				.625
CPLK9449D06000X					
CPLK9449D06360X			4.625	1.750	
CPLK9449D07000X					
CPLK9449D07155X					
CPLK9449D07500X					
CPLK9449D07950X	7.250				.750
CPLK9449D08745X					
CPLK9449D09000X					
CPLK9449D09540X				2.000	
CPLK9449D10000X					
CPLK9449D10335X			4.625		
CPLK9449D11130X	7.250				.750
CPLK9449D11925X					
CPLK9449D12720X			4.875		
CPLK9449D13515X					
CPLK9449D14310X				2.250	
CPLK9449D15105X					
CPLK9449D15900X	7.750				1.000
CPLK9449D17500X					
CPLK9449D18000X					
CPLK9449D20000X					
CPLK9449D22500X			5.500	2.750	
CPLK9449D23000X					
CPLK9449D25000X	8.250				1.000
CPLK9449D35000X				3.250	

THIS DRAWING AND THE INFORMATION CONTAINED HEREIN ARE THE PROPERTY OF DMC POWER AND SHALL NOT BE COPIED, REPRODUCED OR DISCLOSED WITHOUT EXPRESS AUTHORIZATION BY DMC POWER.



TITLE  
**CABLELOK CONNECTOR  
 4 HOLE / 90° PAD  
 ASSEMBLY**

DWG NO  
**CPLK9449 - CUT SHEET**

SIZE  
 B

SHEET 2 OF 2