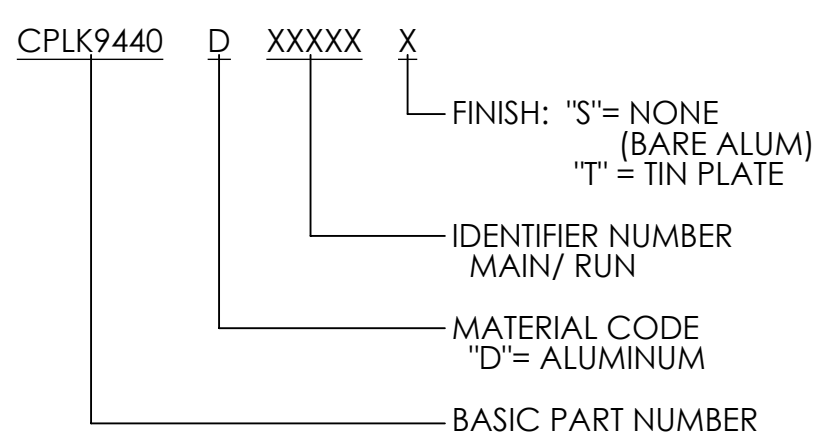


LEGEND:



THIS DRAWING AND THE INFORMATION CONTAINED HEREIN ARE THE PROPERTY OF DMCPower AND SHALL NOT BE COPIED, REPRODUCED OR DISCLOSED WITHOUT EXPRESS AUTHORIZATION BY DMCPower.

TABLE: AVAILABLE OPTIONS			
ASSEMBLY PART NUMBER	A1	ØC	T
CPLK9440D00006X	# REF!	0.500	0.250
CPLK9440D00004X			
CPLK9440D00002X	# REF!	0.750	0.375
CPLK9440D00001X			
CPLK9440D00010X			
CPLK9440D00020X	# REF!	1.000	0.375
CPLK9440D00030X			
CPLK9440D00040X			
CPLK9440D02500X			
CPLK9440D02668X	# REF!	1.250	0.625
CPLK9440D03000X			
CPLK9440D03500X			
CPLK9440D03975X			
CPLK9440D04500X	# REF!	1.500	0.625
CPLK9440D04770X			
CPLK9440D05000X			
CPLK9440D05565X			
CPLK9440D06000X	9.525	1.750	0.625
CPLK9440D06360X			
CPLK9440D07000X			
CPLK9440D07155X			
CPLK9440D07500X		1.875	0.625
CPLK9440D07950X			
CPLK9440D08745X			
CPLK9440D09000X			
CPLK9440D09540X	9.750	2.000	0.750
CPLK9440D10000X			
CPLK9440D10335X			
CPLK9440D11130X			
CPLK9440D11925X			
CPLK9440D12720X		2.250	0.750
CPLK9440D13515X			
CPLK9440D14310X			
CPLK9440D15105X			
CPLK9440D15900X			
CPLK9440D17500X	# REF!	2.750	1.000
CPLK9440D18000X			
CPLK9440D20000X			
CPLK9440D22500X			
CPLK9440D25000X			

THIS DRAWING AND THE INFORMATION CONTAINED HEREIN ARE THE PROPERTY OF DMCPower AND SHALL NOT BE COPIED, REPRODUCED OR DISCLOSED WITHOUT EXPRESS AUTHORIZATION BY DMCPower.