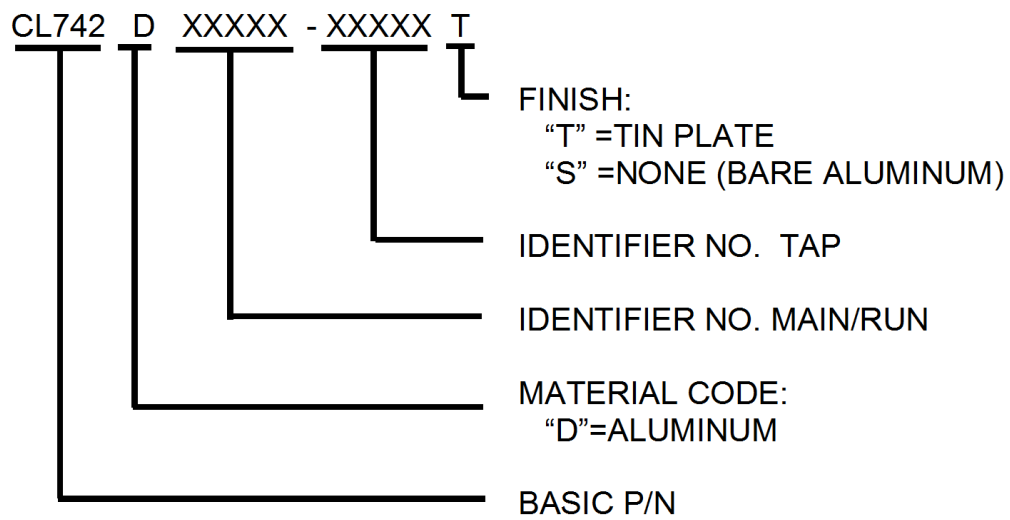


TABLE: AVAILABLE OPTIONS

ASSEMBLY PART NUMBER	OUTSIDE DIAMETER		H	L
	MAIN/RUN Ø C	TAP Ø D		
CL742D13515-13515X	2.250	2.250	5.836	8.000

LEGEND:



THIS DRAWING AND THE INFORMATION CONTAINED HEREIN ARE THE PROPERTY OF DMCPOWER AND SHALL NOT BE COPIED, REPRODUCED OR DISCLOSED WITHOUT EXPRESS AUTHORIZATION BY DMCPOWER.