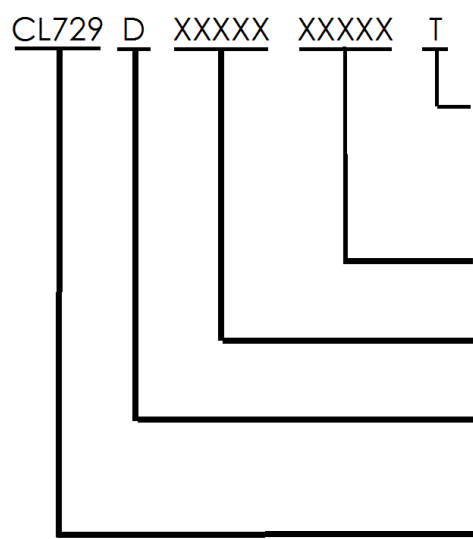


COMPONENT PART NO.	L	ØD1	ØD2
CL729D11925-11130X	7.17	2.25	2.00
CL729D15105-11130X	7.17	2.25	2.00
CL729D25000-22500X	7.50	2.75	2.75

LEGEND:



FINISH:
 "T" =TIN PLATE
 "S" =NONE (BARE ALUMINUM)

IDENTIFIER NUMBER: TAP 2

IDENTIFIER NUMBER: TAP 1

MATERIAL CODE
 "D"= ALUMINUM

BASIC P/N

THIS DRAWING AND THE INFORMATION CONTAINED HEREIN ARE THE PROPERTY OF DMCPower AND SHALL NOT BE COPIED, REPRODUCED OR DISCLOSED WITHOUT EXPRESS AUTHORIZATION BY DMCPower.