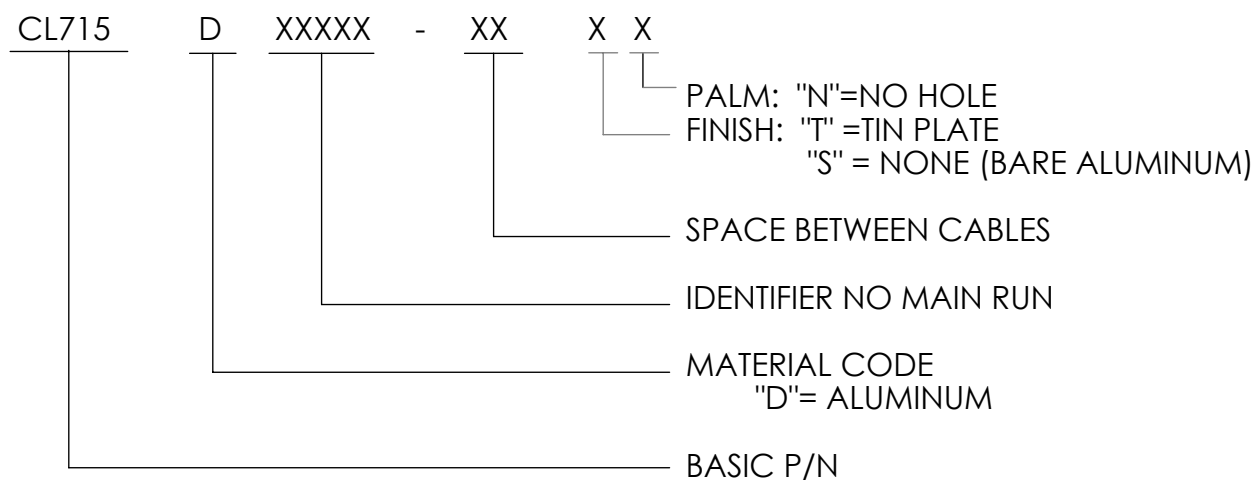


LEGEND



THIS DRAWING AND THE INFORMATION CONTAINED HEREIN ARE THE PROPERTY OF DMCPower AND SHALL NOT BE COPIED, REPRODUCED OR DISCLOSED WITHOUT EXPRESS AUTHORIZATION BY DMCPower.

TABLE: AVAILABLE OPTIONS				
ASSEMBLY PART NUMBER	A	OUTSIDE DIAMETER	L	T
		MAIN/RUN ØC		
CL715D07500X	3.812	1.875	10.375	.625
CL715D07950X				
CL715D09000X	3.875	2.00		.750
CL715D13515X	4.000	2.25		
CL715D15900X				
CL715D17500X				
CL715D20000X	5.000	2.75		1.00
CL715D07950-4X	4.000	1.875		.625
CL715D07950-4XN		1.875		.625
CL715D12720-4X		2.25		.750
CL715D04770-6X		6.000		1.50
CL715D10335-6X	2.00			.750
CL715D11130-6X				
CL715D12720-6X	2.25	2.25		
CL715D13515-6X				
CL715D15900-6X				
CL715D17500-6X				
CL715D07950-8X	8.000	1.875		.625
CL715D07950-8LX				
CL715D09540-8X		2.00		.750
CL715D10000-8X				
CL715D11130-8X				
CL715D17500-8X	2.25	.750		
CL715D20000-6X				
CL715D22500-6X	6.00	2.75	1.00	
CL715D25000-6X	8.000			
CL715D20000-8X				
CL715D22500-8X	12.000	2.25	.750	
CL715D13515-12X				
CL715D15900-18X	18.000	2.25	.750	
CL715D22500-18X		2.75	1.00	

THIS DRAWING AND THE INFORMATION CONTAINED HEREIN ARE THE PROPERTY OF DMCPower AND SHALL NOT BE COPIED, REPRODUCED OR DISCLOSED WITHOUT EXPRESS AUTHORIZATION BY DMCPower.