

FIGURE A

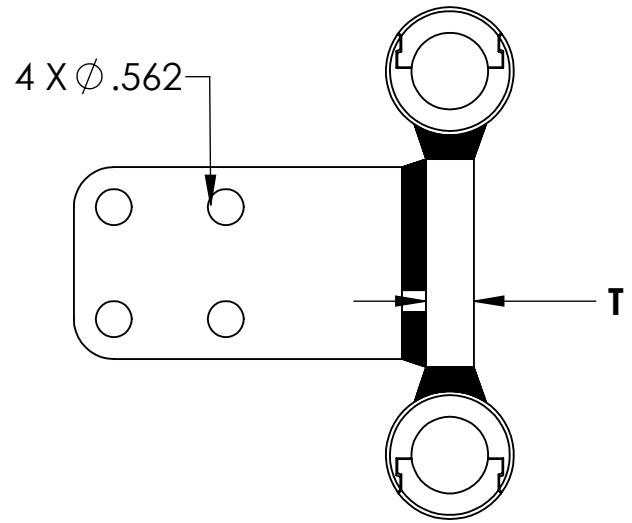
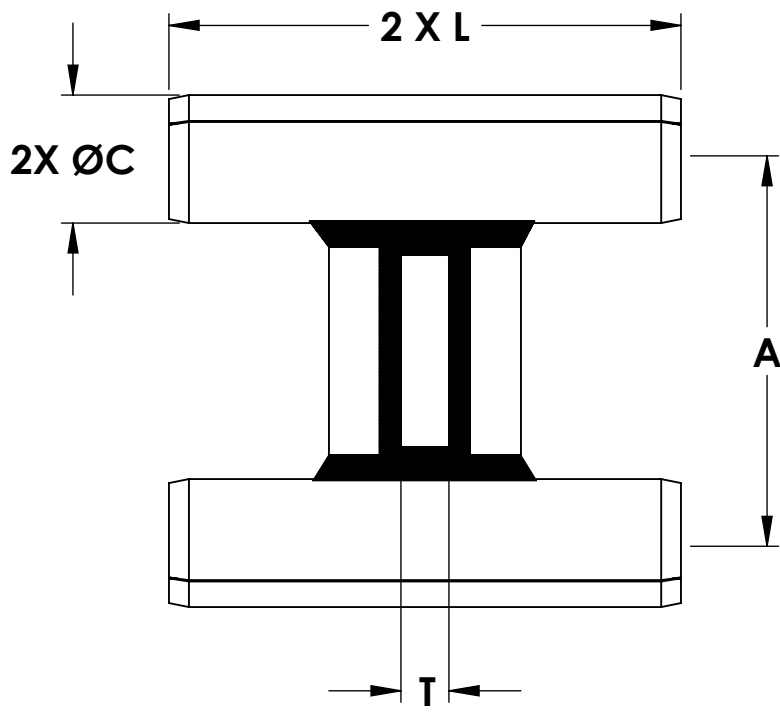
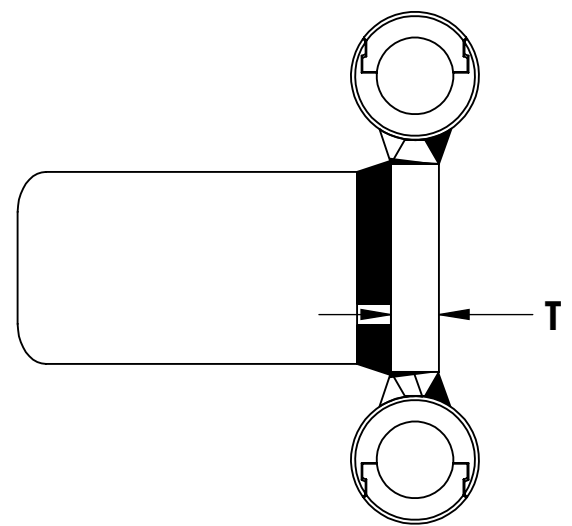
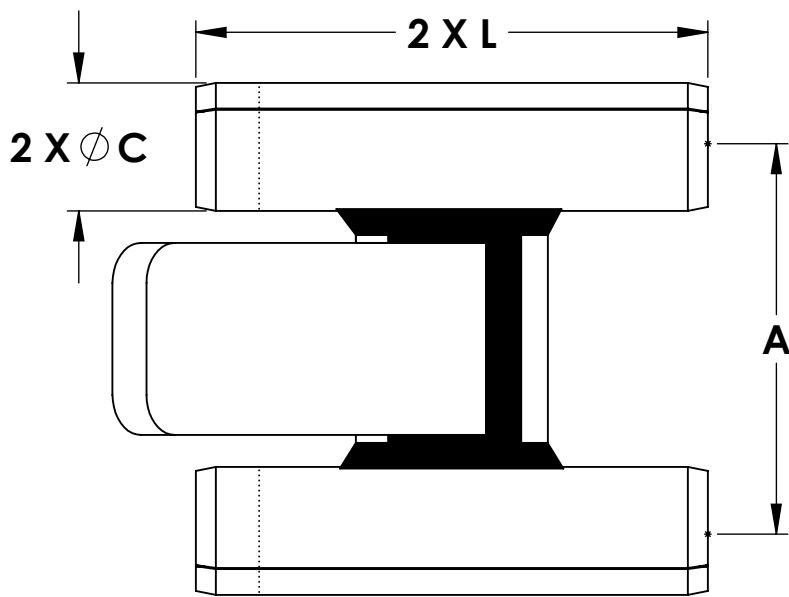


FIGURE B



THIS DRAWING AND THE INFORMATION CONTAINED HEREIN ARE THE PROPERTY OF DMCPower AND SHALL NOT BE COPIED, REPRODUCED OR DISCLOSED WITHOUT EXPRESS AUTHORIZATION BY DMCPower.

DIMENSIONS: FIGURE A

ASSEMBLY PART NUMBER	A	Ø C	L	T
CL713D02668X	4.250	1.250	8.000	.625
CL713D03000X	4.250	1.250	8.000	.625
CL713D03500X	4.250	1.250	8.000	.625
CL713D03975X	4.250	1.250	8.000	.625
CL713D04500X	4.500	1.500	8.000	.625
CL713D04770X	4.500	1.500	8.000	.625
CL713D05000X	4.500	1.500	8.000	.625
CL713D05565X	4.500	1.500	8.000	.625
CL713D06000X	4.750	1.750	8.000	.625
CL713D06360X	4.750	1.750	8.000	.625
CL713D07000X	4.750	1.750	8.000	.625
CL713D07155X	4.750	1.750	8.000	.625
CL713D07500X	4.875	1.875	8.000	.625
CL713D07950X	4.875	1.875	8.000	.625
CL713D08745X	4.875	1.875	8.000	.625
CL713D09000X	5.000	2.000	8.000	0.750
CL713D09540X	5.000	2.000	8.000	0.750
CL713D10000X	5.000	2.000	8.000	0.750
CL713D10335X	5.000	2.000	8.000	0.750
CL713D11130X	5.000	2.000	8.000	0.750
CL713D11925X	5.250	2.250	8.000	0.750
CL713D12720X	5.250	2.250	8.000	0.750
CL713D13515X	5.250	2.250	8.000	0.750
CL713D14310X	5.250	2.250	8.000	0.750
CL713D15105X	5.250	2.250	8.000	0.750
CL713D15900X	5.250	2.250	8.000	0.750
CL713D17500X	5.250	2.250	8.000	0.750
CL713D18000X	5.250	2.250	8.000	0.750
CL713D20000X	5.750	2.750	8.000	1.000
CL713D22500X	5.750	2.750	8.000	1.000
CL713D25000X	5.750	2.750	8.000	1.000

DIMENSIONS: 8" SERIES FIGURE A

ASSEMBLY PART NUMBER	A	Ø C	L	T
CL713D02668-8X	8.000	1.250	8.000	.625
CL713D03000-8X	8.000	1.250	8.000	.625
CL713D03500-8X	8.000	1.250	8.000	.625
CL713D03975-8X	8.000	1.250	8.000	.625
CL713D04500-8X	8.000	1.500	8.000	.625
CL713D04770-8X	8.000	1.500	8.000	.625
CL713D05000-8X	8.000	1.500	8.000	.625
CL713D05565-8X	8.000	1.500	8.000	.625
CL713D06000-8X	8.000	1.750	8.000	.625
CL713D06360-8X	8.000	1.750	8.000	.625
CL713D07000-8X	8.000	1.750	8.000	.625
CL713D07155-8X	8.000	1.750	8.000	.625
CL713D07500-8X	8.000	1.875	8.000	.625
CL713D07950-8X	8.000	1.875	8.000	.625
CL713D08745-8X	8.000	1.875	8.000	.625
CL713D09000-8X	8.000	2.000	8.000	.750
CL713D09540-8X	8.000	2.000	8.000	.750
CL713D10000-8X	8.000	2.000	8.000	.750
CL713D10335-8X	8.000	2.000	8.000	.750
CL713D11130-8X	8.000	2.000	8.000	.750
CL713D11925-8X	8.000	2.250	8.000	.750
CL713D12720-8X	8.000	2.250	8.000	.750
CL713D13515-8X	8.000	2.250	8.000	.750
CL713D14310-8X	8.000	2.250	8.000	.750

THIS DRAWING AND THE INFORMATION CONTAINED HEREIN ARE THE PROPERTY OF DMCPower AND SHALL NOT BE COPIED, REPRODUCED OR DISCLOSED WITHOUT EXPRESS AUTHORIZATION BY DMCPower.

DIMENSIONS: 16" SERIES FIGURE A

ASSEMBLY PART NUMBER	A	ØC	L	T
CL713D02668-16X	16.000	1.250	8.000	.625
CL713D03000-16X	16.000	1.250	8.000	.625
CL713D03500-16X	16.000	1.250	8.000	.625
CL713D03975-16X	16.000	1.250	8.000	.625
CL713D04500-16X	16.000	1.500	8.000	.625
CL713D04770-16X	16.000	1.500	8.000	.625
CL713D05000-16X	16.000	1.500	8.000	.625
CL713D05565-16X	16.000	1.500	8.000	.625
CL713D06000-16X	16.000	1.750	8.000	.625
CL713D06360-16X	16.000	1.750	8.000	.625
CL713D07000-16X	16.000	1.750	8.000	.625
CL713D07155-16X	16.000	1.750	8.000	.625
CL713D07500-16X	16.000	1.875	8.000	.625
CL713D07950-16X	16.000	1.875	8.000	.625
CL713D08745-16X	16.000	1.875	8.000	.625
CL713D09000-16X	16.000	2.000	8.000	.750
CL713D09540-16X	16.000	2.000	8.000	.750
CL713D10000-16X	16.000	2.000	8.000	.750
CL713D10335-16X	16.000	2.000	8.000	.750
CL713D11130-16X	16.000	2.000	8.000	.750
CL713D11925-16X	16.000	2.250	8.000	.750
CL713D12720-16X	16.000	2.250	8.000	.750
CL713D13515-16X	16.000	2.250	8.000	.750
CL713D14310-16X	16.000	2.250	8.000	.750
CL713D15105-16X	16.000	2.250	8.000	.750
CL713D15900-16X	16.000	2.250	8.000	.750
CL713D17500-16X	16.000	2.250	8.000	.750
CL713D18000-16X	16.000	2.250	8.000	.750
CL713D20000-16X	16.000	2.750	8.000	1.000
CL713D22500-16X	16.000	2.750	8.000	1.000
CL713D25000-16X	16.000	2.750	8.000	1.000

DIMENSIONS: 18" SERIES FIGURE A

ASSEMBLY PART NUMBER	A	ØC	L	T
CL713D02668-18X	18.000	1.250	8.000	.625
CL713D03000-18X	18.000	1.250	8.000	.625
CL713D03500-18X	18.000	1.250	8.000	.625
CL713D03975-18X	18.000	1.250	8.000	.625
CL713D04500-18X	18.000	1.500	8.000	.625
CL713D04770-18X	18.000	1.500	8.000	.625
CL713D05000-18X	18.000	1.500	8.000	.625
CL713D05565-18X	18.000	1.500	8.000	.625
CL713D06000-18X	18.000	1.750	8.000	.625
CL713D06360-18X	18.000	1.750	8.000	.625
CL713D07000-18X	18.000	1.750	8.000	.625
CL713D07155-18X	18.000	1.750	8.000	.625
CL713D07500-18X	18.000	1.875	8.000	.625
CL713D07950-18X	18.000	1.875	8.000	.625
CL713D08745-18X	18.000	1.875	8.000	.625
CL713D09000-18X	18.000	2.000	8.000	.750
CL713D09540-18X	18.000	2.000	8.000	.750
CL713D10000-18X	18.000	2.000	8.000	.750
CL713D10335-18X	18.000	2.000	8.000	.750
CL713D11130-18X	18.000	2.000	8.000	.750
CL713D11925-18X	18.000	2.250	8.000	.750
CL713D12720-18X	18.000	2.250	8.000	.750
CL713D13515-18X	18.000	2.250	8.000	.750
CL713D14310-18X	18.000	2.250	8.000	.750
CL713D15105-18X	18.000	2.250	8.000	.750
CL713D15900-18X	18.000	2.250	8.000	.750
CL713D17500-18X	18.000	2.250	8.000	.750
CL713D18000-18X	18.000	2.250	8.000	.750
CL713D20000-18X	18.000	2.750	8.000	1.000
CL713D22500-18X	18.000	2.750	8.000	1.000
CL713D25000-18X	18.000	2.750	8.000	1.000

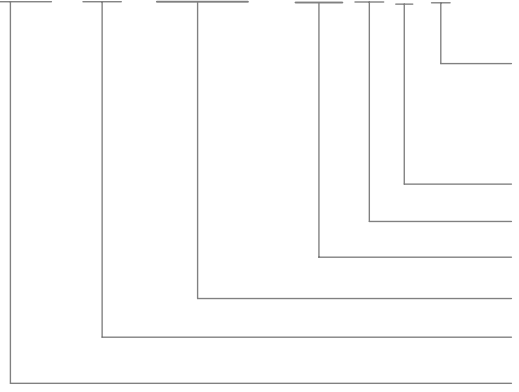
THIS DRAWING AND THE INFORMATION CONTAINED HEREIN ARE THE PROPERTY OF DMCPower AND SHALL NOT BE COPIED, REPRODUCED OR DISCLOSED WITHOUT EXPRESS AUTHORIZATION BY DMCPower.

DIMENSIONS: 45N SERIES FIGURE B

ASSEMBLY PART NUMBER	A	ØC	L	T
CL713D11130-45NX	5.000	2.000	8.000	0.750

LEGEND FOR FIGURE

CL713 D XXXXX - XX XXX X



FINISH:
 "S"= NONE
 (BARE ALUM)
 "T" = TIN PLATE
 NEMA PAD TYPE
 "N"= NO HOLES
 ANGLE OF
 NEMA PAD
 SPACE BETWEEN
 CABLES
 IDENTIFIER NO.
 MAIN/ RUN
 MATERIAL CODE
 "D"= ALUMINUM
 BASIC PART
 NUMBER

THIS DRAWING AND THE INFORMATION CONTAINED HEREIN ARE THE PROPERTY OF DMCPower AND SHALL NOT BE COPIED, REPRODUCED OR DISCLOSED WITHOUT EXPRESS AUTHORIZATION BY DMCPower.