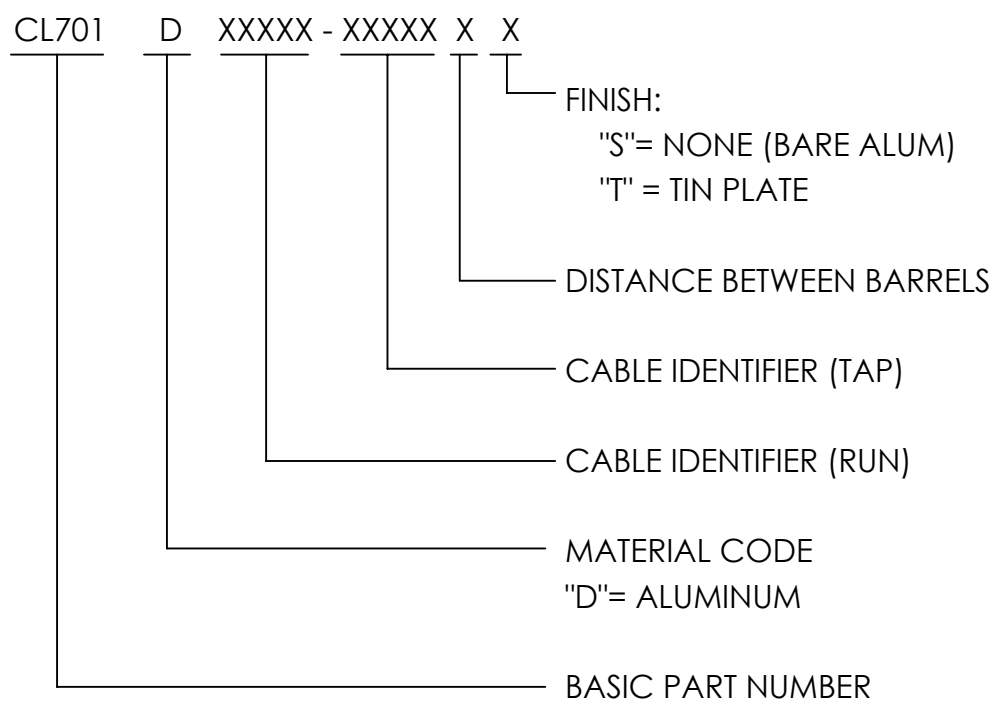


TABLE: AVAILABLE OPTIONS

ASSEMBLY PART NUMBER	A	Ø C	Ø D	H	T
CL701D25000-11130-12X	12.00	2.750	2.00	4.625	1.00
CL701D25000-11130-18X	18.00				

LEGEND:



THIS DRAWING AND THE INFORMATION CONTAINED HEREIN ARE THE PROPERTY OF DMCPower AND SHALL NOT BE COPIED, REPRODUCED OR DISCLOSED WITHOUT EXPRESS AUTHORIZATION BY DMCPower.