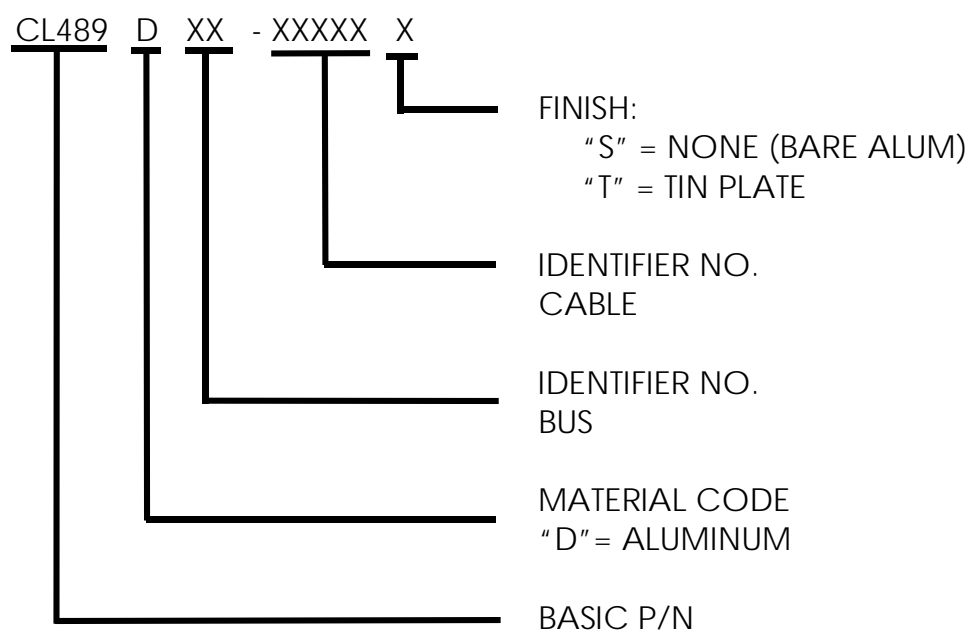


TABLE 1: AVAILABLE OPTIONS

ASSEMBLY PART NO.	A	ØB	ØC	D	E	G	T
	±.06	±.03	±.015	±.06	±.03	±.06	±.015
CL489D96-25000X	10.25	8.00	2.75	8.75	12.50	5.00	1.00

LEGEND:



THIS DRAWING AND THE INFORMATION CONTAINED HEREIN ARE THE PROPERTY OF DMC Power AND SHALL NOT BE COPIED, REPRODUCED OR DISCLOSED WITHOUT EXPRESS AUTHORIZATION BY DMC Power.