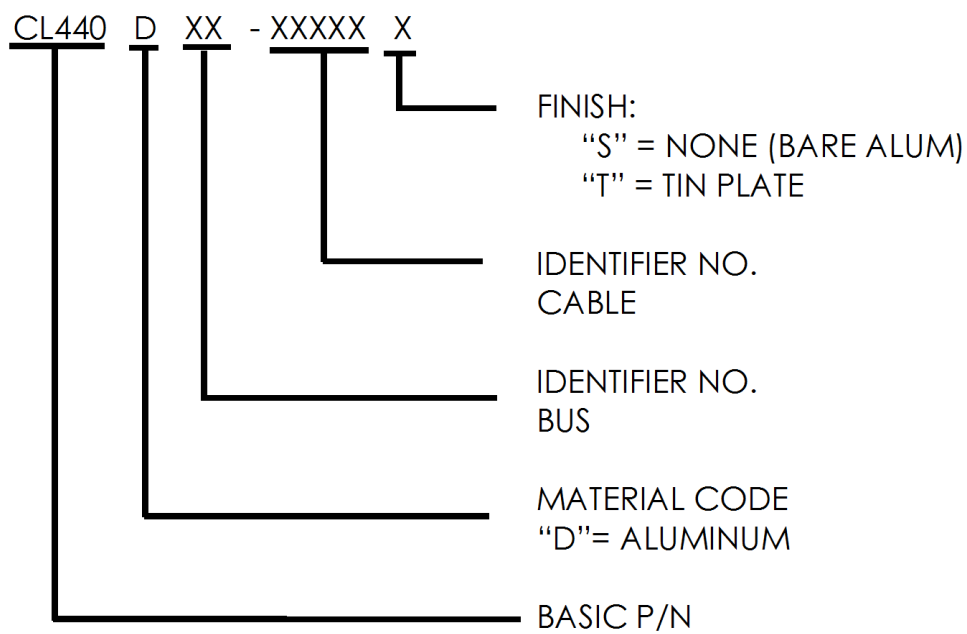


**LEGEND:**



THIS DRAWING AND THE INFORMATION CONTAINED HEREIN ARE THE PROPERTY OF DMCPower AND SHALL NOT BE COPIED, REPRODUCED OR DISCLOSED WITHOUT EXPRESS AUTHORIZATION BY DMCPower.

THIS DRAWING AND THE INFORMATION CONTAINED HEREIN ARE THE PROPERTY OF DMCPower AND SHALL NOT BE COPIED, REPRODUCED OR DISCLOSED WITHOUT EXPRESS AUTHORIZATION BY DMCPower.

**TABLE: AVAILABLE OPTIONS**

<b>ASSEMBLY PART NUMBER</b>	<b>A</b>	<b>B</b>	<b>C</b>	<b>ØD</b>	<b>ØE</b>	<b>T</b>
CL440D80-11925X	13.295	8.00	8.00	2.25	6.50	0.75
CL440D80-12720X	13.187	8.00	8.00	2.25	6.50	0.75
CL440D80-13515X	13.086	8.00	8.00	2.25	6.50	0.75
CL440D80-14310X	12.990	8.00	8.00	2.25	6.50	0.75
CL440D80-15105X	12.897	8.00	8.00	2.25	6.50	0.75
CL440D80-15900X	12.803	8.00	8.00	2.25	6.50	0.75
CL440D80-17500X	12.662	8.00	8.00	2.25	6.50	0.75
CL440D80-18000X	12.580	8.00	8.00	2.25	6.50	0.75
CL440D96-15900X	13.625	8.00	9.00	2.25	8.00	1.00