

FIGURE 1.
STANDARD BARREL OPTION

LEGEND

CEHV9444	D	XXXXX	XX	X	
					FINISH:
					"S" = NONE (BARE ALUM)
					"T" = TIN PLATE
					BARREL:
					"BLANK" = STANDARD BARREL
					"LB" = LONG BARREL
					IDENTIFIER NUMBER
					MATERIAL CODE "D" = ALUMINUM
					BASIC PART NUMBER

THIS DRAWING AND THE INFORMATION CONTAINED HEREIN ARE THE PROPERTY OF DMCPower AND SHALL NOT BE COPIED, REPRODUCED OR DISCLOSED WITHOUT EXPRESS AUTHORIZATION BY DMCPower.

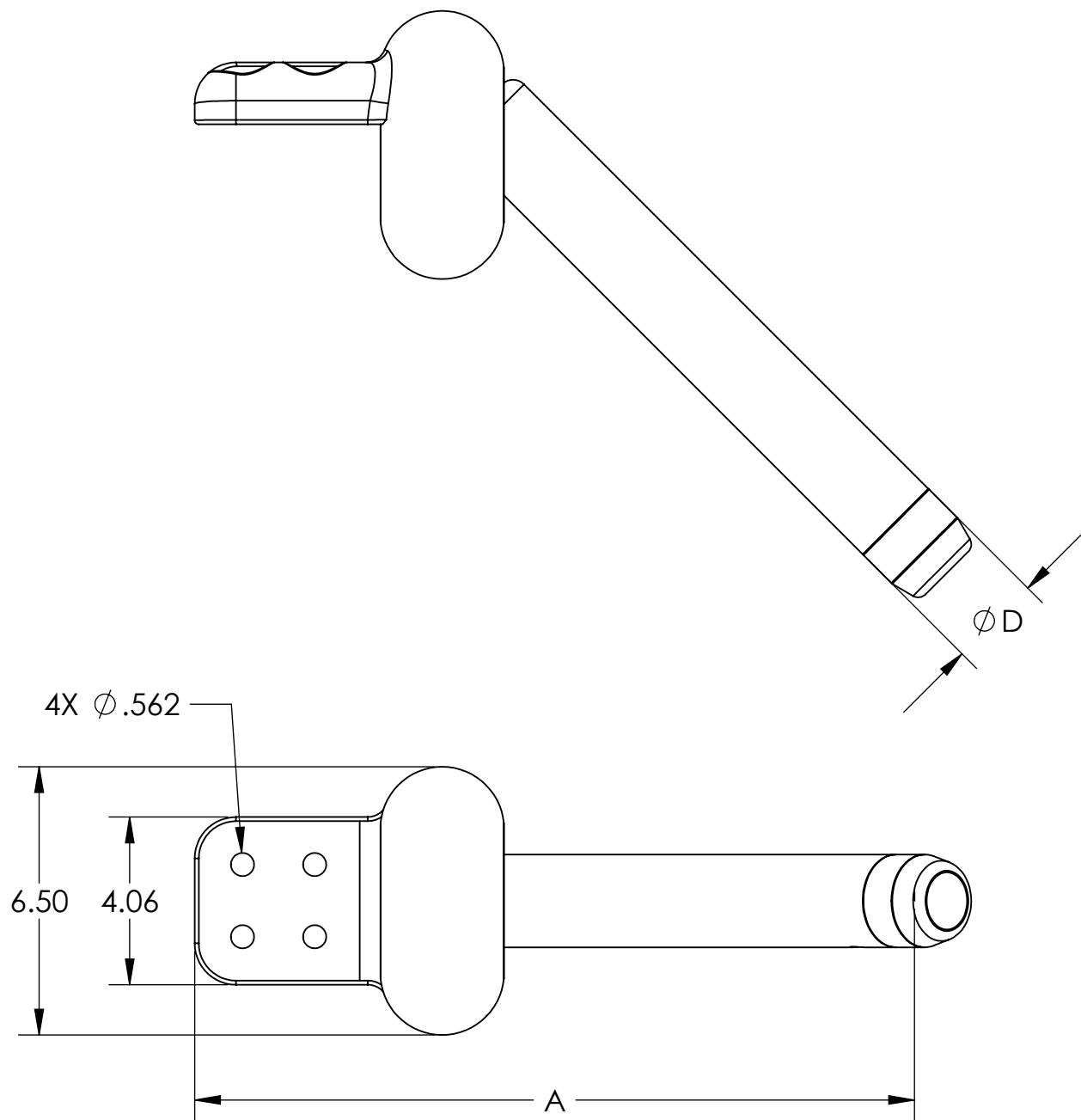


FIGURE 2.
LONG BARREL OPTION

TABLE: AVAILABLE OPTIONS				
ASSEMBLY PART NUMBER	RATING (AMPS)	A	Ø D	FIGURE
CEHV9444D09000X	1079	9.85	2.000	1
CEHV9444D09540X				
CEHV9444D10000X				
CEHV9444D10335X				
CEHV9444D11130X				
CEHV9444D11925X	1408	9.85	2.250	
CEHV9444D12720X				
CEHV9444D13515X				
CEHV9444D14310X				
CEHV9444D15105X				
CEHV9444D15900X				
CEHV9444D17500X				
CEHV9444D18000X	1706	10.56	2.750	
CEHV9444D20000X				
CEHV9444D22500X				
CEHV9444D25000X				
LONG BARREL				
CEHV9444D07950LBX	948	17.45	1.875	2
CEHV9444D12720LBX	1408		2.250	2