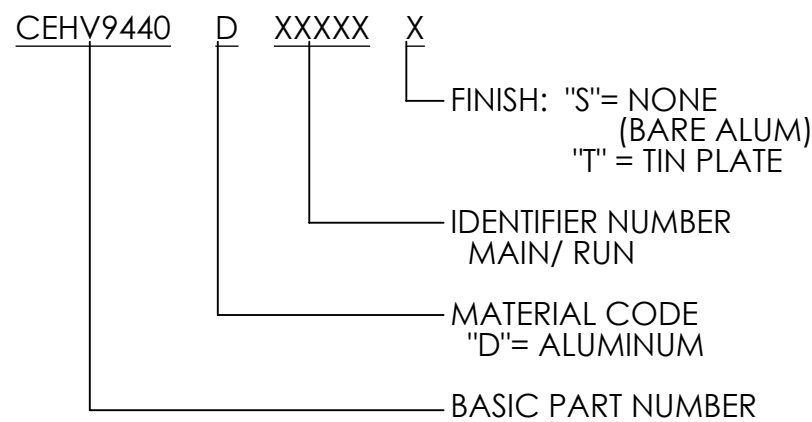


TABLE: AVAILABLE OPTIONS			
ASSEMBLY PART NUMBER	A	ØD	T
CEHV9440D07950X	9.625	1.875	0.625
CEHV9440D09000X	9.750	2.000	0.750
CEHV9440D09540X			
CEHV9440D10000X			
CEHV9440D10335X			
CEHV9440D11130X			
CEHV9440D11925X		2.250	
CEHV9440D12720X			
CEHV9440D13515X			
CEHV9440D14310X			
CEHV9440D15105X			
CEHV9440D17500X	9.875	2.750	1.000
CEHV9440D18000X			
CEHV9440D20000X			
CEHV9440D22500X			
CEHV9440D23000X			
CEHV9440D25000X			

**LEGEND:**



THIS DRAWING AND THE INFORMATION CONTAINED HEREIN ARE THE PROPERTY OF DMCPOWER AND SHALL NOT BE COPIED, REPRODUCED OR DISCLOSED WITHOUT EXPRESS AUTHORIZATION BY DMCPOWER.