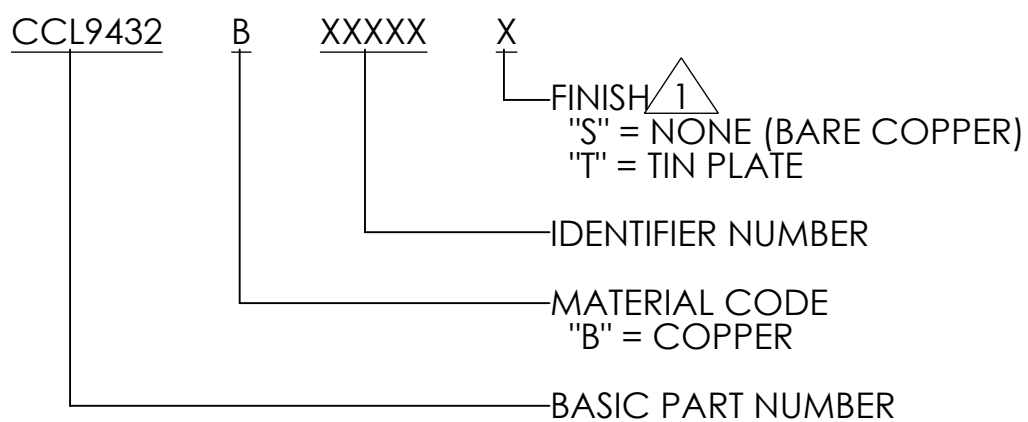


TABLE: AVAILABLE OPTIONS

ASSEMBLY PART NUMBER	A	OUTSIDE DIAMETER	T
		Ø D	
CCL9432B00004X	6.375	.500	.250
CCL9432B00040X		1.000	
CCL9432B02500X		1.500	
CCL9432B05000X	6.725	1.875	.375
CCL9432B07500X	7.100	2.000	.375
CCL9432B10000X	7.875		.500

LEGEND:



THIS DRAWING AND THE INFORMATION CONTAINED HEREIN ARE THE PROPERTY OF DMCPower AND SHALL NOT BE COPIED, REPRODUCED OR DISCLOSED WITHOUT EXPRESS AUTHORIZATION BY DMCPower.