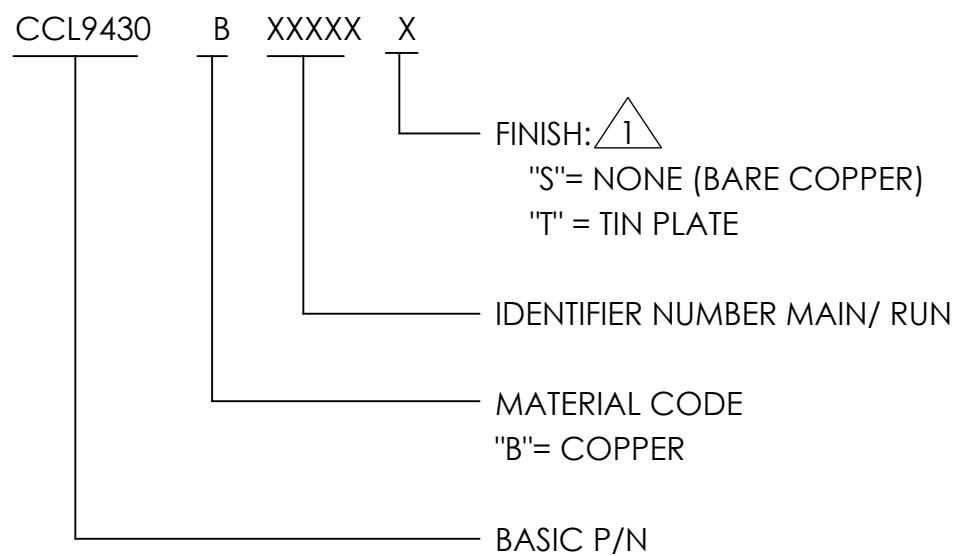


TABLE: AVAILABLE OPTIONS			
ASSEMBLY PART NUMBER	A1	OUTSIDE DIAMETER	T
		ØC	
CCL9430B00010X	6.450	.750	.250
CCL9430B00020X	6.550	1.000	
CCL9430B00030X			
CCL9430B00040X			
CCL9430B02500X			
CCL9430B03000X	6.775	1.250	.375
CCL9430B03500X			
CCL9430B04000X			
CCL9430B04500X	6.875	1.500	
CCL9430B05000X			
CCL9430B06000X	7.250	1.750	
CCL9430B06500X			
CCL9430B07000X		1.875	
CCL9430B07500X			
CCL9430B08000X	7.750	2.000	
CCL9430B09000X			
CCL9430B10000X			
CCL9430B12500X		2.250	
CCL9430B15000X			
CCL9430B17500X			

LEGEND:



THIS DRAWING AND THE INFORMATION CONTAINED HEREIN ARE THE PROPERTY OF DMCPower AND SHALL NOT BE COPIED, REPRODUCED OR DISCLOSED WITHOUT EXPRESS AUTHORIZATION BY DMCPower.