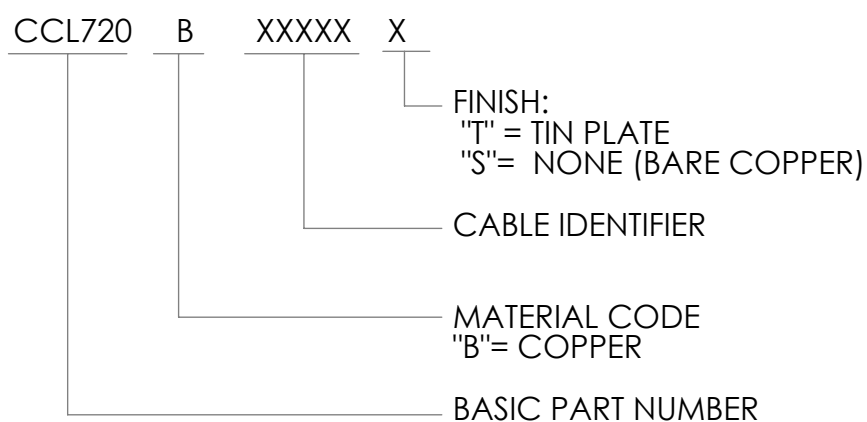


TABLE: AVAILABLE OPTIONS		
COMPONENT PART NUMBER	L	Ø D
CCL720B00020X	3.500	1.0000
CCL720B00030X		
CCL720B00040X		
CCL720B02500X		
CCL720B03000X	3.750	1.250
CCL720B03500X		
CCL720B04000X		1.500
CCL720B04500X		
CCL720B05000X	4.500	1.750
CCL720B06000X		
CCL720B06500X		1.875
CCL720B07000X		
CCL720B07500X	5.250	2.000
CCL720B08000X		
CCL720B09000X		2.250
CCL720B10000X		
CCL720B12500X	5.500	2.750
CCL720B15000X		
CCL720B17500X		
CCL720B20000X		

LEGEND



THIS DRAWING AND THE INFORMATION CONTAINED HEREIN ARE THE PROPERTY OF DMCPower AND SHALL NOT BE COPIED, REPRODUCED OR DISCLOSED WITHOUT EXPRESS AUTHORIZATION BY DMCPower.