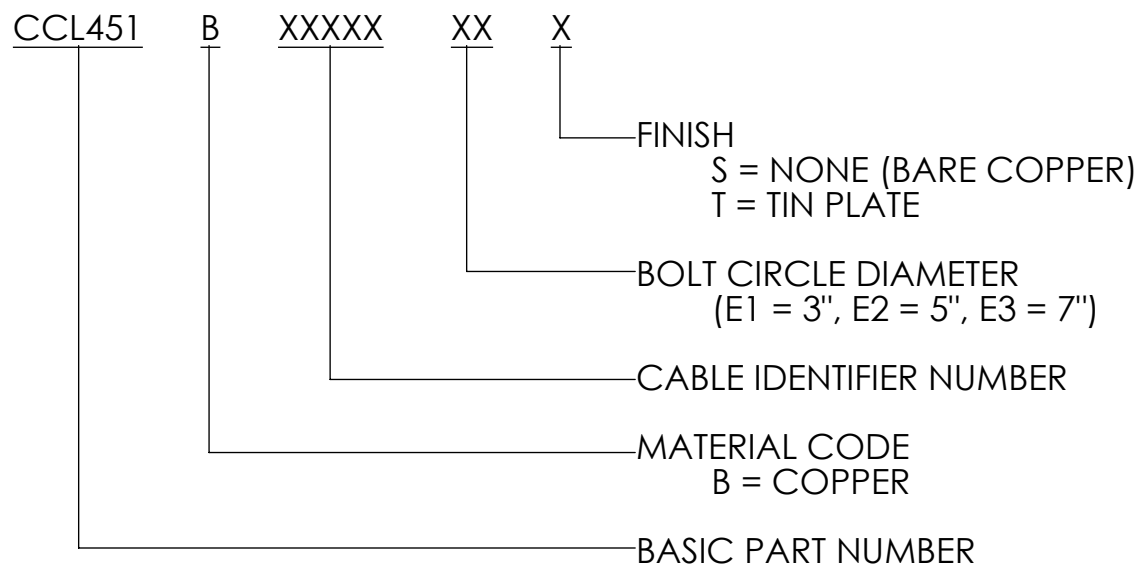


| TABLE: AVAILABLE OPTIONS |          |       |       |
|--------------------------|----------|-------|-------|
| ASSEMBLY PART NUMBER     | $\phi C$ | H     | L     |
| CCL451B05000E1X          | 1.500    | 3.375 | 8.000 |
| CCL451B07500E1X          | 1.875    | 3.375 | 8.000 |

| SUFFIX E <sub>y</sub> | BOLT CIRCLE | SLOT SIZE      |
|-----------------------|-------------|----------------|
| E1                    | 3"          | 9/16 X 13/6    |
| E2                    | 5"          | 11/16 X 1-1/16 |
| E3                    | 7"          | 13/16 X 1-1/2  |

**LEGEND:**



THIS DRAWING AND THE INFORMATION CONTAINED HEREIN ARE THE PROPERTY OF DMCPower AND SHALL NOT BE COPIED, REPRODUCED OR DISCLOSED WITHOUT EXPRESS AUTHORIZATION BY DMCPower.