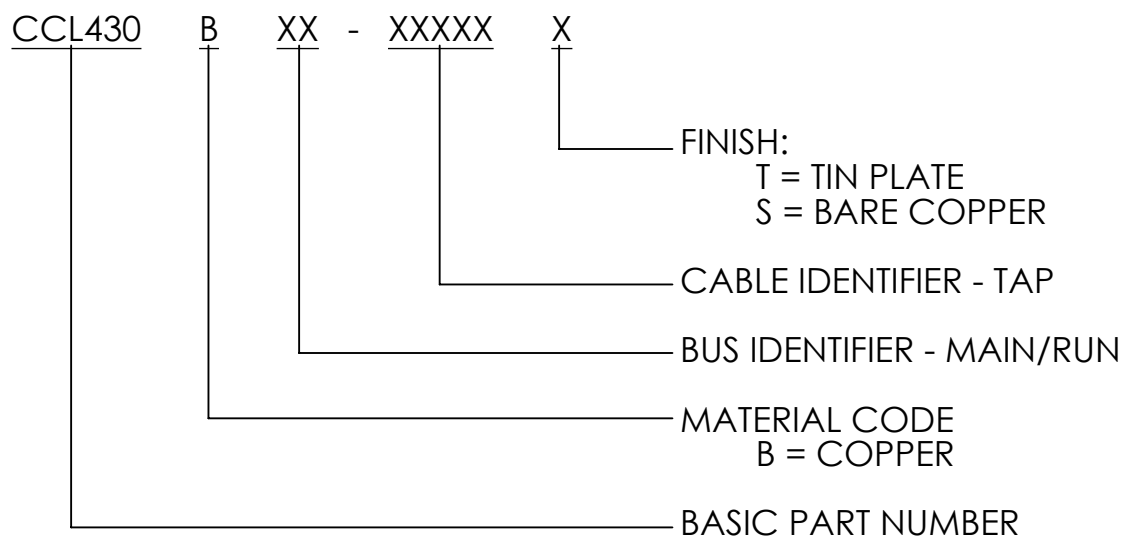


TABLE: AVAILABLE OPTIONS

ASSEMBLY PART NUMBER	OUTSIDE DIAMETER		H	L
	MAIN/RUN ϕ C	TAP ϕ D		
CCL430B24-00040X	2.500	1.000	3.45	8.50

LEGEND:



THIS DRAWING AND THE INFORMATION CONTAINED HEREIN ARE THE PROPERTY OF DMCPower AND SHALL NOT BE COPIED, REPRODUCED OR DISCLOSED WITHOUT EXPRESS AUTHORIZATION BY DMCPower.