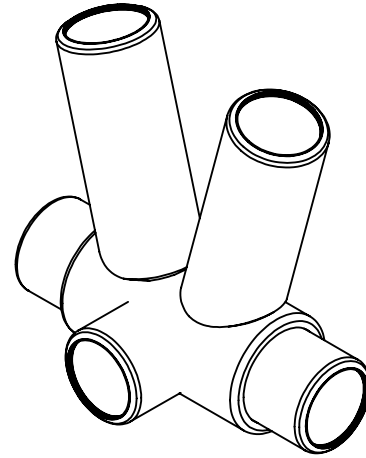
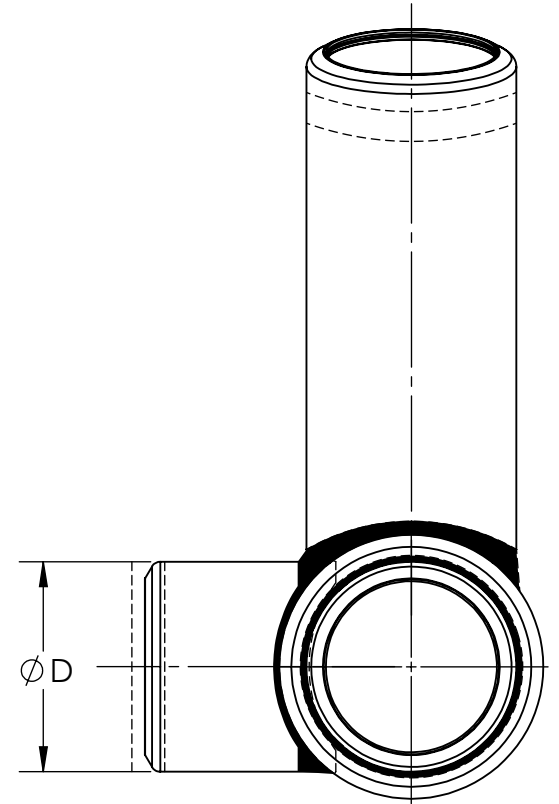
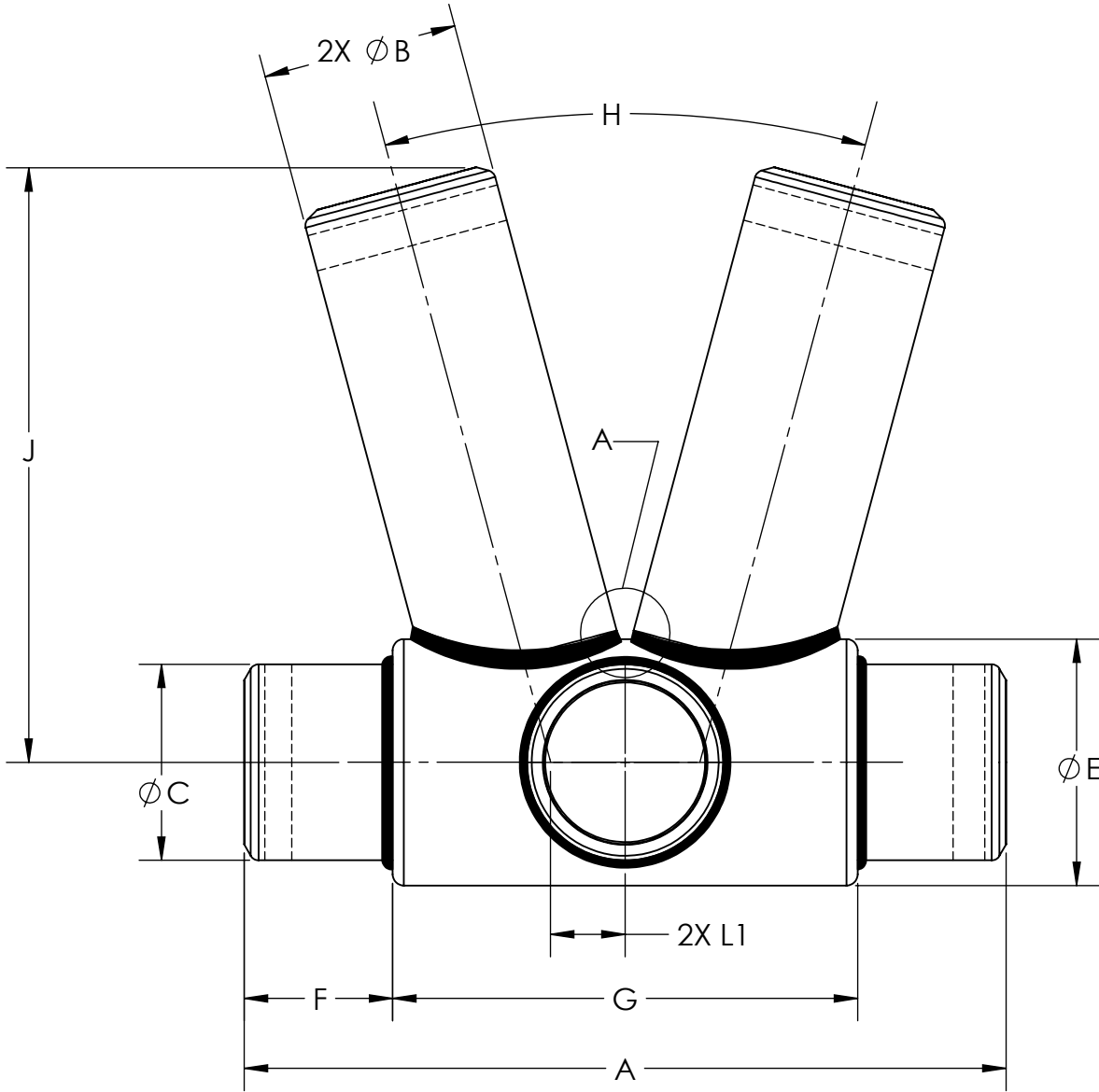


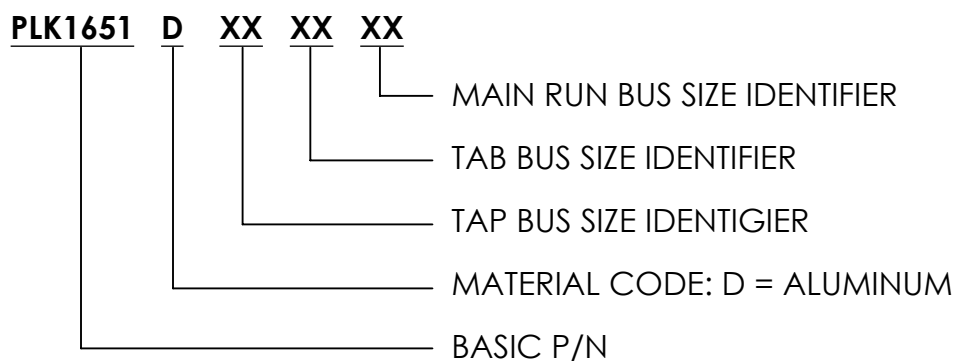
DETAIL A
SCALE 1 : 2



ISOMETRIC VIEW



ASSEMBLY PART NUMBER	A REF	ØB REF	ØC REF	ØD REF	ØE REF	F ±.050	G REF	H ±1°	J REF	L1 REF	L2 REF
PLK1651D484848	17.000	4.375	4.375	4.375	5.500	3.313	10.375	30	13.270	1.664	.377



EO190715 BY: M.M.
DATE: 10/24/16 E.K.

DO NOT SCALE DRAWING

- UNLESS OTHERWISE SPECIFIED -

DECIMALS .XX ±.01"
.XXX ±.005"
FRACTIONS ±1/64"
ANGLES ±0°30'

MACHINED SURFACES 125/
"DRILL" HOLES PER AND10387
PARTS TO BE FREE OF BURRS & SHARP EDGES
DIMENSIONING AND TOLERANCING PER
ASME Y14.5M-1994

DMCPOWER.COM
Next Generation Power Connections
623 EAST ARTESIA BOULEVARD, CARSON, CA 90746

THIS DRAWING AND THE INFORMATION
CONTAINED HEREIN ARE THE PROPERTY
OF DMC Power AND SHALL NOT BE
COPIED, REPRODUCED OR DISCLOSED
WITHOUT EXPRESS AUTHORIZATION
BY DMC Power.

DRAWN	DATE
M. MCMICHAEL	10/24/2016
CHECKED	DATE
E. KHANSA	10/24/2016
APPROVED	DATE
E. KHANSA	10/24/2016

TITLE

**A-FRAME CONNECTOR WITH
90 DEGREE ELBOW**

DWG NO

PLK1651

SIZE
B

SHEET 1 OF 1