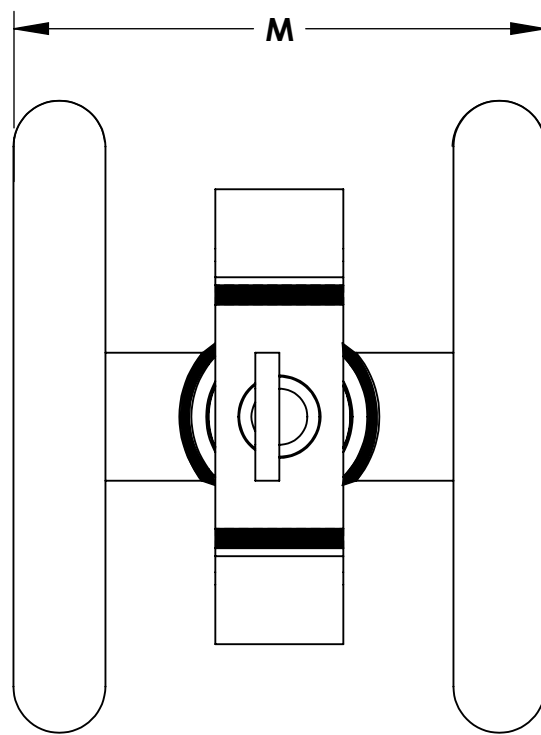
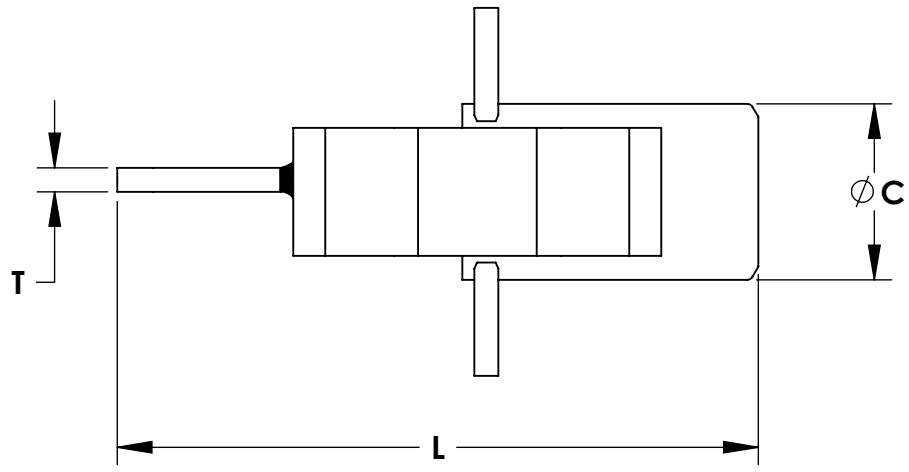
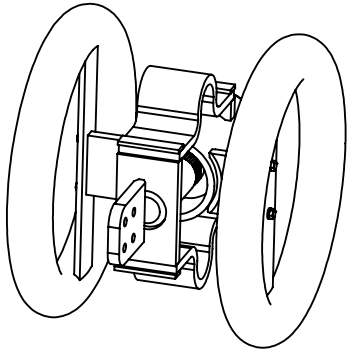


**IN-WARD PLK3600D96E1 AND
-90 OPTIONAL CORONA RINGS ASSY**

THIS DRAWING AND THE INFORMATION CONTAINED HEREIN ARE THE PROPERTY OF DMCPower AND SHALL NOT BE COPIED, REPRODUCED OR DISCLOSED WITHOUT EXPRESS AUTHORIZATION BY DMCPower.



PLK3600D64E1-90 CONFIGURATION SHOWN ON THIS PAGE

THIS DRAWING AND THE INFORMATION CONTAINED HEREIN ARE THE PROPERTY OF DMCPOWER AND SHALL NOT BE COPIED, REPRODUCED OR DISCLOSED WITHOUT EXPRESS AUTHORIZATION BY DMCPOWER.

TABLE: AVAILABLE OPTIONS

ASSEMBLY PART NUMBER	BUS SIZE	ØC	PAD OPTION	Ez	L	M	N	T
PLK3600D48E1	3	4.375	E1	4.00	25.25	15.50	11.75	0.75
PLK3600D48E2			E2	3.00				
PLK3600D48E3			E3	5.00	11.5			
PLK3600D48E4			E4	6.00				
PLK3600D56E1	3-1/2	5.000	E1	4.00	28.25	16.13	12.38	0.75
PLK3600D56E2			E2	3.00				
PLK3600D56E3			E3	5.00	11.5			
PLK3600D56E4			E4	6.00				
PLK3600D64E1	4	5.500	E1	4.00	31.25	16.63	12.88	0.75
PLK3600D64E2			E2	3.00				
PLK3600D64E3			E3	5.00	11.5			
PLK3600D64E4			E4	6.00				
PLK3600D80E1	5	6.500	E1	4.00	38.5	18.00	14.25	1.00
PLK3600D80E2			E2	3.00				
PLK3600D80E3			E3	5.00	11.5			
PLK3600D80E4			E4	6.00				
PLK3600D96E1	6	8.000	E1	4.00	31.75	19.83	16.08	1.25
PLK3600D96E2			E2	3.00				
PLK3600D96E3			E3	5.00	11.5			
PLK3600D96E4			E4	6.00				

ASSEMBLY PART NUMBER	BUS SIZE	ØC	PAD OPTION	Ez	L	M	N	T
PLK3600D96E1-90	6	8.000	E1	4.00	25.25	19.83	16.08	0.75
PLK3600D96E2-90			E2	3.00				
PLK3600D96E3-90			E3	5.00	11.5			
PLK3600D96E4-90			E4	6.00				

LEGEND

