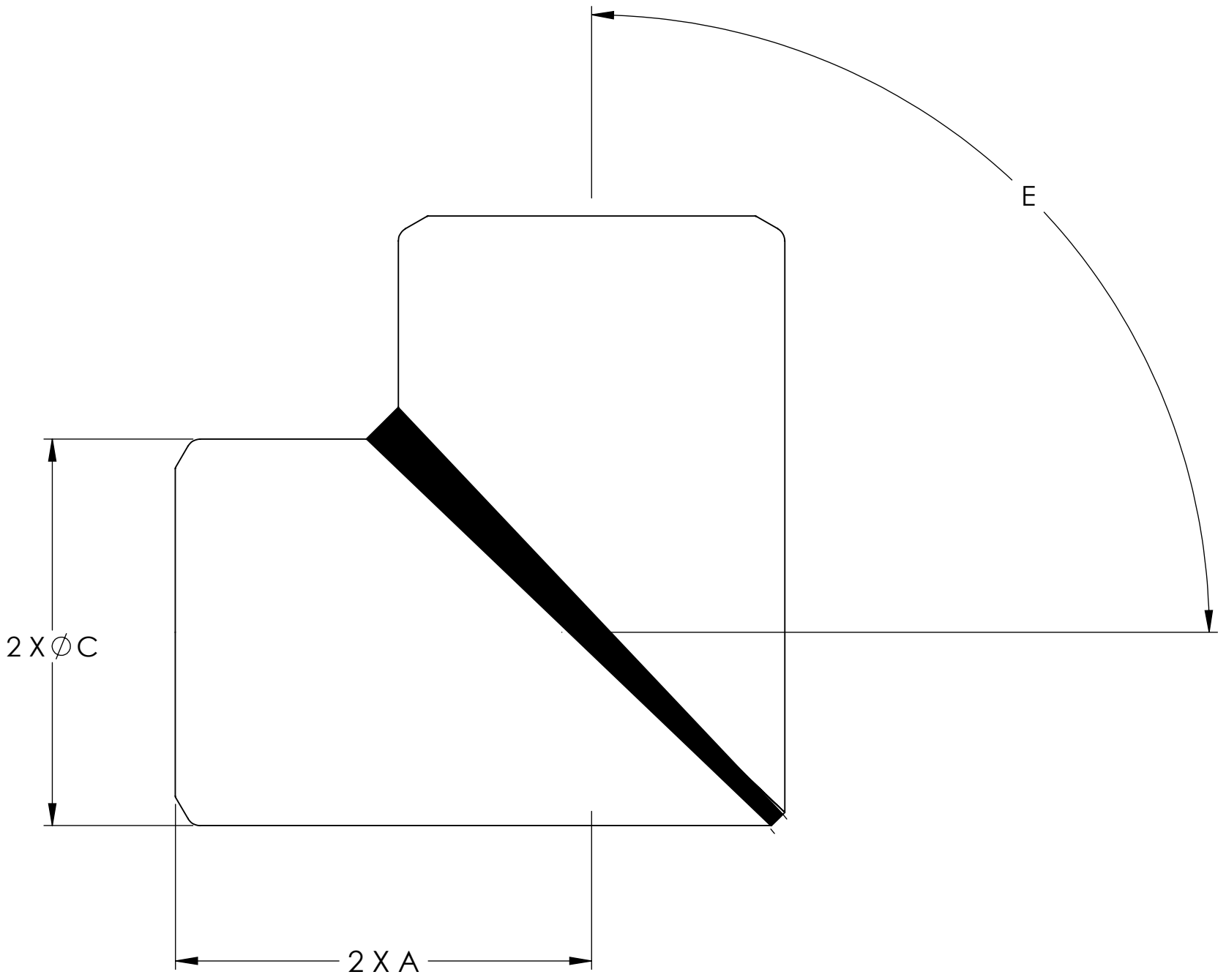


VIEW A

THIS DRAWING AND THE INFORMATION CONTAINED HEREIN ARE THE PROPERTY OF DMCPower AND SHALL NOT BE COPIED, REPRODUCED OR DISCLOSED WITHOUT EXPRESS AUTHORIZATION BY DMCPower.



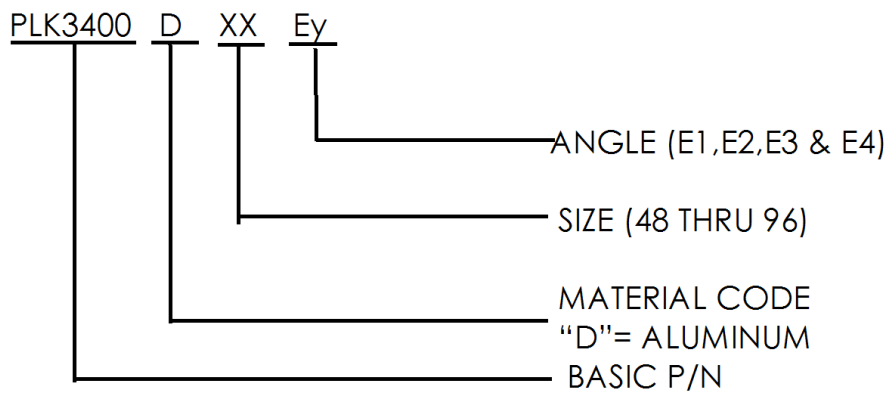
**DETAIL B**

THIS DRAWING AND THE INFORMATION CONTAINED HEREIN ARE THE PROPERTY OF DMCPower AND SHALL NOT BE COPIED, REPRODUCED OR DISCLOSED WITHOUT EXPRESS AUTHORIZATION BY DMCPower.

TABLE: AVAILABLE OPTIONS

ASSEMBLY PART NO.	SIZE:	PIPE SIZE: (NPS)	A	ØC	E
PLK3400D48E1	48	3"	4.425	4.375	30°±2°
PLK3400D48E2			4.425		45°±2°
PLK3400D48E3			4.925		60°±2°
PLK3400D48E4			5.925		90°±2°
PLK3400D56E1	56	3-1/2"	4.925	5.000	30°±2°
PLK3400D56E2			4.925		45°±2°
PLK3400D56E3			4.925		60°±2°
PLK3400D56E4			5.925		90°±2°
PLK3400D64E1	64	4"	4.925	5.500	30°±2°
PLK3400D64E2			4.925		45°±2°
PLK3400D64E3			5.925		60°±2°
PLK3400D64E4			5.925		90°±2°
PLK3400D80E1	80	5"	7.425	6.500	30°±2°
PLK3400D80E2			7.425		45°±2°
PLK3400D80E3			8.425		60°±2°
PLK3400D80E4			8.425		90°±2°
PLK3400D96E1	96	6"	7.425	8.000	30°±2°
PLK3400D96E2			8.425		45°±2°
PLK3400D96E3			9.425		60°±2°
PLK3400D96E4			10.425		90°±2°

LEGEND:



THIS DRAWING AND THE INFORMATION CONTAINED HEREIN ARE THE PROPERTY OF DMCPOWER AND SHALL NOT BE COPIED, REPRODUCED OR DISCLOSED WITHOUT EXPRESS AUTHORIZATION BY DMCPOWER.