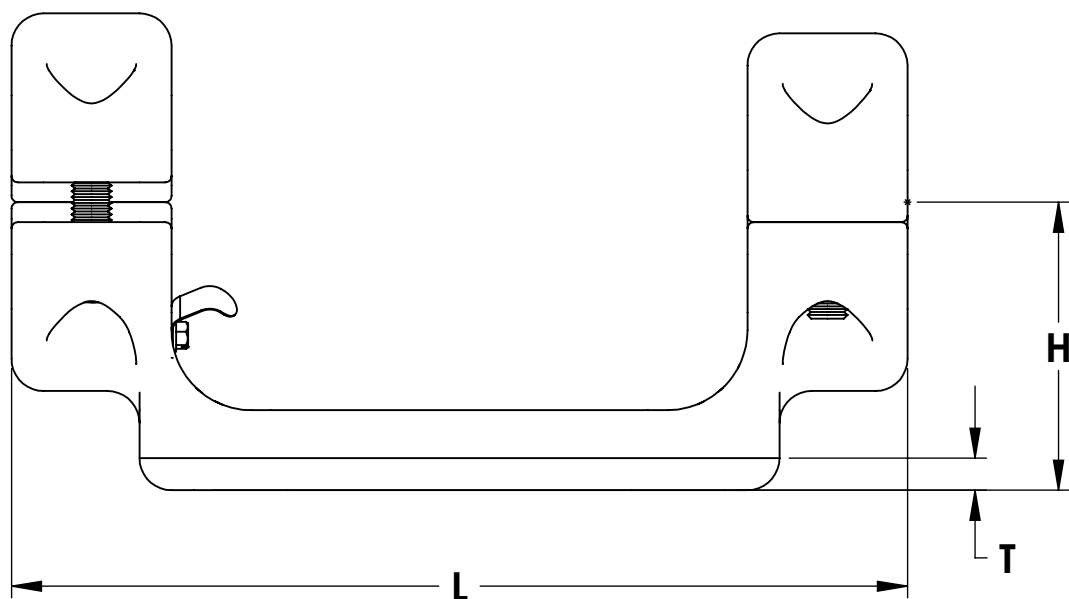
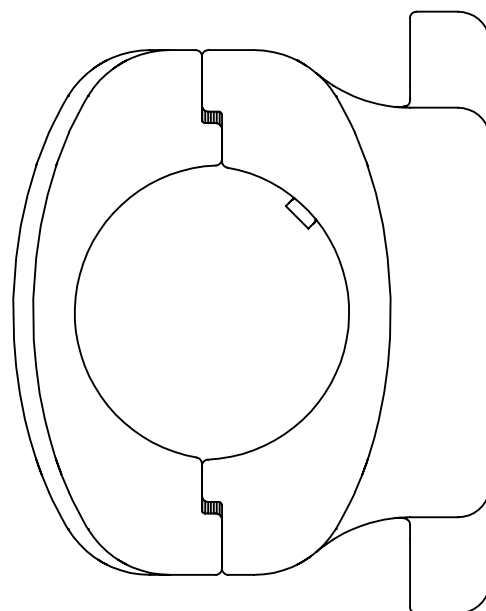
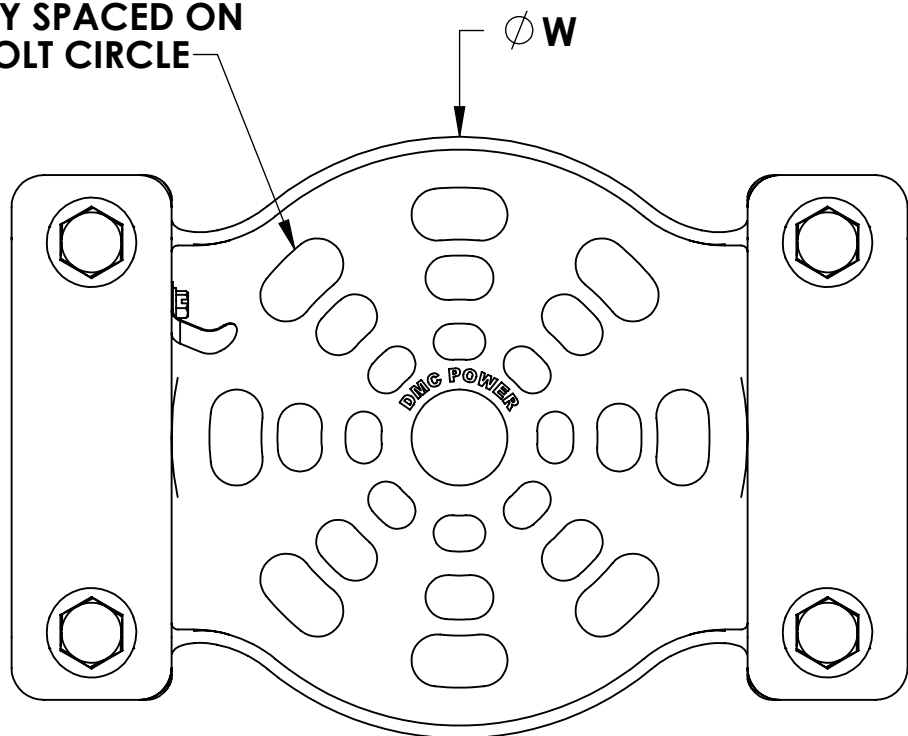


8 X S HOLES
EQUALLY SPACED ON
Ey BOLT CIRCLE

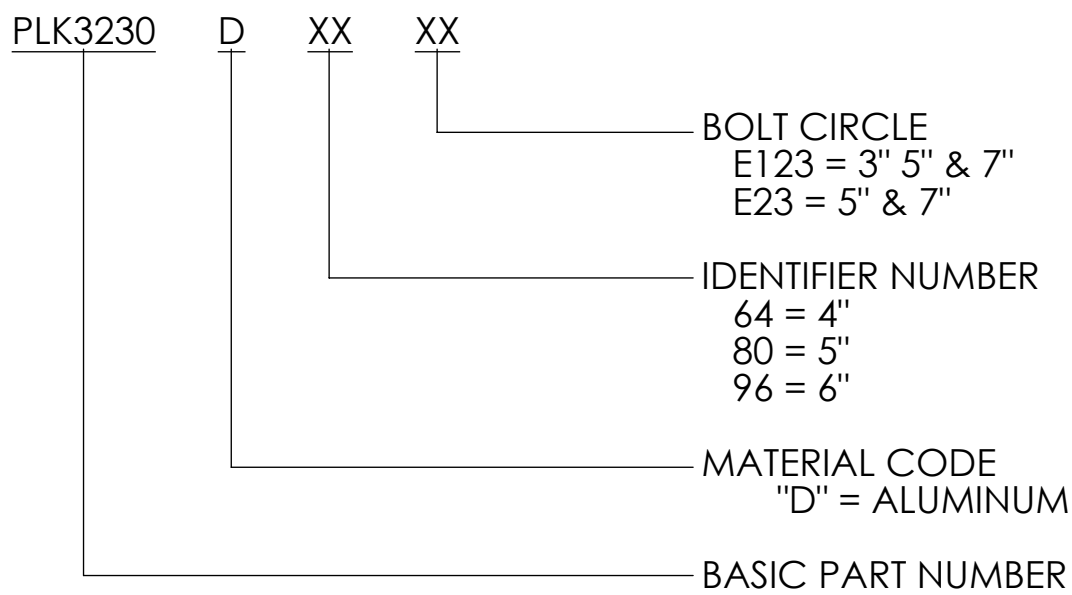


THIS DRAWING AND THE INFORMATION CONTAINED HEREIN ARE THE PROPERTY OF DMCPOWER AND SHALL NOT BE COPIED, REPRODUCED OR DISCLOSED WITHOUT EXPRESS AUTHORIZATION BY DMCPOWER.

TABLE: AVAILABLE OPTIONS

POWERLOK ASSEMBLY PART NUMBER	PIPE SIZE (NPS)	DIMENSIONS IN INCHES					
		Ey	H	L	S	T BASE THICKNESS	Ø W
PLK3230D64E123	4"	3", 5", & 7"	4.50	14.00	9/16" X 13/16" & 11/16" X 1-1/16" & 13/16" X 1-1/2"	0.50	9.40
PLK3230D80E23	5"	5" & 7"	5.00	14.00	11/16" X 1-1/16" & 13/16" X 1-1/2"	0.50	9.40
PLK3230D96E23	6"	5" & 7"	5.50	14.00	11/16" X 1-1/16" & 13/16" X 1-1/2"	0.75	9.40

LEGEND:



THIS DRAWING AND THE INFORMATION CONTAINED HEREIN ARE THE PROPERTY OF DMCPower AND SHALL NOT BE COPIED, REPRODUCED OR DISCLOSED WITHOUT EXPRESS AUTHORIZATION BY DMCPower.