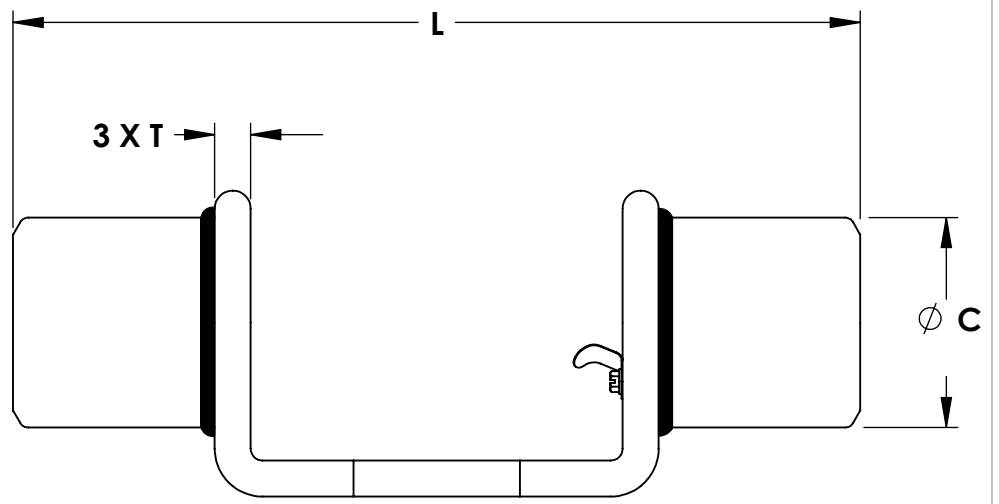
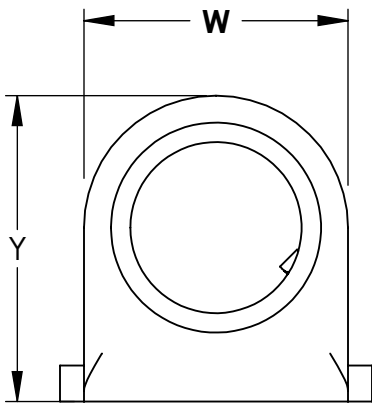


1 **S** HOLE 8X  
EQUALLY SPACED  
ON Ey B.C.



LEGEND:

PLK3210 D XX Ey

BOLT HOLE DIA  
OPTION LETTER  
( E12-3 & E5, E23-5 & 7 )

SIZE: (48 THRU 96)

MATERIAL CODE  
D = ALUMINUM

BASIC P/N

THIS DRAWING AND THE INFORMATION CONTAINED HEREIN ARE THE PROPERTY OF DMCPOWER AND SHALL NOT BE COPIED, REPRODUCED OR DISCLOSED WITHOUT EXPRESS AUTHORIZATION BY DMCPOWER.

POWERLOK ASSEMBLY PART NUMBER	PIPE SIZE NPS	C	Ey DIA BOLT CIRCLE		DIMENSION IN INCHES			
			IN	OPTION LETTERS	L	T	S (8X) SLOT SIZES	W
PLK3210D48E12	3	4.375	3 5	E12	17.65	3/4	9/16" X 13/16" 11/16 X 1-1/16"	5.500
PLK3210D56E12	3-1/2	5.000	3 5	E12	18.05	3/4	9/16" X 13/16" 11/16 X 1-1/16"	6.500
PLK3210D64E12	4	5.500	3 5	E12	18.25	3/4	9/16" X 13/16" 11/16 X 1-1/16"	6.500
PLK3210D80E23	5	6.500	5 7	E23	27.00	3/4	11/16" X 1-1/16" 13/16" X 1-1/2"	7.500
PLK3210D96E23	6	8.000	5 7	E23	29.00	3/4	11/16" X 1-1/16" 13/16" X 1-1/2"	9.000

THIS DRAWING AND THE INFORMATION CONTAINED HEREIN ARE THE PROPERTY OF DMCPower AND SHALL NOT BE COPIED, REPRODUCED OR DISCLOSED WITHOUT EXPRESS AUTHORIZATION BY DMCPower.