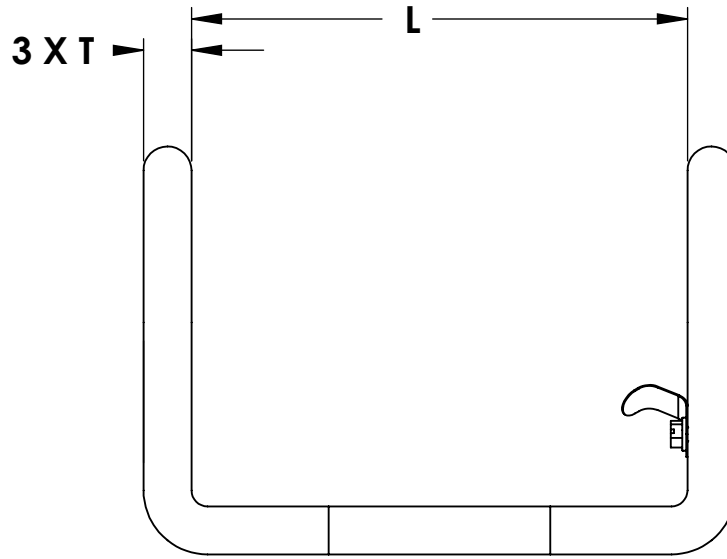
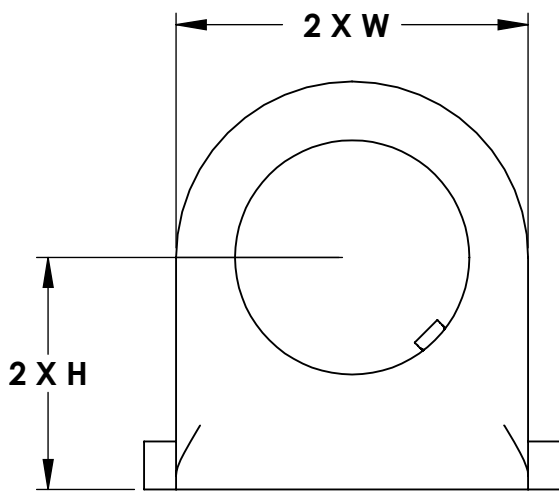


"S" HOLE 8 PLACES  
EQUALLY SPACED  
ON "E<sub>y</sub>" B.C.



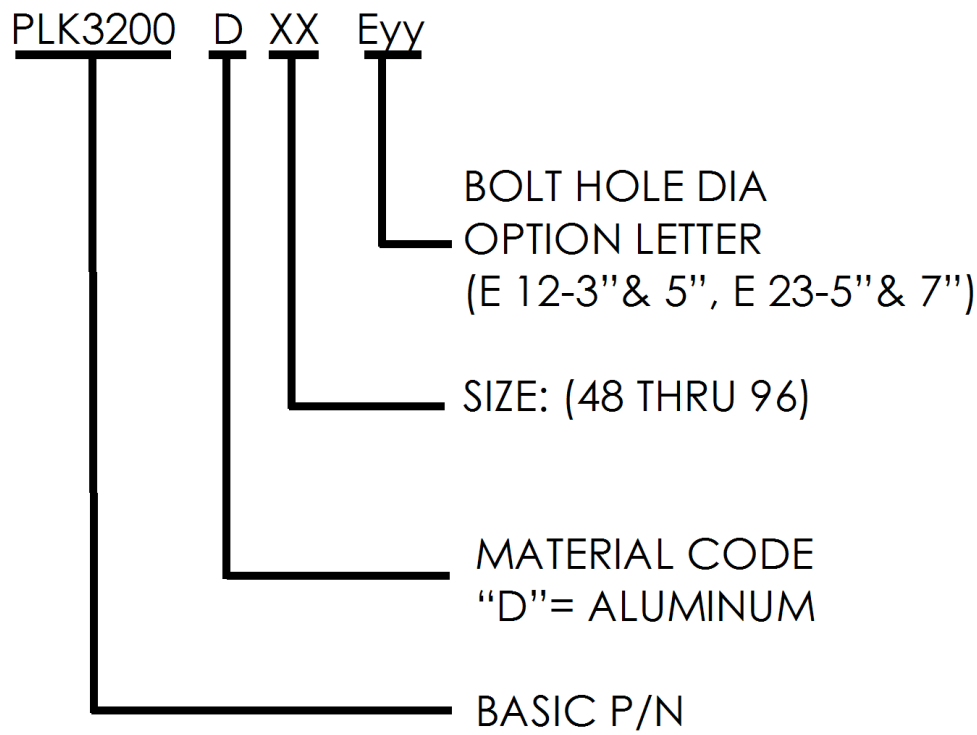
SUFFIX	BOLT CIRCLE	SLOT SIZE
E12	3.00	9/16 X 13/16
	5.00	11/16 X 1-1/16
E23	5.00	11/16 X 1-1/16
	7.00	13/16 X 1-1/2

THIS DRAWING AND THE INFORMATION CONTAINED HEREIN ARE THE PROPERTY OF DMCPower AND SHALL NOT BE COPIED, REPRODUCED OR DISCLOSED WITHOUT EXPRESS AUTHORIZATION BY DMCPower.

TABLE: AVAILABLE OPTIONS

POWERLOK ASSEMBLY PART NUMBER	PIPE SIZE (NPS)	Ey DIA		DIMENSIONS IN INCHES				
		(IN)	OPTION LETTERS	H	L	T	S <sub>8X</sub>	W
PLK3200D48E12	3"	3" 5"	E12	3-5/8"	7.75	3/4"	9/16" X 13/16" 11/16 X 1-1/16"	5.500
PLK3200D56E12	3-1/2"	3" 5"	E12	4"	7.75	3/4"	9/16" X 13/16" 11/16 X 1-1/16"	6.500
PLK3200D64E12	4"	3" 5"	E12	4-1/2"	7.75	3/4"	9/16" X 13/16" 11/16 X 1-1/16"	6.500
PLK3200D80E23	5"	5" 7"	E23	5"	10.50	3/4"	11/16" X 1-1/16" 13/16" X 1-1/2"	7.500
PLK3200D96E23	6"	5" 7"	E23	5-1/2"	10.50	3/4"	11/16" X 1-1/16" 13/16" X 1-1/2"	9.000

**LEGEND:**



THIS DRAWING AND THE INFORMATION CONTAINED HEREIN ARE THE PROPERTY OF DMCPOWER AND SHALL NOT BE COPIED, REPRODUCED OR DISCLOSED WITHOUT EXPRESS AUTHORIZATION BY DMCPOWER.