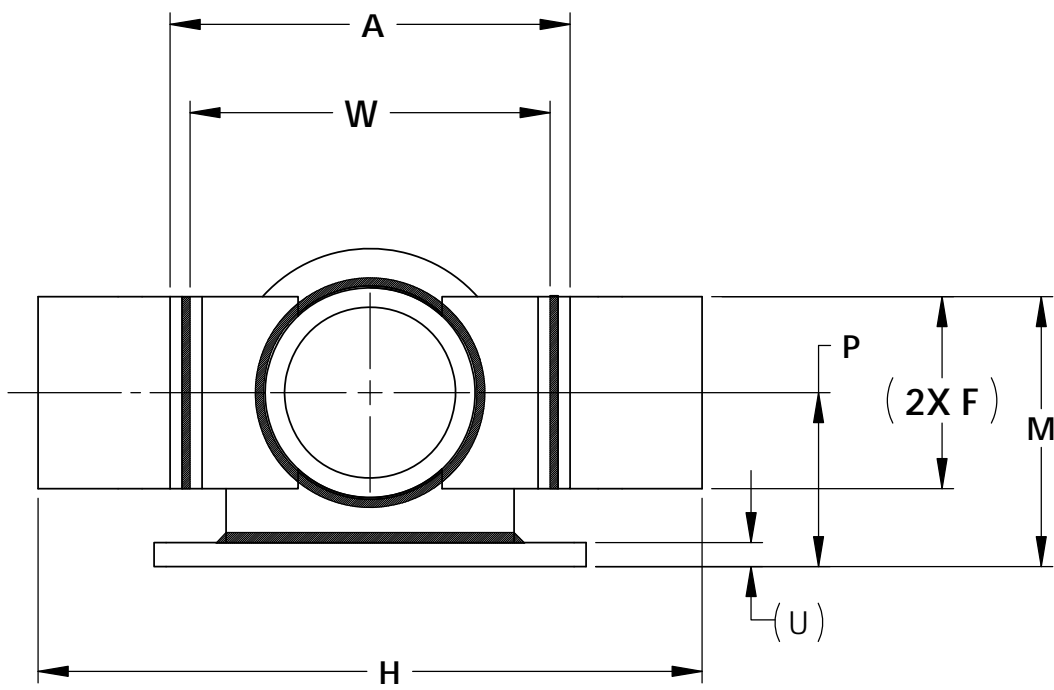


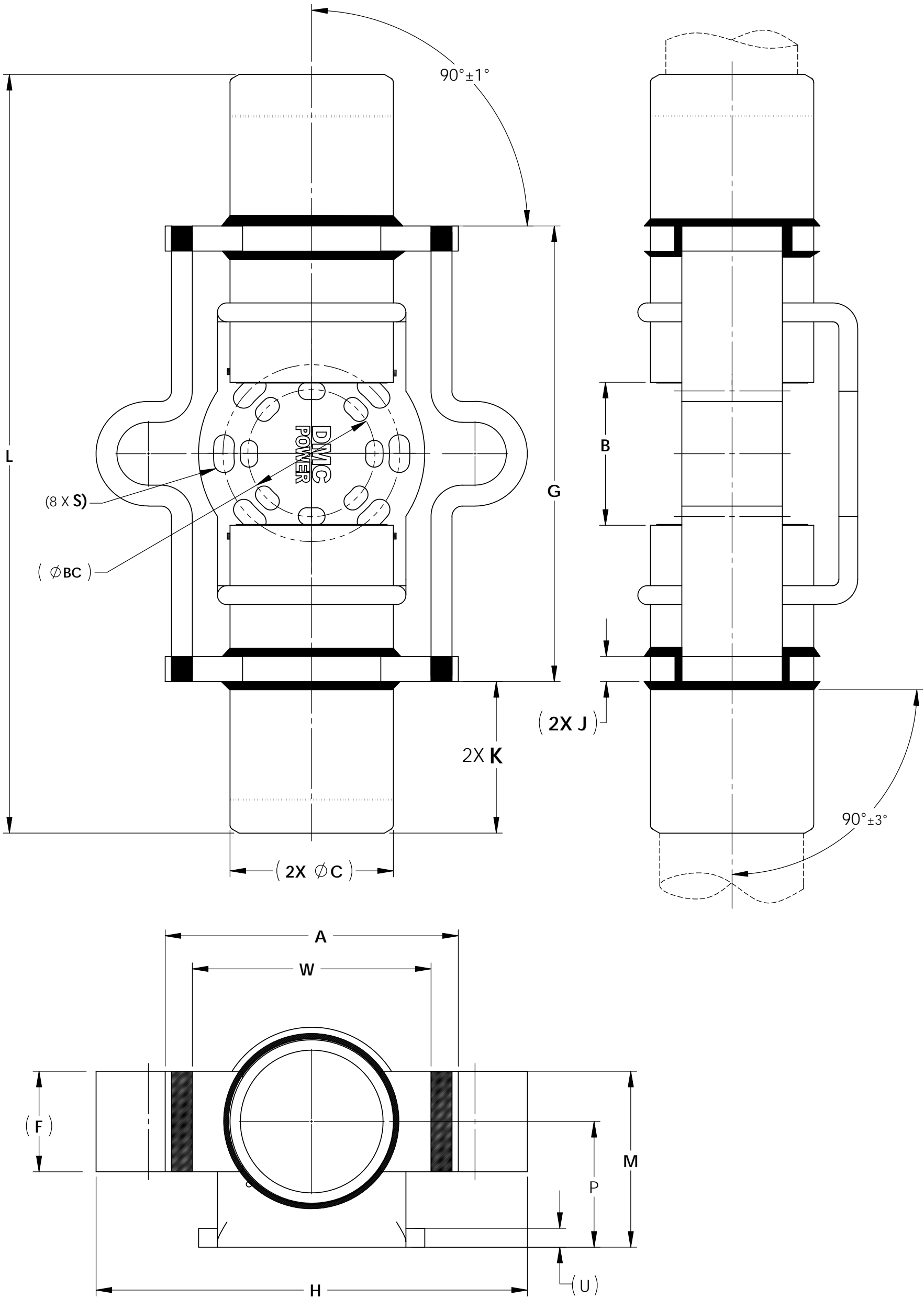
**PowerLok ELECTRIC CONNECTOR  
EXPANSION BUS SUPPORT**



**PLK2700DXXEy**

SEE TABLE ON SHEET 5

THIS DRAWING AND THE INFORMATION CONTAINED HEREIN ARE THE PROPERTY OF DMC Power AND SHALL NOT BE COPIED, REPRODUCED OR DISCLOSED WITHOUT EXPRESS AUTHORIZATION BY DMC Power.



**PLK2700DXXEyy**

SEE TABLE ON SHEET 5

**AVAILABLE OPTION TABLE:**

| EXPANSION TERMINAL ASSEMBLY PART NUMBER | BUS SIZE: (NPS) | A MAX | B ± .050 | (ØC)  | (E)   | (F)  | (ØBC)        | (S)                                 | G ± .150 | H ± .150 |
|---|-----------------|-------|----------|-------|-------|------|--------------|-------------------------------------|----------|----------|
| PLK2700D32E12                           | 2"              | 7.40  | 5.500    | 3.000 | 8.25  | 2.00 | 3.00<br>5.00 | 9/16" X 13/16"<br>11-16" X 1-1/16"  | 14.67    | 13.382   |
| PLK2700D40E12                           | 2-1/2"          | 7.43  | 4.250    | 3.750 | 8.25  | 4.00 | 3.00<br>5.00 | 9/16" X 13/16"<br>11/16" X 1-1/16"  | 14.57    | 13.418   |
| PLK2700D48E12                           | 3"              | 8.90  | 4.250    | 4.375 | 8.25  | 4.00 | 3.00<br>5.00 | 9/16" X 13/16"<br>11/16" X 1-1/16"  | 14.57    | 14.883   |
| PLK2700D48E3                            |                 | 9.33  | 5.688    |       |       |      | 7.00         | 13/16" X 1 1/2"                     | 16.01    | 14.882   |
| PLK2700D56E12                           | 3-1/2"          | 9.59  | 4.250    | 5.000 | 8.25  | 4.00 | 3.00<br>5.00 | 9/16" X 13/16"<br>11/16" X 1-1/16"  | 14.57    | 15.574   |
| PLK2700D56E3                            |                 | 10.02 | 5.688    |       |       |      | 7.00         | 13/16" X 1 1/2"                     | 16.01    |          |
| PLK2700D64E12                           | 4"              | 10.78 | 4.250    | 5.500 | 8.25  | 4.00 | 3.00<br>5.00 | 9/16" X 13/16"<br>11/16" X 1-1/16"  | 14.57    | 16.766   |
| PLK2700D64E23                           |                 | 11.22 | 5.688    |       |       |      | 5.00<br>7.00 | 11/16" X 1-1/16"<br>13/16" X 1-1/2" | 16.01    |          |
| PLK2700D64E3                            |                 | 11.22 | 5.688    |       |       |      | 7.00         | 13/16" X 1 1/2"                     | 16.01    |          |
| PLK2700D80E1                            | 5"              | 12.66 | 3.688    | 6.500 | 12.25 | 4.00 | 3.00         | 9/16" X 13/16"                      | 15.88    | 18.214   |
| PLK2700D80E12                           |                 | 12.23 | 5.688    |       |       |      | 3.00<br>5.00 | 9/16" X 13/16"<br>11/16" X 1-1/16"  | 17.01    |          |
| PLK2700D80E23                           |                 | 12.23 | 5.688    |       |       |      | 5.00<br>7.00 | 11/16" X 1-1/16"<br>13/16" X 1-1/2" | 18.01    |          |
| PLK2700D96E23                           | 6"              | 12.28 | 5.688    | 8.000 | 13.25 | 6.00 | 5.00<br>7.00 | 11/16" X 1-1/16"<br>13/16" X 1-1/2" | 18.01    | 18.266   |

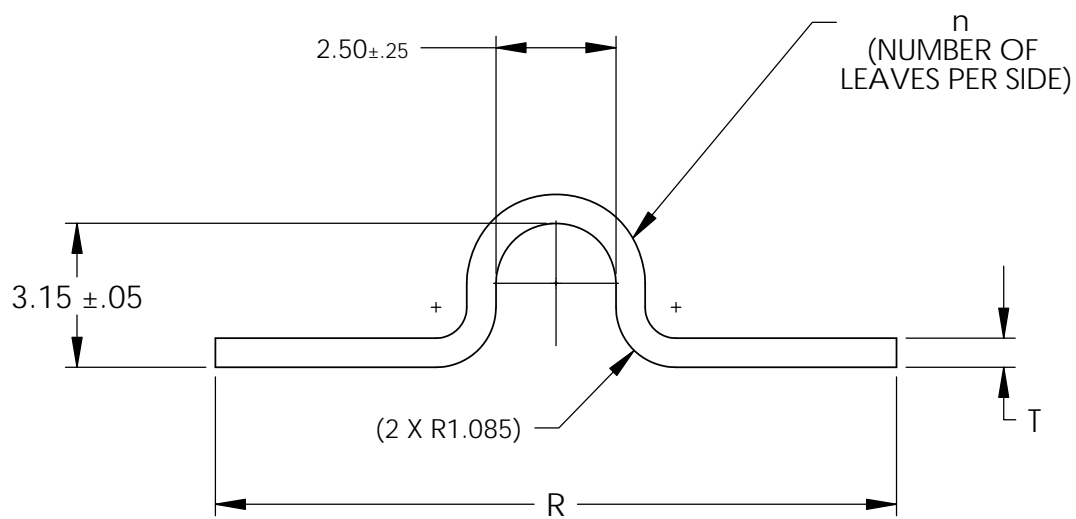
**AVAILABLE OPTION TABLE:**

| EXPANSION TERMINAL ASSEMBLY PART NUMBER | (J)  | K ± .05 | L ± .150 | M ± .055 | P ± 1/16" | R ± .06 | n NUMBER OF LEAVES PER SIDE | T           | (U)   | W ± .030 |       |
|---|------|---------|----------|----------|-----------|---------|-----------------------------|-------------|-------|----------|-------|
| PLK2700D32E12                           | 0.75 | 3.03    | 22.00    | 3.750    | 2-3/4"    | 13.92   | 13                          | .416 ± .033 | 0.750 | 5.50     |       |
| PLK2700D40E12                           | 0.75 | 3.03    | 20.75    | 5.125    | 3-1/8"    | 13.82   | 10                          | .32 ± .025  | 0.750 | 6.50     |       |
| PLK2700D48E12                           | 0.75 | 3.03    | 20.75    | 5.625    | 3-5/8"    | 13.82   | 13                          | .416 ± .033 | 0.750 | 7.50     |       |
| PLK2700D48E3                            |      |         | 22.19    |          |           |         |                             |             | 15.26 |          | 0.500 |
| PLK2700D56E12                           | 0.75 | 3.03    | 20.75    | 6.000    | 4"        | 13.82   | 16                          | .512 ± .040 | 0.750 | 7.50     |       |
| PLK2700D56E3                            |      |         | 22.19    |          |           |         |                             |             | 15.26 |          | 0.500 |
| PLK2700D64E12                           | 0.75 | 3.03    | 20.75    | 6.500    | 4-1/2"    | 13.82   | 19                          | .608 ± .047 | 0.750 | 8.50     |       |
| PLK2700D64E23                           |      |         | 22.19    |          |           |         |                             |             | 15.26 |          | 0.500 |
| PLK2700D64E3                            |      |         | 22.19    |          |           |         |                             |             | 15.26 |          | 0.500 |
| PLK2700D80E1                            | 1.00 | 6.03    | 28.19    | 7.000    | 5"        | 15.13   | 26                          | .832 ± .065 | 0.500 | 9.50     |       |
| PLK2700D80E12                           |      |         | 29.19    |          |           |         |                             |             | 17.26 |          | 0.500 |
| PLK2700D80E23                           |      |         | 30.19    |          |           |         |                             |             | 17.26 |          | 0.750 |
| PLK2700D96E23                           | 1.25 | 7.03    | 32.19    | 8.500    | 5-1/2"    | 17.26   | 19                          | .608 ± .047 | 0.750 | 10.00    |       |

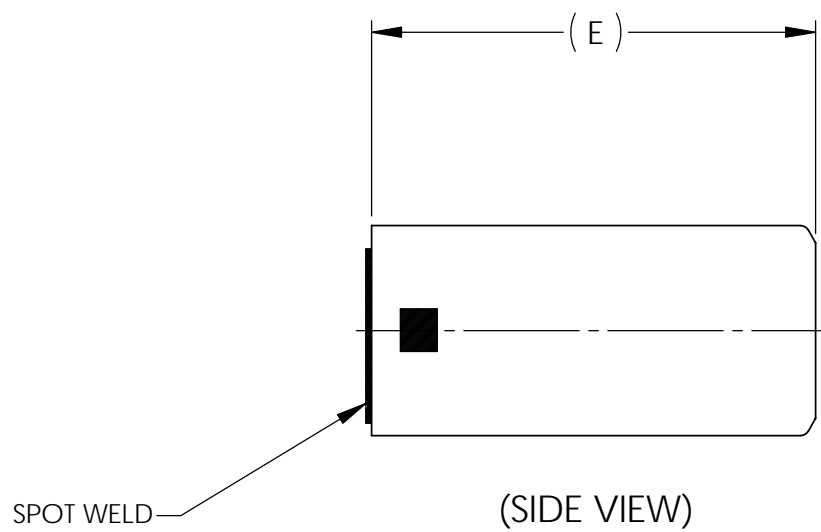
THIS DRAWING AND THE INFORMATION CONTAINED HEREIN ARE THE PROPERTY OF DMC Power AND SHALL NOT BE COPIED, REPRODUCED OR DISCLOSED WITHOUT EXPRESS AUTHORIZATION BY DMC Power.

**LEGEND**

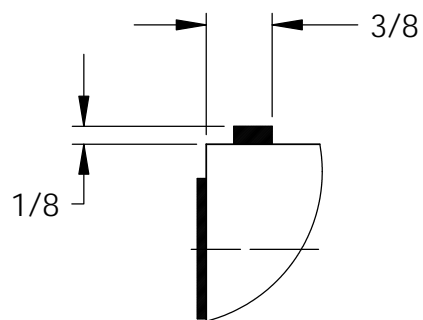
**PLK2700** — BASIC P/N  
**D** — MATERIAL CODE: "D"= ALUMINUM  
**XX** — IDENTIFER NO. SIZE (32 THRU 96)  
**Eyy** — BOLT CIRCLE DIAMETER OPTION  
 (E1= 3" ,E12= 3" & 5" , E23= 5" & 7" AND E3= 7" )



VIEW FORMED LEAVES STACK  
SEE SHEET 1 & 2 FOR ASSEMBLY VIEW



(SIDE VIEW)



(TOP VIEW)

THIS DRAWING AND THE INFORMATION CONTAINED HEREIN ARE THE PROPERTY OF DMC Power AND SHALL NOT BE COPIED, REPRODUCED OR DISCLOSED WITHOUT EXPRESS AUTHORIZATION BY DMC Power.