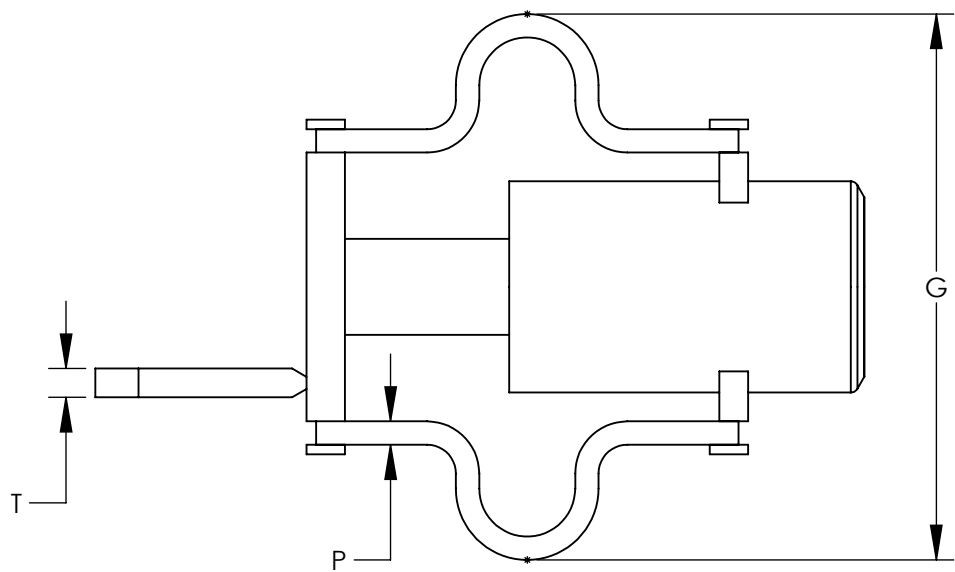
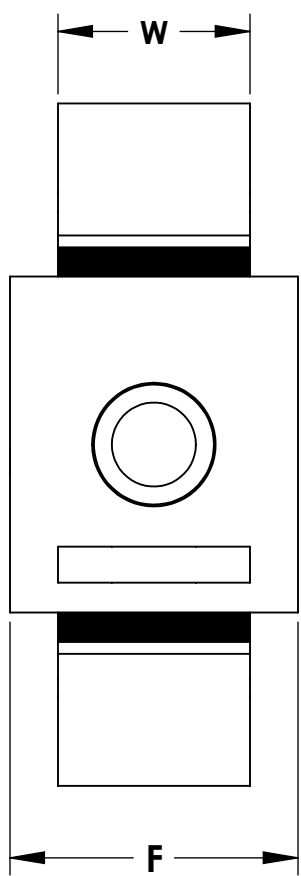
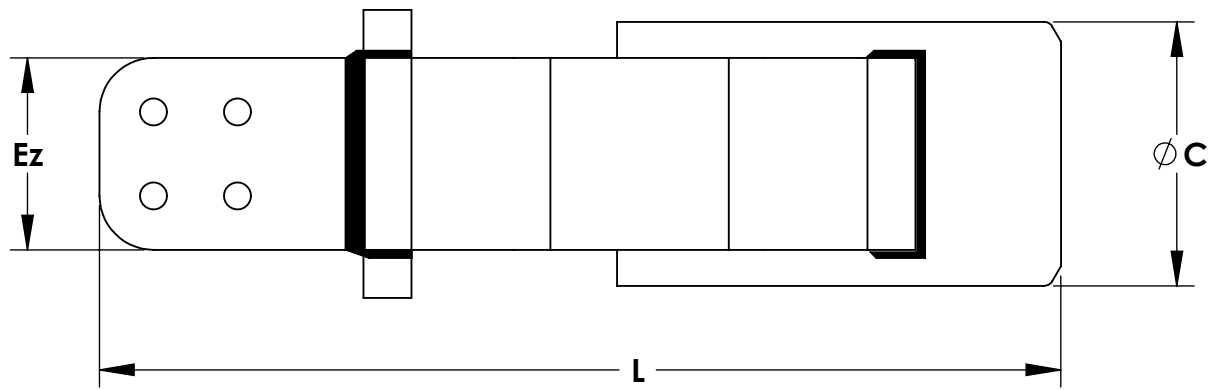
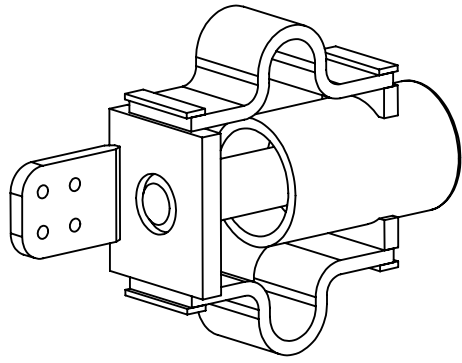


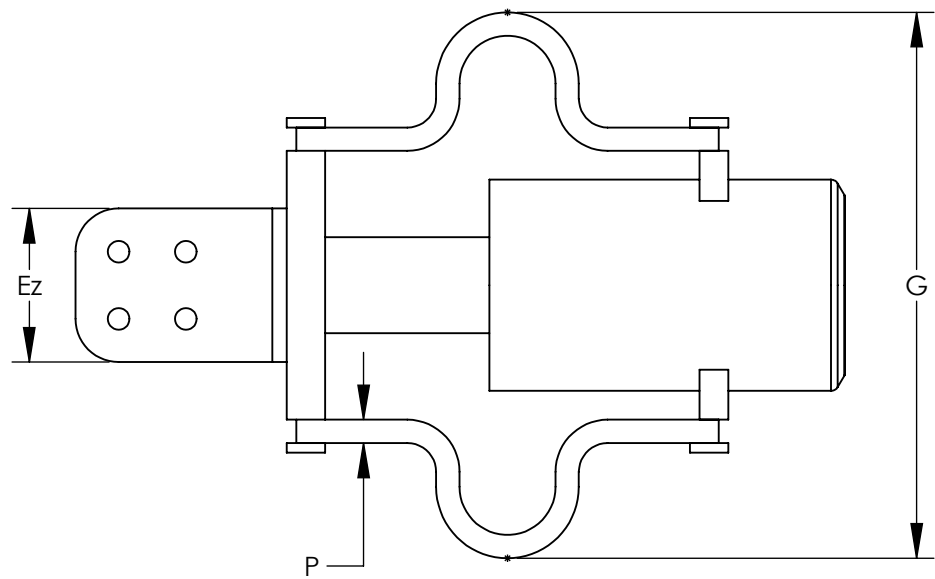
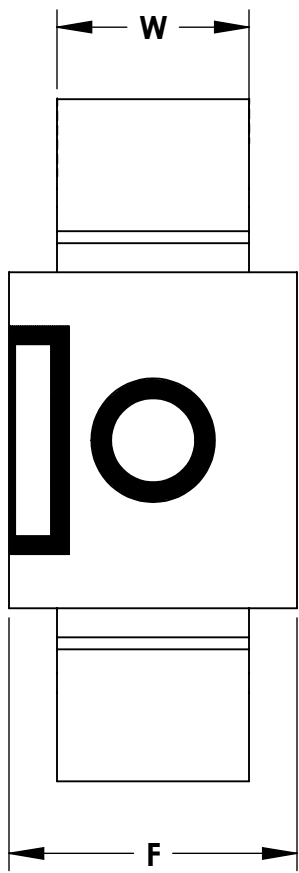
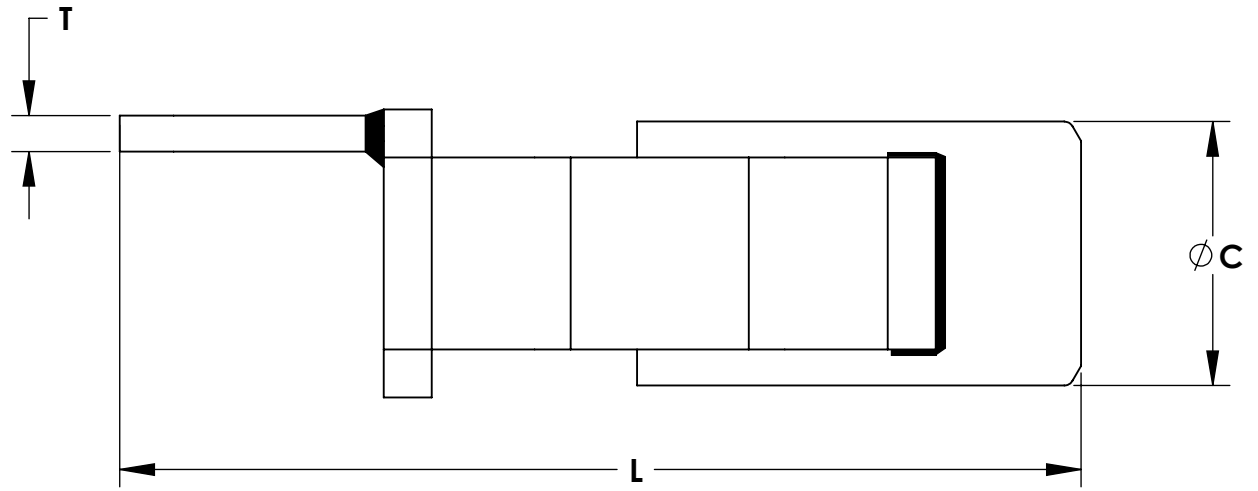
THIS VIEW IS SHOWING THE POSITION OF THE NEMA PAD



THIS DRAWING AND THE INFORMATION CONTAINED HEREIN ARE THE PROPERTY OF DMCPower AND SHALL NOT BE COPIED, REPRODUCED OR DISCLOSED WITHOUT EXPRESS AUTHORIZATION BY DMCPower.



THIS VIEW IS SHOWING THE POSITION OF THE NEMA PAD

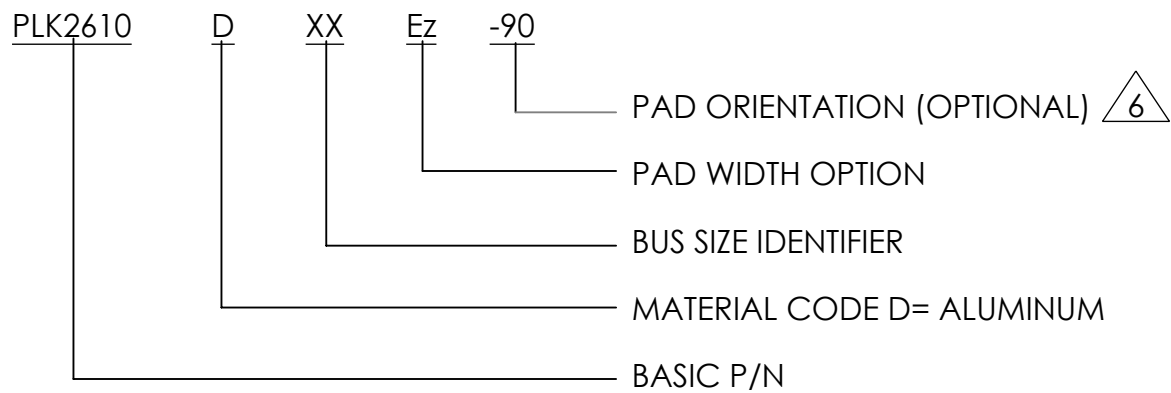


-90 CONFIGURATION SHOWN ON THIS PAGE

TABLE: AVAILABLE OPTIONS

ASSEMBLY PART NUMBER	BUS SIZE	ØC	PAD OPTION	Ez	F	G	L	P	T	W
PLK2610D16E1	1"	2.000	E1	4.000	3.000	10.384	20.030	0.192	3/8"	2.000
PLK2610D16E2			E2	3.000						
PLK2610D24E0	1-1/2"	2.500	E0	2.000	3.000	11.076	20.030	0.288	1/2"	2.000
PLK2610D24E1			E1	4.000						
PLK2610D24E2			E2	3.000						
PLK2610D32E0	2"	3.000	E0	2.000	4.000	11.832	20.030	0.416	1/2"	2.000
PLK2610D32E1			E1	4.000						
PLK2610D32E2			E2	3.000						
PLK2610D40E0	2-1/2"	3.750	E0	2.000	5.000	12.390	20.030	0.320	5/8"	4.000
PLK2610D40E1			E1	4.000						
PLK2610D40E2			E2	3.000						
PLK2610D40E3			E3	5.000						
PLK2610D48E0	3	4.375	E0	2.000	5.000	13.207	#REF!	0.416	3/4"	4.000
PLK2610D48E1			E1	4.000						
PLK2610D48E2			E2	3.000						
PLK2610D48E3			E3	5.000						
PLK2610D56E0	3-1/2	5.000	E0	2.000	6.000	14.024	#REF!	0.512	3/4"	4.000
PLK2610D56E1			E1	4.000						
PLK2610D56E2			E2	3.000						
PLK2610D56E3			E3	5.000						
PLK2610D56E4			E4	6.000						
PLK2610D64E1	4	5.500	E1	4.000	6.000	14.716	#REF!	0.608	3/4"	4.000
PLK2610D64E2			E2	3.000						
PLK2610D64E3			E3	5.000						
PLK2610D64E4			E4	6.000						
PLK2610D80E1	5	6.500	E1	4.000	7.000	16.17	#REF!	0.832	1"	4.000
PLK2610D80E2			E2	3.000						
PLK2610D80E3			E3	5.000						
PLK2610D80E4			E4	6.000						
PLK2610D96E1	6	8.000	E1	4.000	8.500	17.736	#REF!	0.608	1-1/4"	6.000
PLK2610D96E2			E2	3.000						
PLK2610D96E3			E3	5.000						
PLK2610D96E4			E4	6.000						

LEGEND



THIS DRAWING AND THE INFORMATION CONTAINED HEREIN ARE THE PROPERTY OF DMCPower AND SHALL NOT BE COPIED, REPRODUCED OR DISCLOSED WITHOUT EXPRESS AUTHORIZATION BY DMCPower.