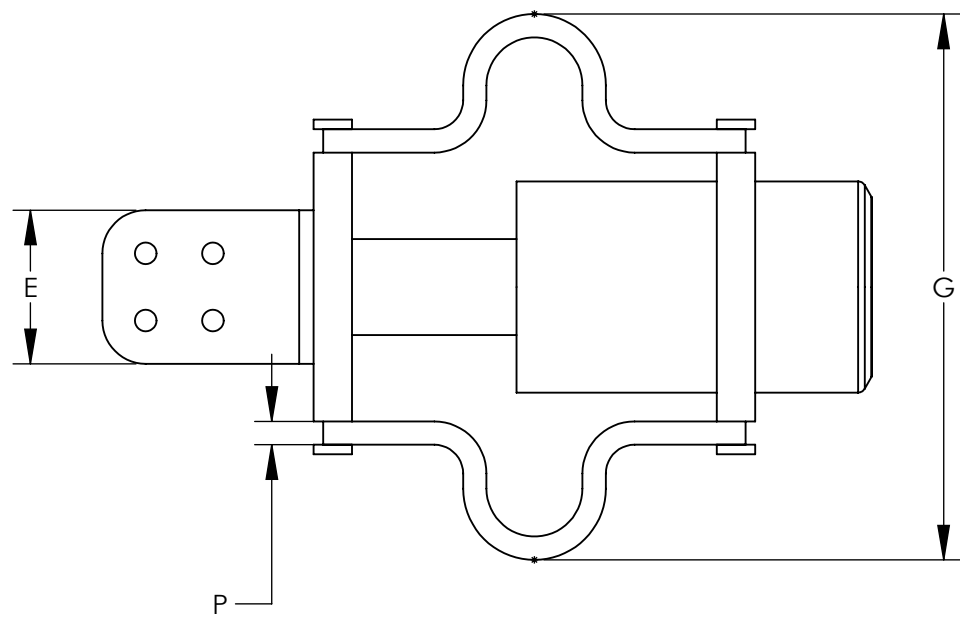
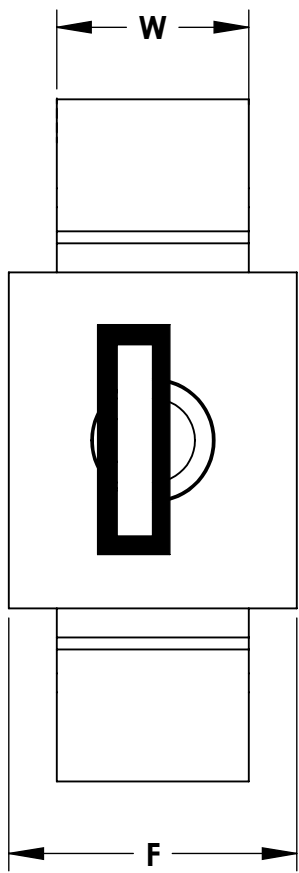
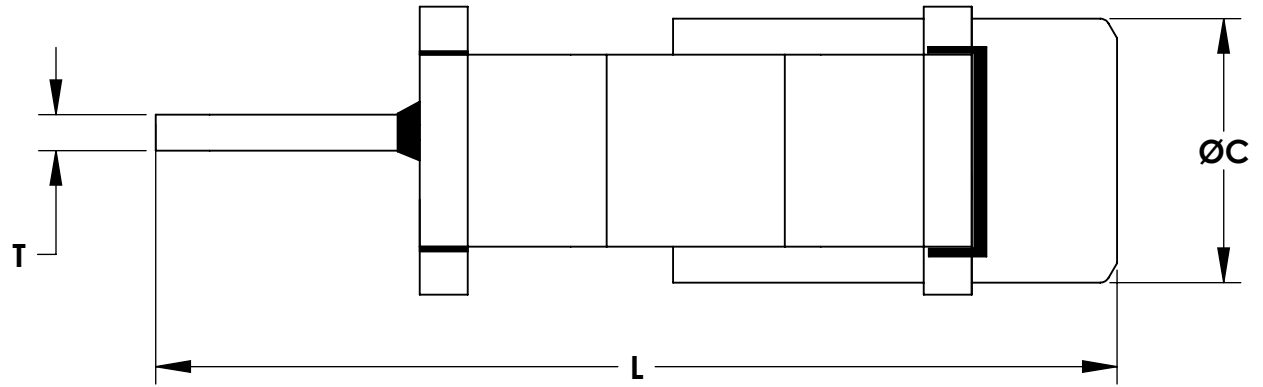
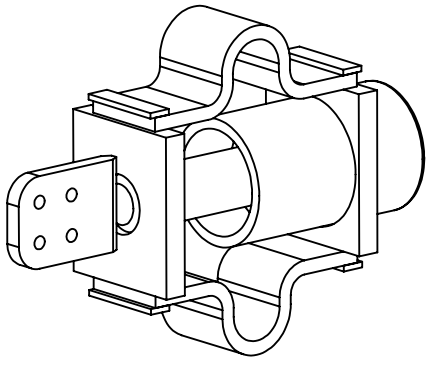


THIS DRAWING AND THE INFORMATION CONTAINED HEREIN ARE THE PROPERTY OF DMCPower AND SHALL NOT BE COPIED, REPRODUCED OR DISCLOSED WITHOUT EXPRESS AUTHORIZATION BY DMCPower.



-90 CONFIGURATION SHOWN ON THIS PAGE

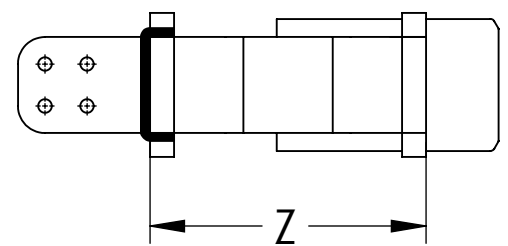
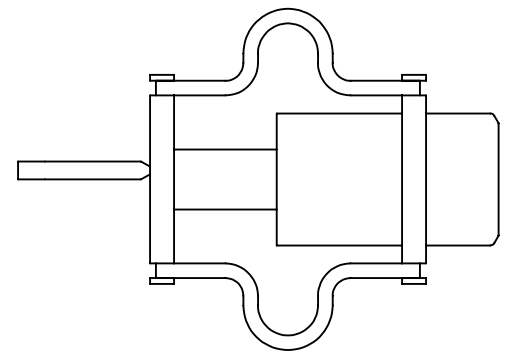
THIS DRAWING AND THE INFORMATION CONTAINED HEREIN ARE THE PROPERTY OF DMCPower AND SHALL NOT BE COPIED, REPRODUCED OR DISCLOSED WITHOUT EXPRESS AUTHORIZATION BY DMCPower.

**TABLE: SETTING DIMENSION FOR EXPANSION JOINT**

BUS TEMP. [°F]	MOVEMENT FROM MEDIAN [in]	Z DIMENSION
-65	-2.211	13.711
-60	-2.141	13.641
-50	-2.001	13.501
-40	-1.860	13.360
-30	-1.720	13.220
-20	-1.580	13.080
-10	-1.439	12.939
0	-1.299	12.799
10	-1.158	12.658
20	-1.018	12.518
30	-0.878	12.378
40	-0.737	12.237
50	-0.597	12.097
60	-0.456	11.956
70	-0.316	11.816
80	-0.176	11.676
90	-0.035	11.535
100	0.105	11.395
110	0.246	11.254
120	0.386	11.114
130	0.527	10.974
140	0.667	10.833
150	0.807	10.693
160	0.948	10.552
170	1.088	10.412
180	1.229	10.272
190	1.369	10.131
200	1.509	9.991
210	1.650	9.850
220	1.790	9.710
230	1.931	9.570
240	2.071	9.429
250	2.211	9.289

**TABLE 4**

MAX. TEMP. [°F]	250
MIN. TEMP. [°F]	-65
BUS LENGTH [ft]	90
TEMP. RANGE [°F]	315
MEDIAN TEMP. [°F]	92.5
BUS TRAVEL [in]	4.42
SLOPE	0.01404
Y-INTERCEPT	-1.299



**THIS CHART ASSUMES THE TOTAL LENGTH OF BUS BETWEEN RIGID BUS SUPPORTS IS 90 FEET OR LESS. THE "Z" DIMENSION SHOULD BE SET ACCORDING TO THE TEMPERATURE OF THE BUS.**

THIS DRAWING AND THE INFORMATION CONTAINED HEREIN ARE THE PROPERTY OF DMCPOWER AND SHALL NOT BE COPIED, REPRODUCED OR DISCLOSED WITHOUT EXPRESS AUTHORIZATION BY DMCPOWER.

**TABLE: AVAILABLE OPTIONS**

ASSEMBLY PART NUMBER	BUS SIZE	ØC	PAD OPTION	E	F	G	L	P	T	W	
PLK2600D16E0	1"	2.000	E0	2.000	2.000	10.384	19.030	0.192	3/8"	2.000	
PLK2600D16E1			E1	4.000			19.530				
PLK2600D16E2			E2	3.000							
PLK2600D20E2	1-1/4"	2.500	E2	3.000	3.000	11.076	19.530	0.288	3/8"	2.000	
PLK2600D24E0	1-1/2"	2.500	E0	2.000	3.000	11.076	19.030	0.288	1/2"	2.000	
PLK2600D24E1			E1	4.000	4.000		19.530				
PLK2600D24E2			E2	3.000	3.000						
PLK2600D32E0	2"	3.000	E0	2.000	3.000	11.832	19.030	0.416	1/2"	2.000	
PLK2600D32E1			E1	4.000	4.000		19.530				
PLK2600D32E2			E2	3.000	3.000						
PLK2600D40E0	2-1/2"	3.750	E0	2.000	4.000	12.390	19.030	0.320	5/8"	4.000	
PLK2600D40E1			E1	4.000			19.530				
PLK2600D40E2			E2	3.000							
PLK2600D40E3			E3	5.000			5.000				
PLK2600D48E0	3	4.375	E0	2.000	4.000	13.207	19.030	0.416	3/4"	4.000	
PLK2600D48E1			E1	4.000			19.530				
PLK2600D48E1T			E1	4.000			20.530				
PLK2600D48E2			E2	3.000			19.530				
PLK2600D48E3			E3	5.000			5.000				
PLK2600D56E0	3-1/2	5.000	E0	2.000	4.000	14.024	19.030	0.512	3/4"	4.000	
PLK2600D56E1			E1	4.000							
PLK2600D56E2			E2	3.000			19.530				
PLK2600D56E3			E3	5.000			6.000				
PLK2600D56E4			E4	6.000							
PLK2600D64E1	4	5.500	E1	4.000	4.000	14.716	#REF!	0.608	3/4"	4.000	
PLK2600D64E2			E2	3.000							
PLK2600D64E3			E3	5.000	6.000						
PLK2600D64E4			E4	6.000							
PLK2600D80E1	5	6.500	E1	4.000	4.000	16.17	#REF!	0.832	1"	4.000	
PLK2600D80E2			E2	3.000							
PLK2600D80E3			E3	5.000	6.000						
PLK2600D80E4			E4	6.000							
PLK2600D96E1	6	8.000	E1	4.000	6.000	17.736	#REF!	0.608	1-1/4"	6.000	
PLK2600D96E2			E2	3.000							
PLK2600D96E3			E3	5.000							
PLK2600D96E4			E4	6.000							

**LEGEND**

