

S HOLES 8X $\frac{1}{8}$
EQUALLY SPACED
ON E_y B.C.

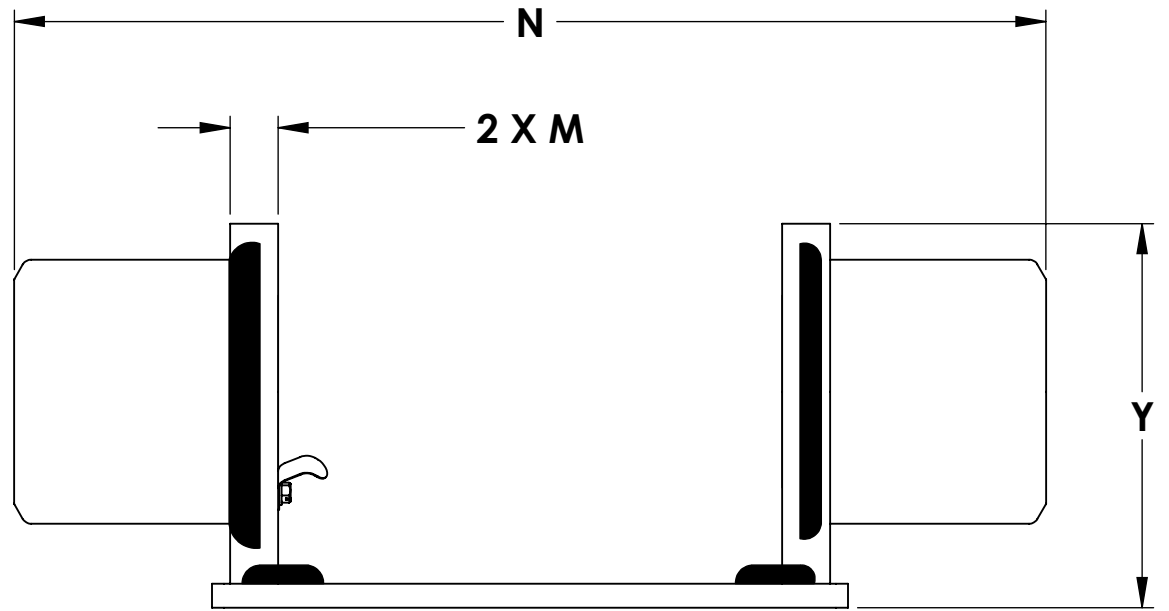
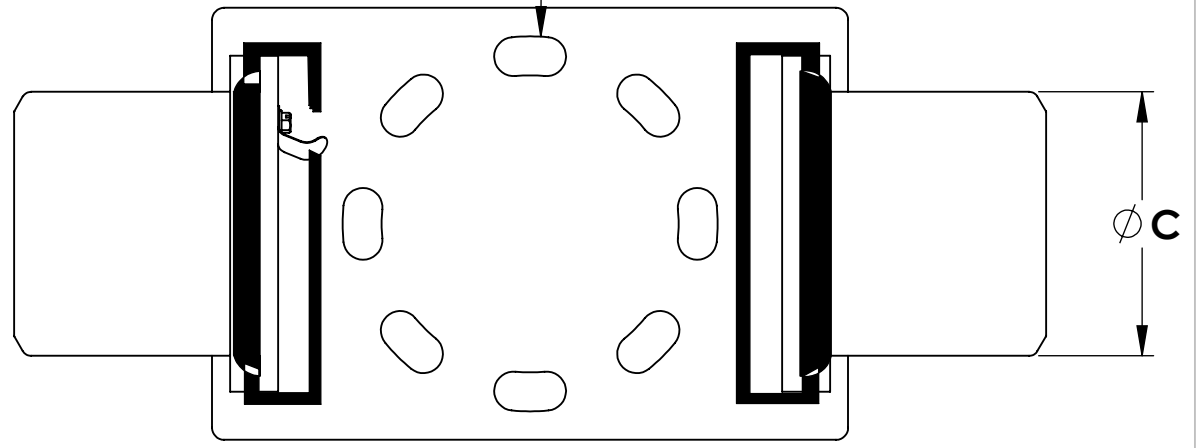


FIGURE 1

THIS DRAWING AND THE INFORMATION CONTAINED HEREIN ARE THE PROPERTY OF DMCPower AND SHALL NOT BE COPIED, REPRODUCED OR DISCLOSED WITHOUT EXPRESS AUTHORIZATION BY DMCPower.

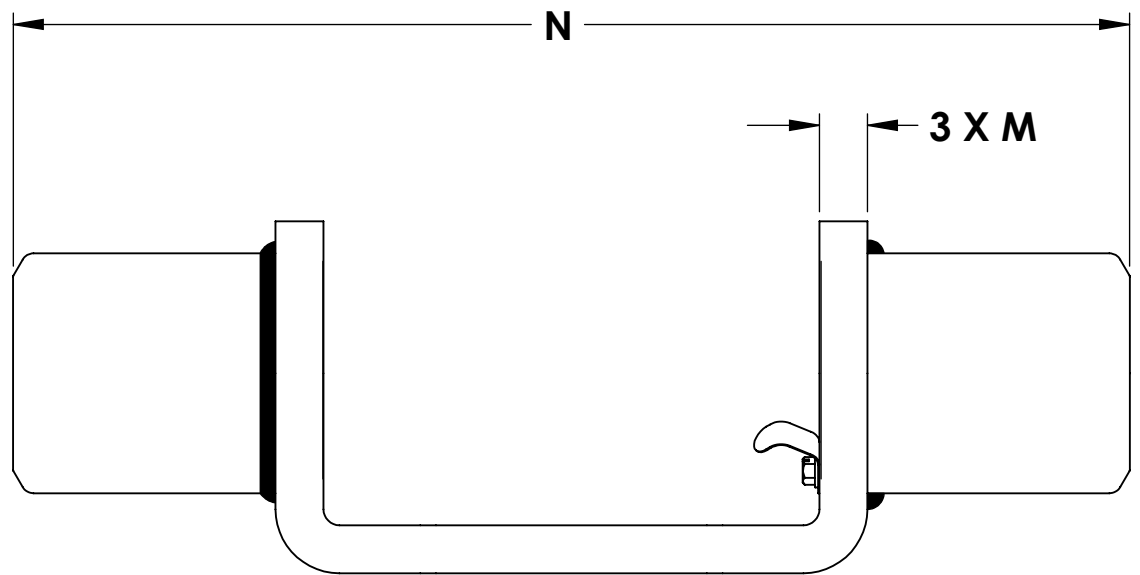
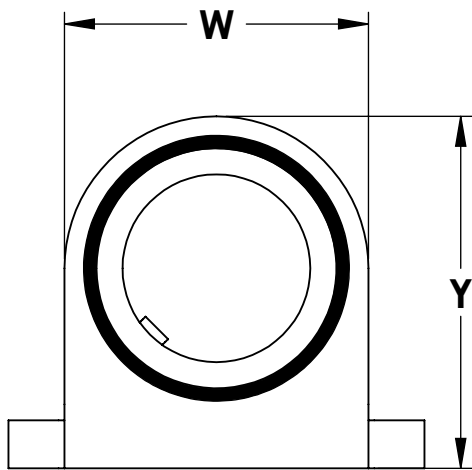
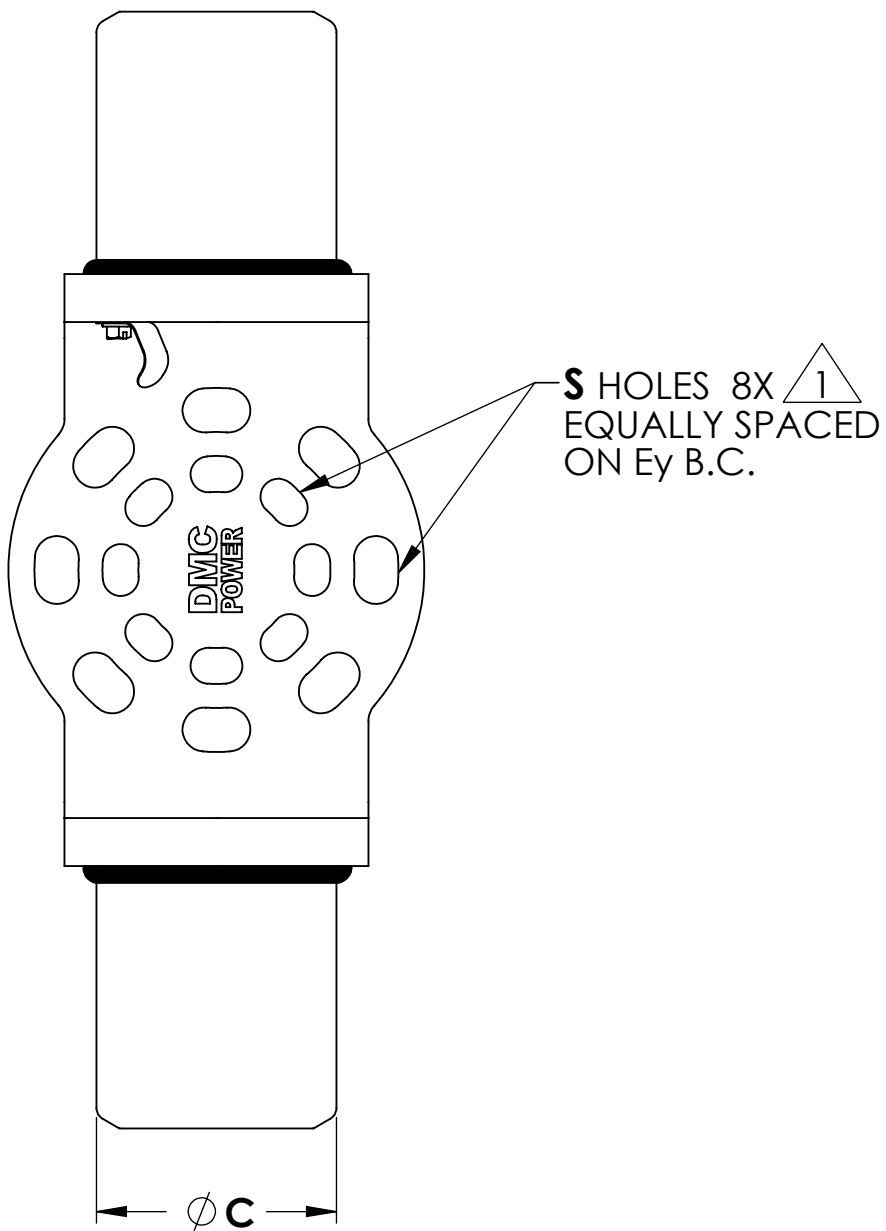
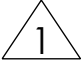
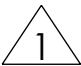


FIGURE 2

TABLE: AVAILABLE OPTIONS

| PART NUMBER  | BUS SIZE (NPS) | Ø C | FIGURE | Ø Ey | M | N | S 8X | Y | W |
|--|----------------|-------|--------|----------|------|-------|------------------------------------|--------|-------|
| PLK2210D16E1 | 1" | 2.000 | 2 | 3" | 1/2" | 13.75 | 9/16" X 13/16" | 3.500 | 3.000 |
| PLK2210D16E2 | 1" | 2.000 | 1 | 5" | 1/2" | 17.00 | 11/16" X 1-1/16" | 3.750 | 3.000 |
| PLK2210D24E12 | 1-1/2" | 2.500 | 2 | 3" 5" | 3/4" | 16.60 | 9/16" X 13/16" 11/16" X 1-1/16" | 4.250 | 3.500 |
| PLK2210D32E12 | 2" | 3.000 | 2 | 3" 5" | 3/4" | 16.70 | 9/16" X 13/16" 11/16" X 1-1/16" | 4.750 | 4.000 |
| PLK2210D40E12 | 2-1/2" | 3.750 | 2 | 3" 5" | 3/4" | 17.20 | 9/16" X 13/16" 11/16" X 1-1/16" | 5.500 | 4.750 |
| PLK2210D48E12 | 3" | 4.375 | 2 | 3" 5" | 3/4" | 17.65 | 9/16" X 13/16" 11/16" X 1-1/16" | 6.375 | 5.500 |
| PLK2210D48E3 | 3" | 4.375 | 1 | 7" | 1" | 19.65 | 13/16" X 1-1/2" | 6.625 | 6.000 |
| PLK2210D56E3 | 3-1/2" | 5.000 | 1 | 7" | 1" | 20.25 | 13/16" X 1-1/2" | 7.000 | 6.000 |
| PLK2210D64E3 | 4" | 5.500 | 2 | 7" | 1" | 20.25 | 13/16" X 1-1/2" | 8.000 | 7.000 |
| PLK2210D80E1 | 5" | 6.500 | 1 | 3" | 1" | 23.50 | 9/16" X 13/16" | 9.000 | 8.000 |
| PLK2210D80E12 | 5" | 6.500 | 1 | 3" & 5" | 1" | 25.50 | 9/16" X 13/16" 11/16" X 1-1/16" | 9.000 | 8.000 |
| PLK2210D96E10 | 6" | 8.000 | 1 | 10-3/8" | 1" | 32.00 | 11/16" X 1-1/16" | 10.750 | 9.000 |

| SUFFIX  | BOLT CIRCLE | SLOT SIZE |
|---|-------------|----------------|
| E1 | 3.00 | 9/16 X 13/16 |
| E2 | 5.00 | 11/16 X 1-1/16 |
| E3 | 7.00 | 13/16 X 1-1/2 |
| E12 | 3.00 | 9/16 X 13/16 |
| | 5.00 | 11/16 X 1-1/16 |

LEGEND:

