

8 HOLES 8X
EQUALLY SPACED
ON **E_y** BC

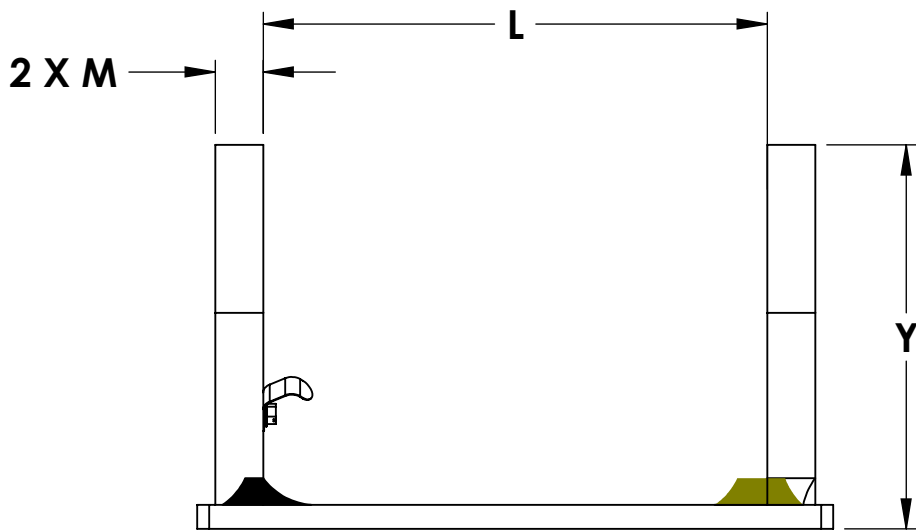
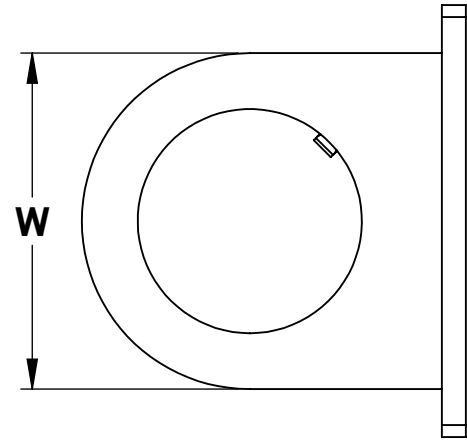


FIGURE 1

THIS DRAWING AND THE INFORMATION CONTAINED HEREIN ARE THE PROPERTY OF DMCPower AND SHALL NOT BE COPIED, REPRODUCED OR DISCLOSED WITHOUT EXPRESS AUTHORIZATION BY DMCPower.

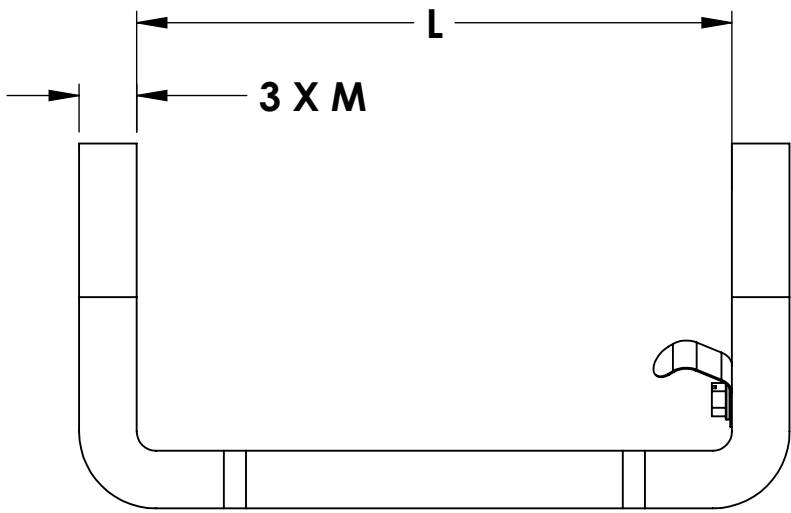
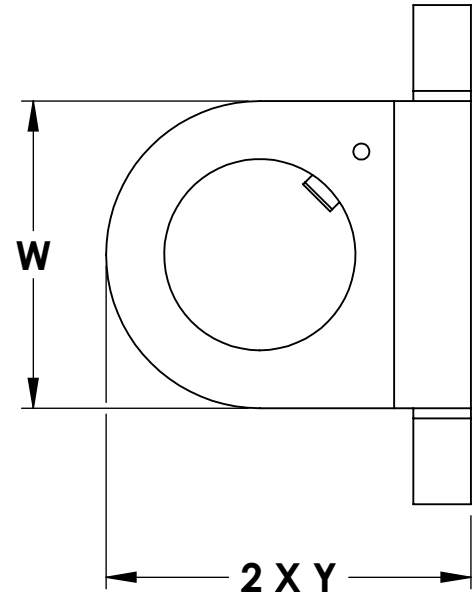
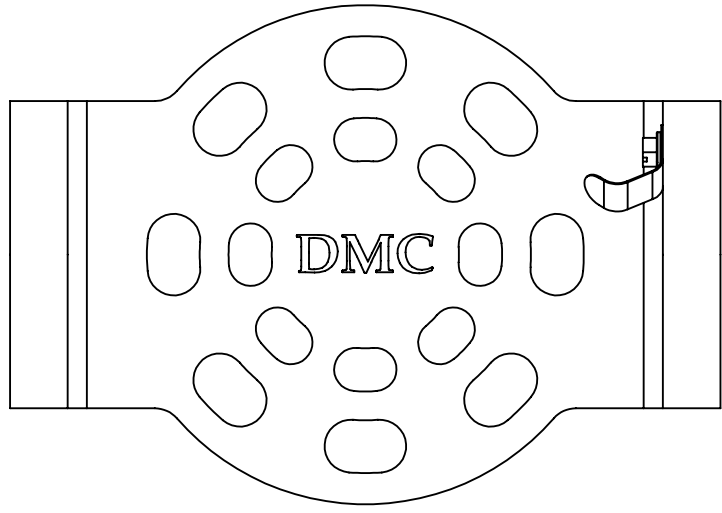


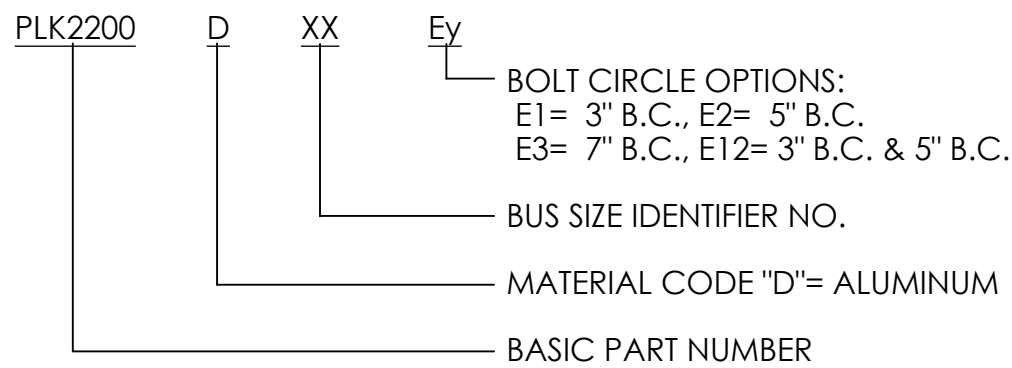
FIGURE 2

THIS DRAWING AND THE INFORMATION CONTAINED HEREIN ARE THE PROPERTY OF DMCPower AND SHALL NOT BE COPIED, REPRODUCED OR DISCLOSED WITHOUT EXPRESS AUTHORIZATION BY DMCPower.

TABLE: AVAILABLE OPTIONS

PowerLok ASSEMBLY PART NUMBER	PIPE SIZE (NPS)	FIGURE	Ey DIA	L	M	S 8X	Y	W
			IN					
PLK2200D16E1	1"	2	3"	5.50	1/2"	9/16" X 13/16"	3.500	3.000
PLK2200D16E2		1	5"	8.50		11/16" X 1-1/16"	3.750	
PLK2200D24E12	1-1/2"	2	3"	7.75	3/4"	9/16" X 13/16"	4.250	3.500
			5"			11/16" X 1-1/16"		
PLK2200D32E12	2"	2	3"	7.75	3/4"	9/16" X 13/16"	4.750	4.000
			5"			11/16" X 1-1/16"		
PLK2200D40E12	2-1/2"	2	3"	7.75	3/4"	9/16" X 13/16"	5.500	4.750
			5"			11/16" X 1-1/16"		
PLK2200D48E3	3"	1	7"	9.25	1"	13/16" X 1-1/2"	6.625	6.000
PLK2200D56E3	3-1/2"	1	7"	9.25	1"	13/16" X 1-1/2"	7.000	6.000
PLK2200D64E3	4"	2	7"	9.25	1"	13/16" X 1-1/2"	8.000	7.000
PLK2200D80E1	5"	1	3"	6.50	1"	9/16" X 13/16"	9.000	8.000

LEGEND



THIS DRAWING AND THE INFORMATION CONTAINED HEREIN ARE THE PROPERTY OF DMCPOWER AND SHALL NOT BE COPIED, REPRODUCED OR DISCLOSED WITHOUT EXPRESS AUTHORIZATION BY DMCPOWER.