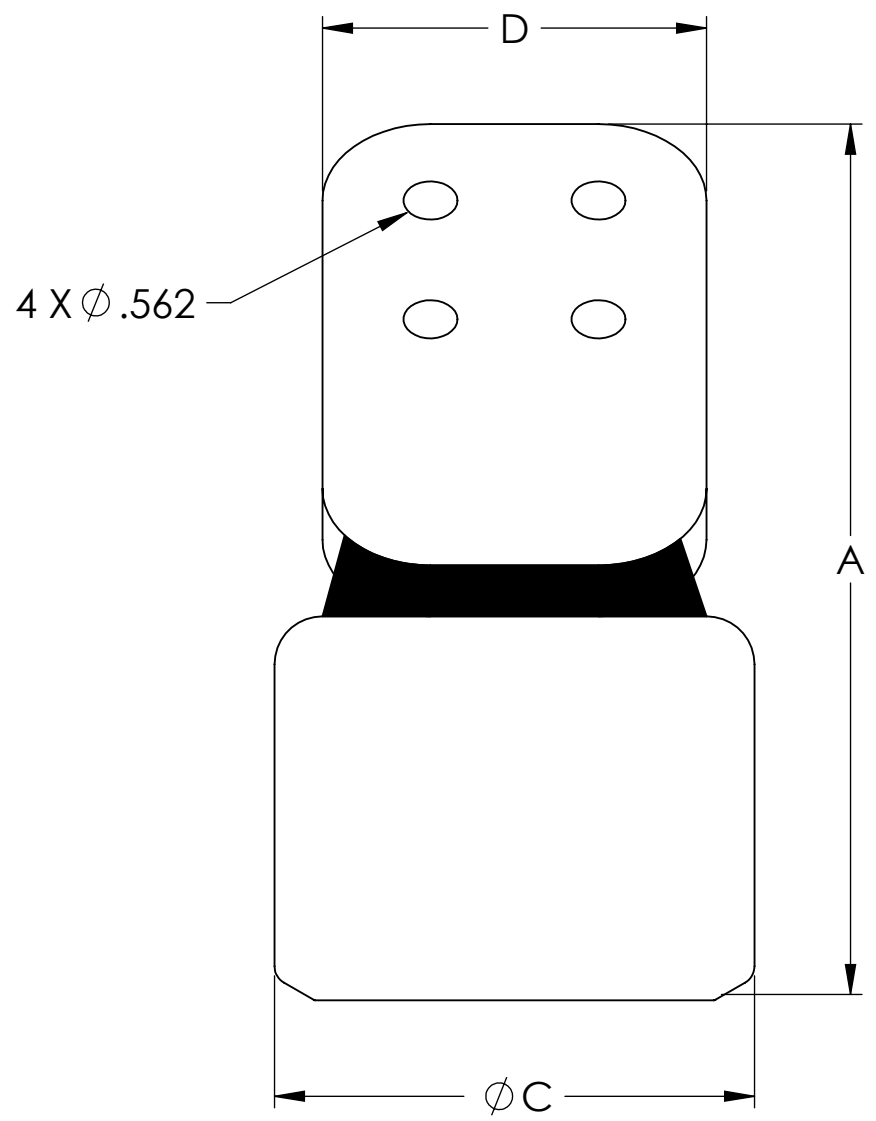
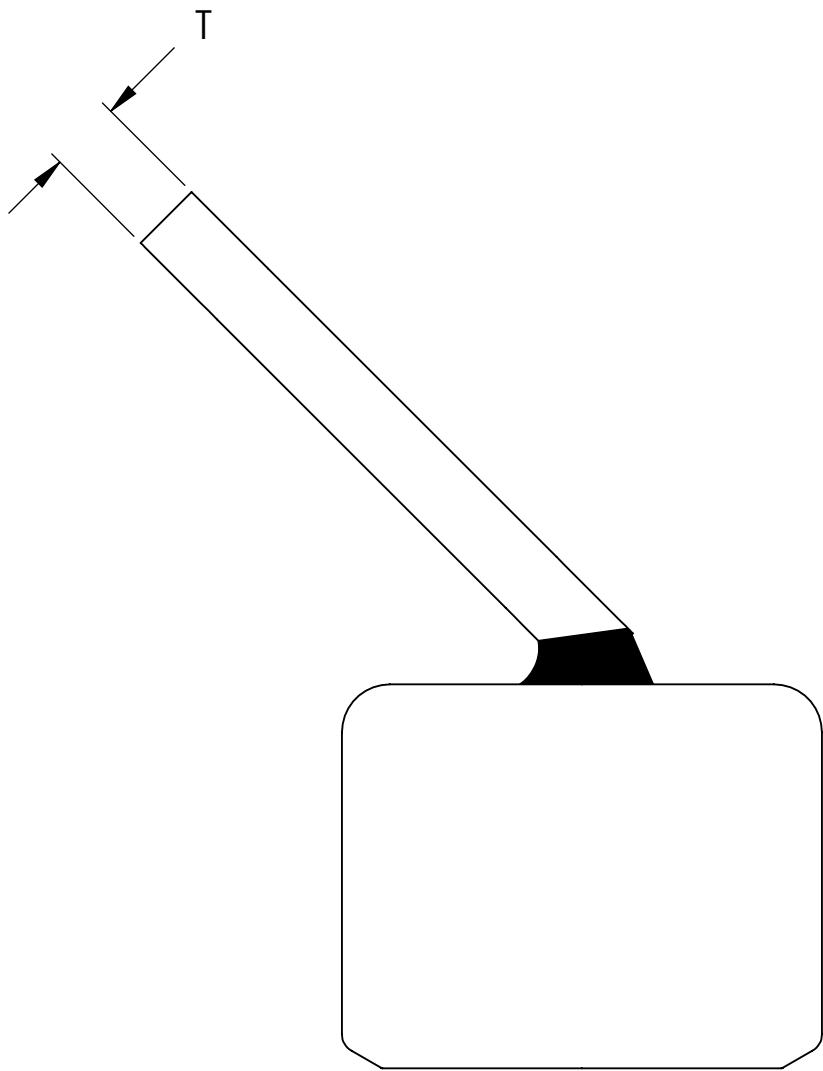


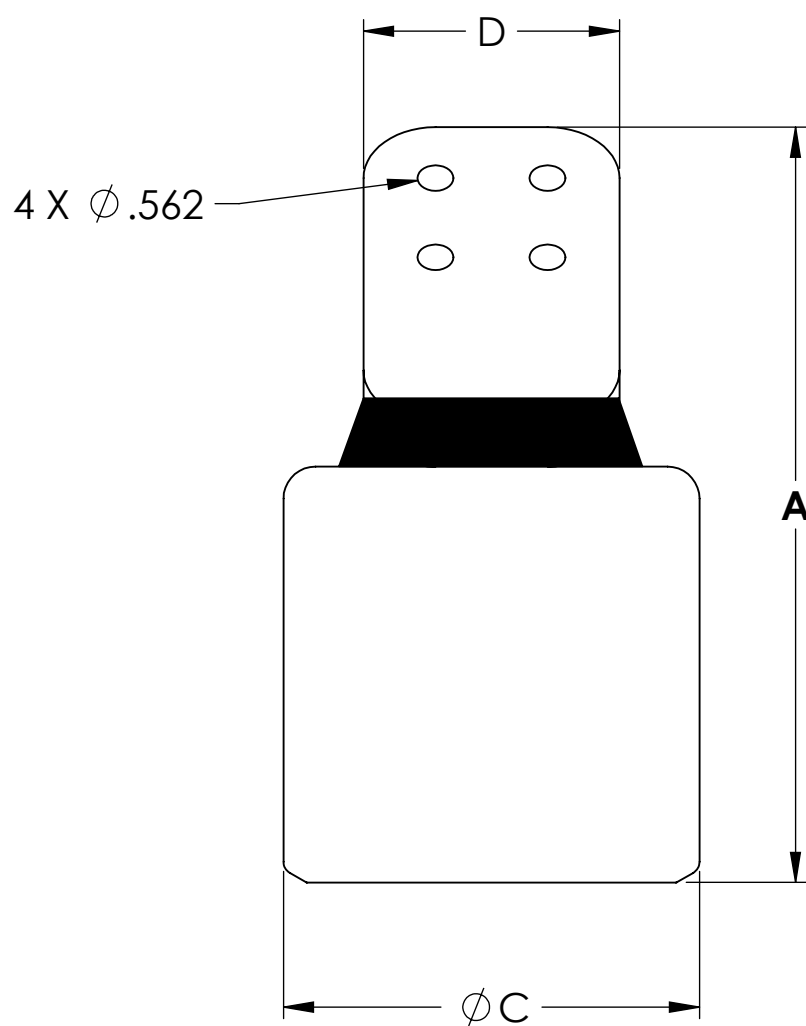
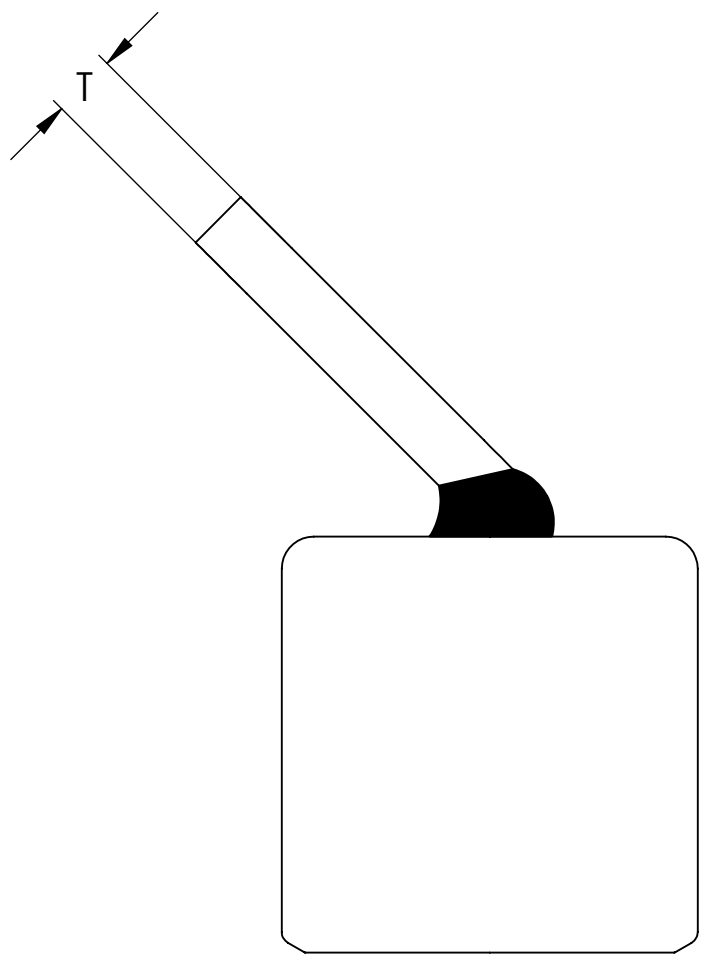
- FIGURE A -
SIZE 16, 24, 32 & 40

THIS DRAWING AND THE INFORMATION CONTAINED HEREIN ARE THE PROPERTY OF DMCPower AND SHALL NOT BE COPIED, REPRODUCED OR DISCLOSED WITHOUT EXPRESS AUTHORIZATION BY DMCPower.



- FIGURE B -
SIZES: 32 THRU 64

THIS DRAWING AND THE INFORMATION CONTAINED HEREIN ARE THE PROPERTY OF DMCPower AND SHALL NOT BE COPIED, REPRODUCED OR DISCLOSED WITHOUT EXPRESS AUTHORIZATION BY DMCPower.



- FIGURE C -
SIZE 80 & 96

THIS DRAWING AND THE INFORMATION CONTAINED HEREIN ARE THE PROPERTY OF DMCPower AND SHALL NOT BE COPIED, REPRODUCED OR DISCLOSED WITHOUT EXPRESS AUTHORIZATION BY DMCPower.

TABLE: AVAILABLE OPTIONS							
ASSEMBLY PART NO.	SIZE:	PIPE SIZE: (NPS)	ØC	T	D	A	APPLIC. FIGURE
PLK1860D16A	16	1"	2.000	0.375	3.00	7.508	A
PLK1860D16B			2.000	0.375	4.00	7.508	
PLK1860D20A	20	1-1/4"	2.500	0.500	3.00	7.596	A
PLK1860D20B			2.500	0.500	4.00	7.596	
PLK1860D24A	24	1-1/2"	2.500	0.500	3.00	7.596	A
PLK1860D24B			2.500	0.500	4.00	7.596	
PLK1860D32A	32	2"	3.000	0.500	3.00	8.096	A
PLK1860D32B			3.000	0.500	4.00	8.096	B
PLK1860D40A	40	2-1/2"	3.750	0.625	3.00	8.185	A
PLK1860D40B			3.750	0.625	4.00	8.185	B
PLK1860D48A	48	3"	4.375	0.750	3.00	9.127	B
PLK1860D48B			4.375	0.750	4.00	9.127	
PLK1860D56A	56	3-1/2"	5.000	0.750	3.00	9.127	B
PLK1860D56B			5.000	0.750	4.00	9.127	
PLK1860D64A	64	4"	5.500	0.750	3.00	9.127	B
PLK1860D64B			5.500	0.750	4.00	9.127	
PLK1860D80A	80	5"	6.500	1.000	3.00	14.053	C
PLK1860D80B			6.500	1.000	4.00	14.053	
PLK1860D96A	96	6"	8.000	1.250	3.00	15.480	C
PLK1860D96B			8.000	1.250	4.00	15.480	

LEGEND:

