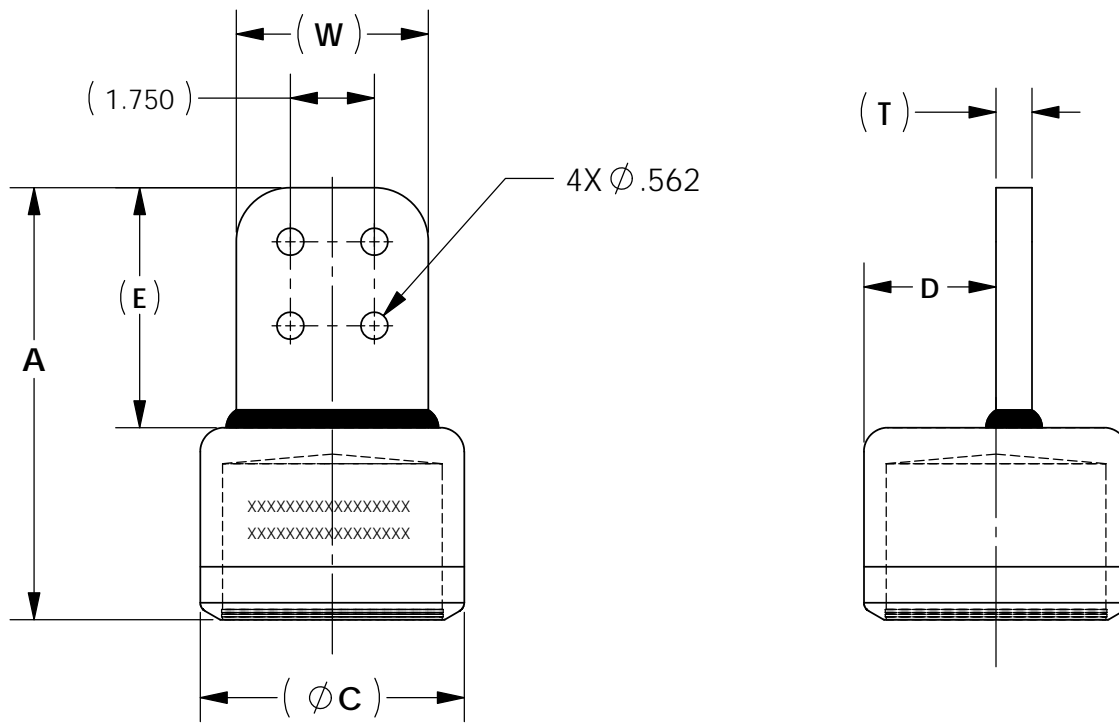
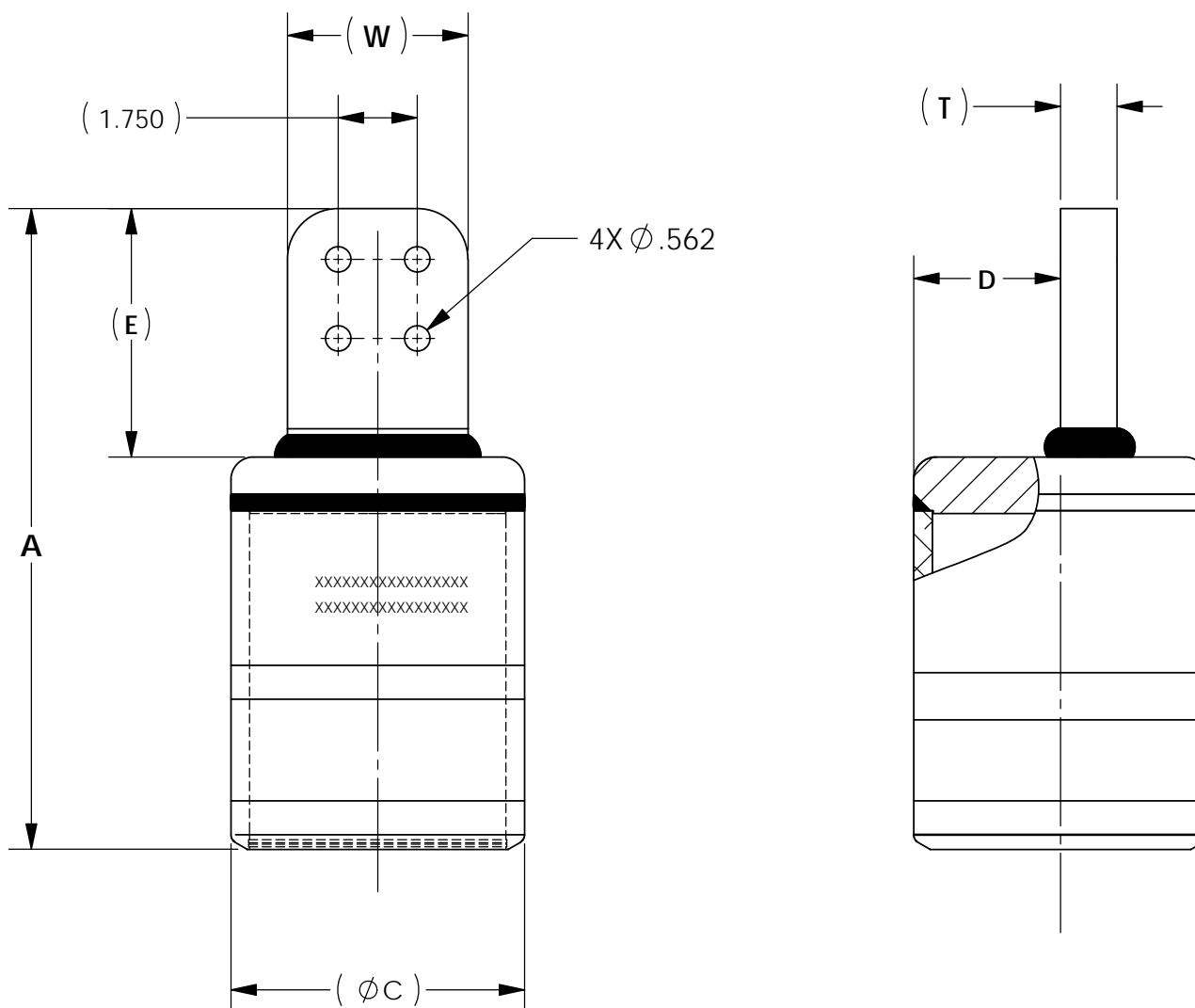


SIZES 16 THRU 64



SIZES 80 THRU 96

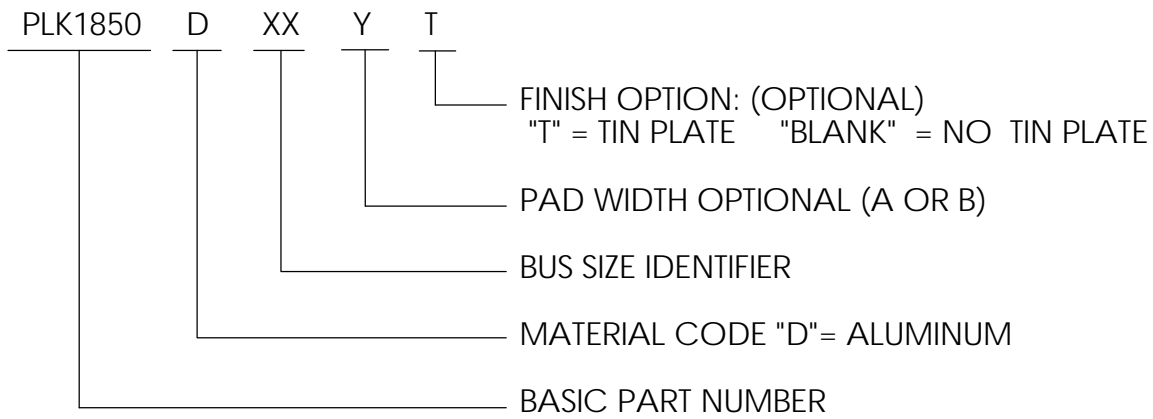


THIS DRAWING AND THE INFORMATION CONTAINED HEREIN ARE THE PROPERTY OF DMC Power AND SHALL NOT BE COPIED, REPRODUCED OR DISCLOSED WITHOUT EXPRESS AUTHORIZATION BY DMC Power.

TABLE 1: DIMENSIONS

ASSEMBLY PART NUMBER	BUS SIZE NPS	A ±.040	(ØC)	D ±.050	(E)	(T)	(W)		
PLK1850D16A	1"	8.500	2.000	1.000	5.500	3/8"	3.00		
PLK1850D16B							4.00		
PLK1850D20A	1-1/4"		2.500	1.250		1/2"	3.00		
PLK1850D20B							4.00		
PLK1850D24A	1-1/2"		9.000	3.000		1.500	1/2"	3.00	
PLK1850D24B								4.00	
PLK1850D32A	2"	3.750		1.875		5/8"	3.00		
PLK1850D32B							4.00		
PLK1850D32BT							4.00		
PLK1850D40A	2-1/2"	9.500		4.375		2.188	3/4"	3.00	
PLK1850D40B			4.00						
PLK1850D48A	3"		5.000	2.500		3/4"		3.00	
PLK1850D48B								4.00	
PLK1850D48BT								4.00	
PLK1850D56A	3-1/2"		9.500	5.500		2.750		3/4"	3.00
PLK1850D56B		4.00							
PLK1850D64A	4"	14.030		6.500		3.250	1"		3.00
PLK1850D64B									4.00
PLK1850D80A	5"			15.280	8.000	4.000	1-1/4"		3.00
PLK1850D80B									4.00
PLK1850D96A	6"		5.000		6.000	5.000		1-1/4"	3.00
PLK1850D96B									4.00
PLK1850D96D		6.00							

LEGEND



THIS DRAWING AND THE INFORMATION CONTAINED HEREIN ARE THE PROPERTY OF DMC Power AND SHALL NOT BE COPIED, REPRODUCED OR DISCLOSED WITHOUT EXPRESS AUTHORIZATION BY DMC Power.